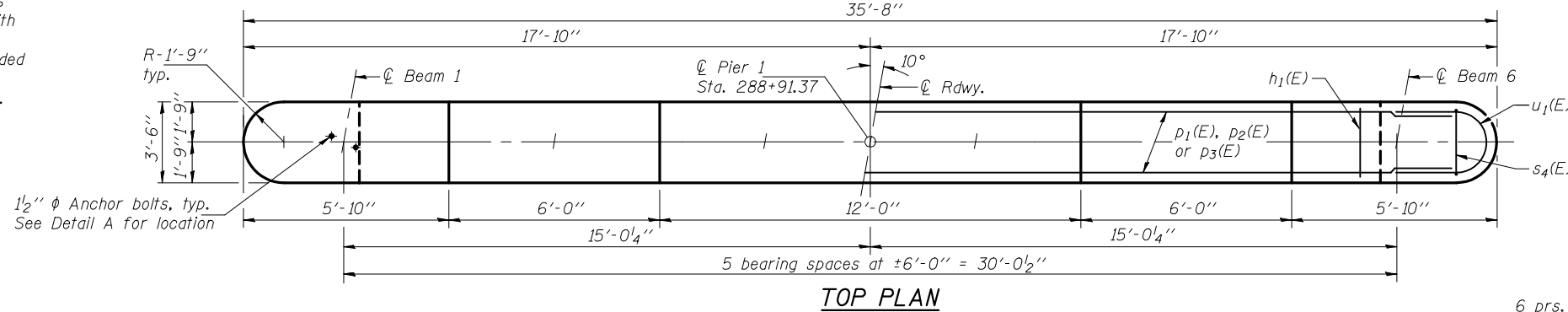
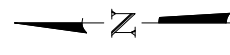
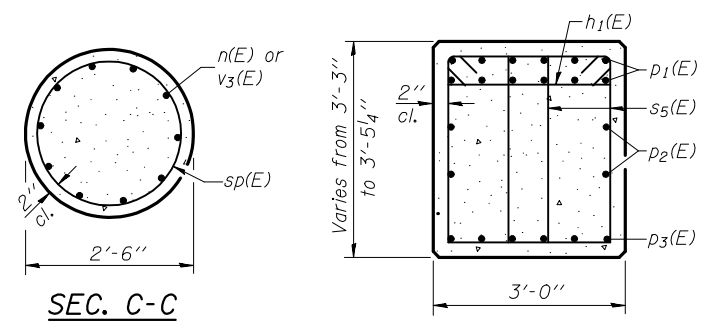


Notes: Space reinforcement in cap to miss anchor bolts.
 Four steps monolithically with cap.
 When splicing of spiral reinforcement is necessary, the spiral shall be provided with 1/2 extra turns at the ends to be spliced. These additional turns shall either be welded together according to AWS D1.4 or shall both terminate with a 135° standard hook.

STATE OF ILLINOIS
 DEPARTMENT OF TRANSPORTATION

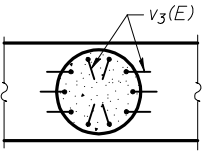


TOP PLAN



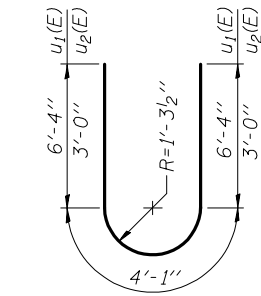
SEC. C-C

SEC. A-A

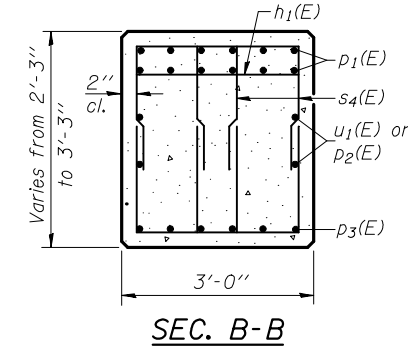


DETAIL B

Plan view of partial cap showing hook orientation of v3(E) bars.



BARS u1(E) & u2(E)

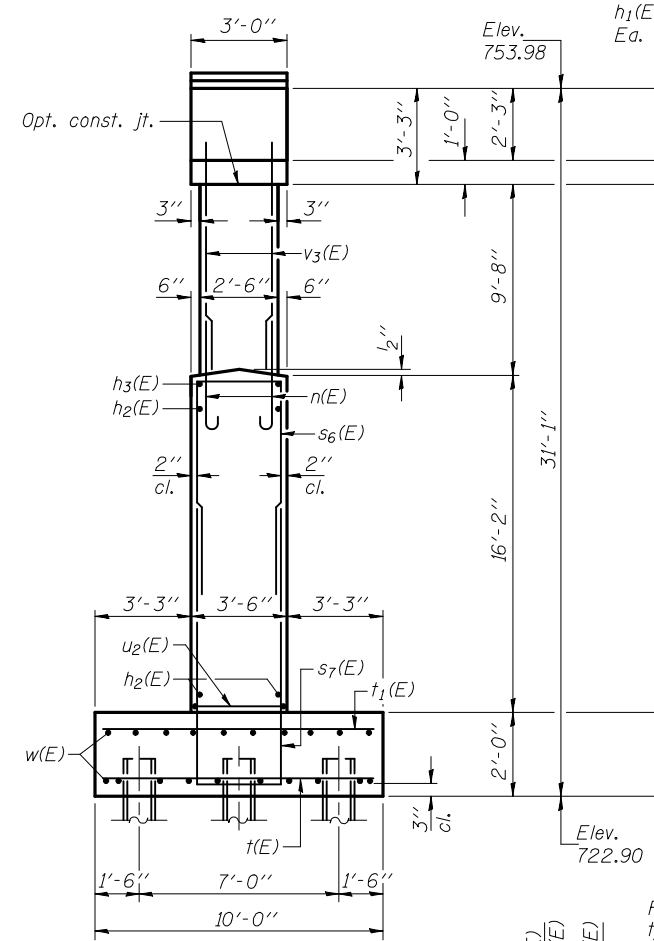


SEC. B-B

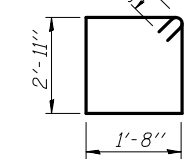
BILL OF MATERIAL

Bar	No.	Size	Length	Shape
h1(E)	17	#4	2'-8"	—
h2(E)	32	#5	25'-6"	—
h3(E)	3	#8	25'-6"	—
n(E)	30	#9	9'-6"	U
n1(E)	10	#5	4'-2"	U
p1(E)	12	#8	32'-2"	—
p2(E)	4	#7	32'-2"	—
p3(E)	6	#8	35'-2"	—
s4(E)	48	#5	6'-10"	L
s5(E)	52	#5	10'-1"	□
s6(E)	27	#8	24'-0"	L
s7(E)	52	#8	27'-0"	L
sp(E)	3	#4	10'-0"	W
t(E)	48	#7	9'-6"	—
t1(E)	32	#7	9'-6"	—
u1(E)	6	#6	16'-9"	U
u2(E)	34	#5	10'-1"	U
v3(E)	30	#9	12'-11"	U
v4(E)	10	#5	13'-8"	—
w(E)	20	#5	30'-6"	—
Structure Excavation			Cu. Yd.	112
Concrete Structures			Cu. Yd.	103.7
Reinforcement Bars, Epoxy Coated			Pound	14880
Furnishing Steel Piles HP12x53			Foot	795
Driving Piles			Foot	795
Anchor Bolts 1 1/2"			Each	12

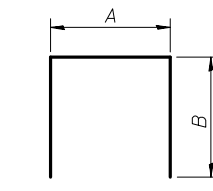
*Weight includes spacers for spirals.
 **Length is height of spiral.



ELEVATION (Looking east)



BAR s5(E)



BARS s4(E), s6(E) & s7(E)

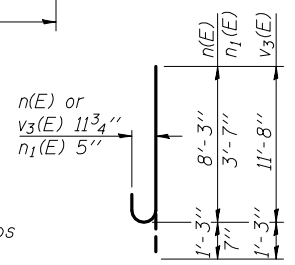
A & B DIMENSIONS

Bar	A	B
s4(E)	1'-8"	2'-7"
s6(E)	3'-2"	10'-5"
s7(E)	3'-2"	11'-11"

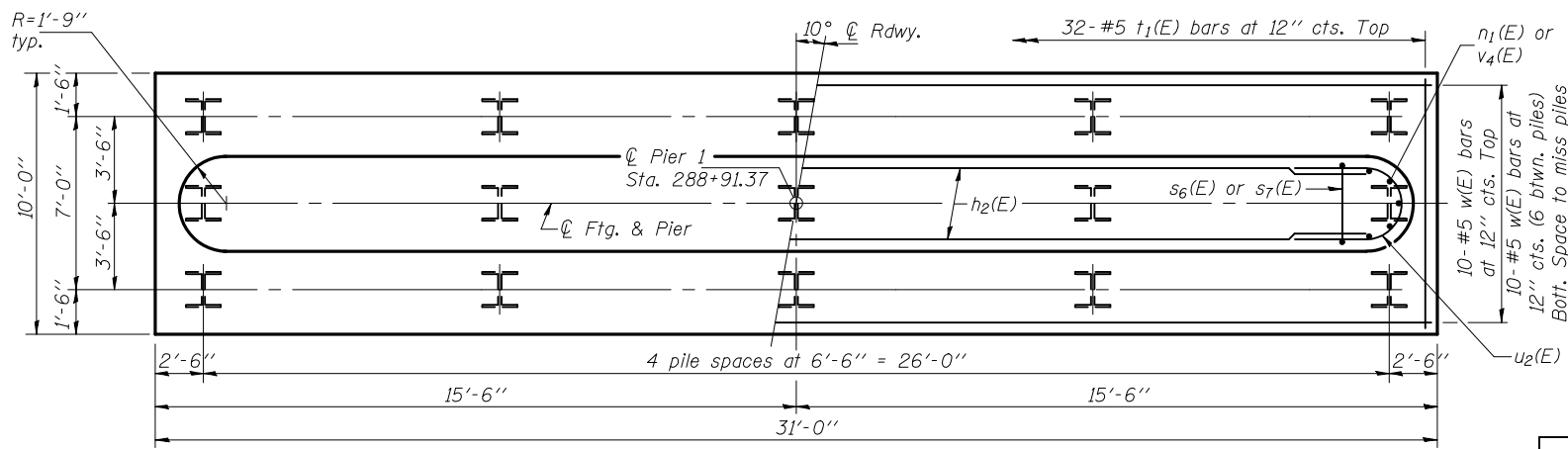
END VIEW

PILE DATA

Type: Steel HP12x53
 Nominal Required Bearing: 360 Kips
 Factored Resistance Available: 180 Kips
 Est. Length: 53'
 No. Production Piles: 15
 No. Test Piles: 0



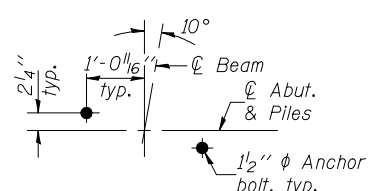
BARS n(E), n1(E) & v3(E)



FOOTING PLAN

MIN. BAR LAPS

#5 bar = 2'-2"
 #8 bar (lapped with #6 bar) = 6'-4"



DETAIL A

PIER 1
 STRUCTURE NO. 074-0086

DESIGNED	D.P. Narielwala
CHECKED	S.M. Ryan
DRAWN	h.t. duong
CHECKED	DPN/SMR

EXAMINED	Thomas J. Domagala	November 25, 2009
PASSED	Ralph E. Anderson	

SHEET NO. 18 25 SHEETS	F.A.S. RTE.	SECTION	COUNTY	TOTAL SHEETS	SHEET NO.
	1517	12VBR-1	PIATT	168	103
FED. ROAD DIST. NO. _ ILLINOIS			FED. AID PROJECT		
CONTRACT NO. 70388					