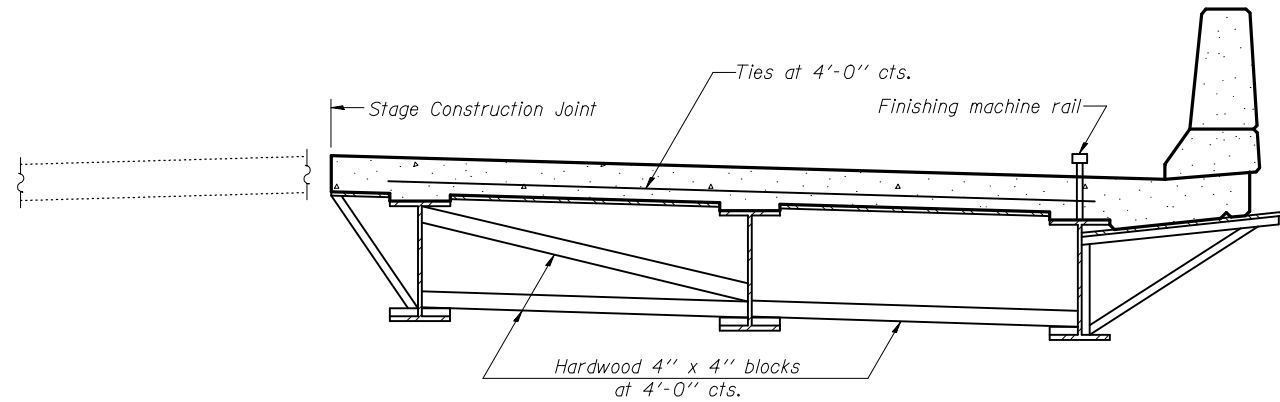
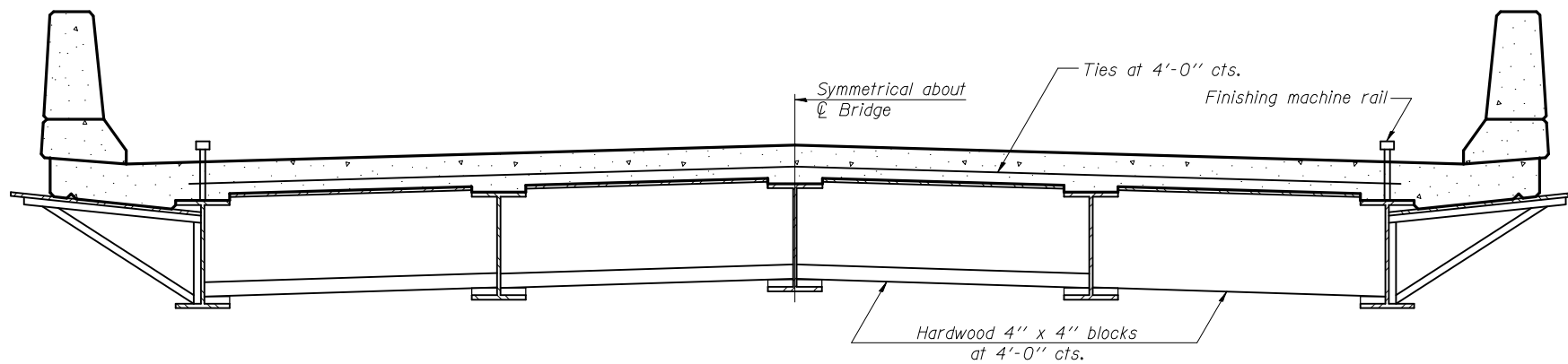


STATE OF ILLINOIS
DEPARTMENT OF TRANSPORTATION



FORM BRACES FOR STAGE CONSTRUCTION

When cantilever forming brackets are used, the work shall be done according to Article 503.06(b) of the Standard Specifications, except as modified below and in the details shown on this sheet.
The finishing machine rails shall be placed on the top flange of the exterior beams.
The beams or girders, supporting cantilever forming brackets, shall be tied together at 4 foot intervals.
For Standard construction, or Stage Construction the Hardwood bracing materials shall be placed as shown between webs of beams in each bay.



FORM BRACES FOR STANDARD CONSTRUCTION

CANTILEVER FORMING BRACKETS FOR SUPERSTRUCTURES
WITH W27 BEAMS AND SMALLER
STRUCTURE NO. 074-0086

DESIGNED	D.P. Narielwala
CHECKED	S.M. Ryan
DRAWN	h.t. duong
CHECKED	DPN/SMR

November 25, 2009
EXAMINED *Thomas J. Domagala*
ENGINEER OF BRIDGE DESIGN
PASSED *Ralph E. Anderson*
ENGINEER OF BRIDGES AND STRUCTURES

SB-1 5-16-08

SHEET NO. 20 25 SHEETS	F.A.S. RTE.	SECTION	COUNTY	TOTAL SHEETS	SHEET NO.
	1517	12VBR-1	PIATT	168	105
			CONTRACT NO. 70388		
FED. ROAD DIST. NO. _ ILLINOIS FED. AID PROJECT					