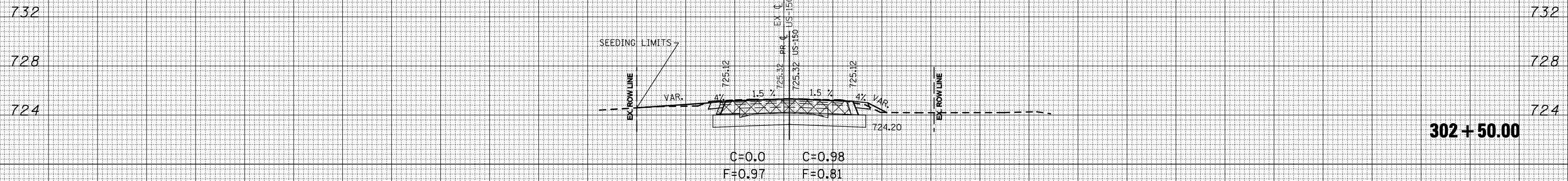


150 140 130 120 110 100 90 80 70 60 50 40 30 20 10 0 10 20 30 40 50 60 70 80 90 100 110 120 130 140 150

FINAL SURVEY NO.	SURVEYED PLOTTED TEMPLATE AREAS CHECKED	BY	DATE

ORIGINAL SURVEY NO.	SURVEYED PLOTTED TEMPLATE AREAS CHECKED	BY	DATE



150 140 130 120 110 100 90 80 70 60 50 40 30 20 10 0 10 20 30 40 50 60 70 80 90 100 110 120 130 140 150

FILE NAME = c:\pwork\pwidot\shererjm\dms86674\70388_xs_sheets.dgn

USER NAME = shererjm
 PLOT SCALE = 20.0000' / IN.
 PLOT DATE = 10/13/2009

DESIGNED -
 DRAWN -
 CHECKED -
 DATE -

REVISED -
 REVISED -
 REVISED -
 REVISED -

**STATE OF ILLINOIS
 DEPARTMENT OF TRANSPORTATION**

US 150 CROSS-SECTIONS

SCALE: SHEET NO. 36 OF 36 SHEETS STA. 302+50.00 TO STA. 302+50.00

F.A.S. RTE.	SECTION	COUNTY	TOTAL SHEETS	SHEET NO.
1517	12VBR-1	PIATT	168	147
CONTRACT NO. 70388				
ILLINOIS FED. AID PROJECT				