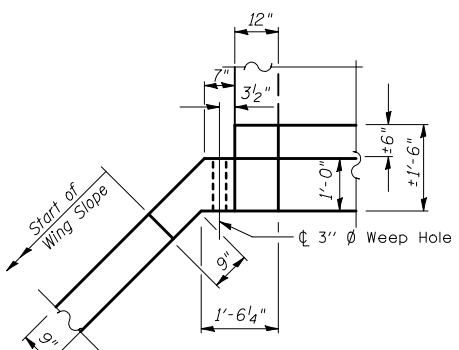
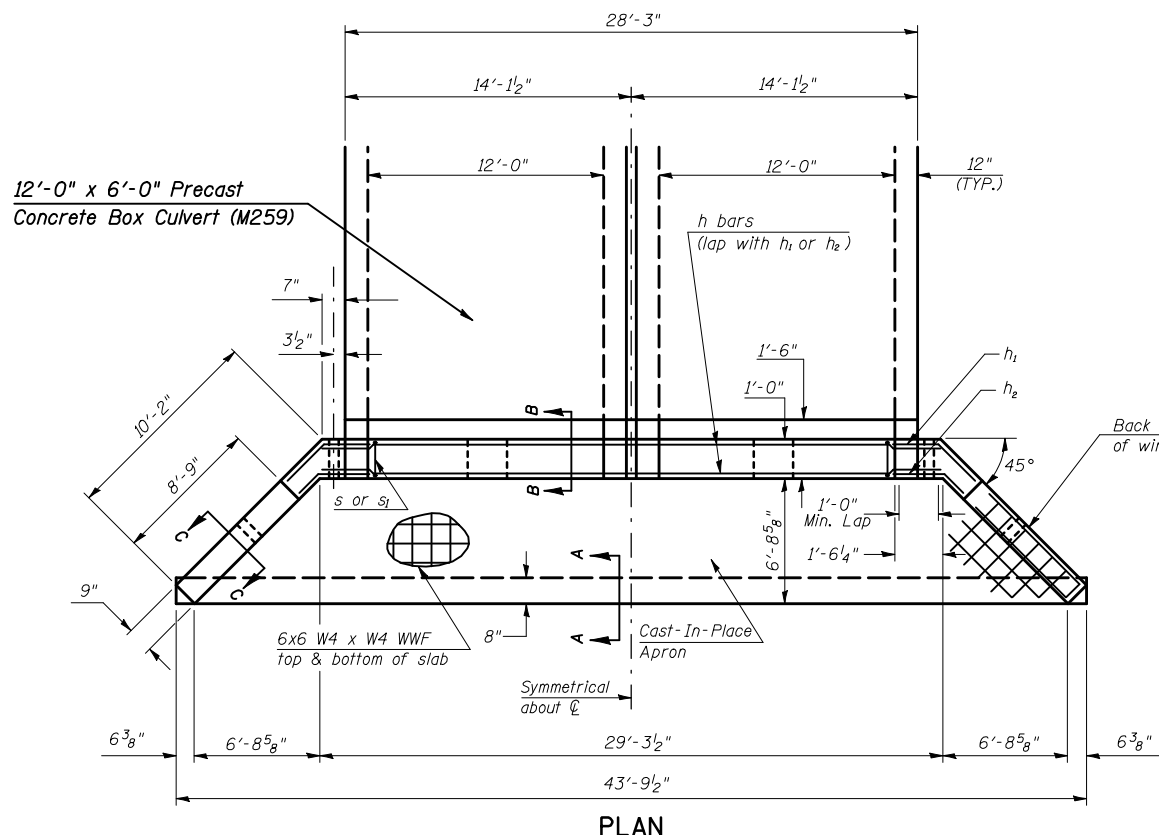
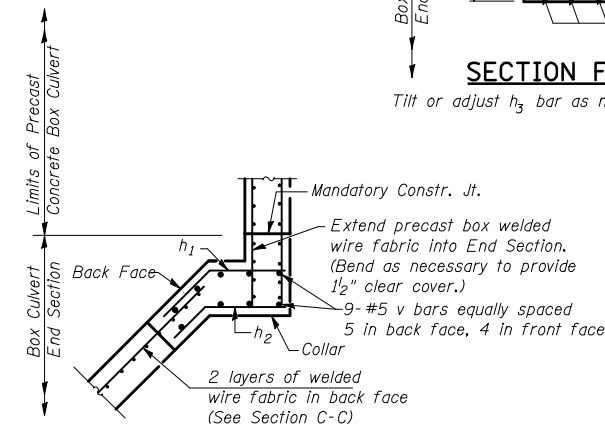


HALFSIDE ELEVATION
(DIMENSIONS AT RIGHT ANGLES TO CL ROADWAY)

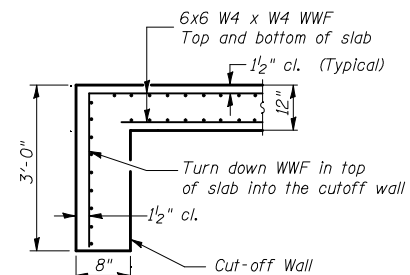
SECTION F-F
Tilt or adjust h3 bar as necessary to fit



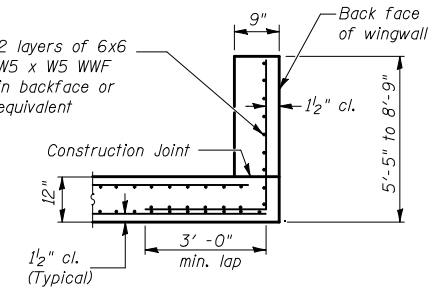
CORNER DETAIL
(Showing dimensions and weep hole)



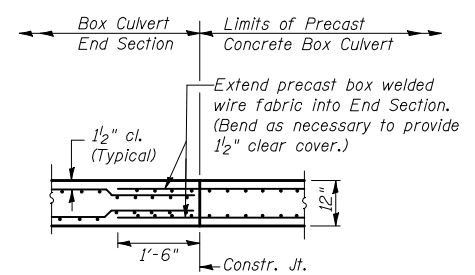
SECTION D-D



SECTION A-A



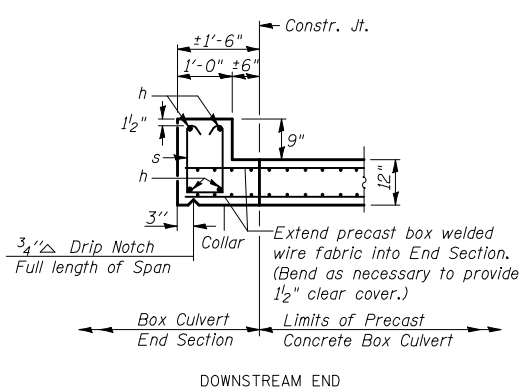
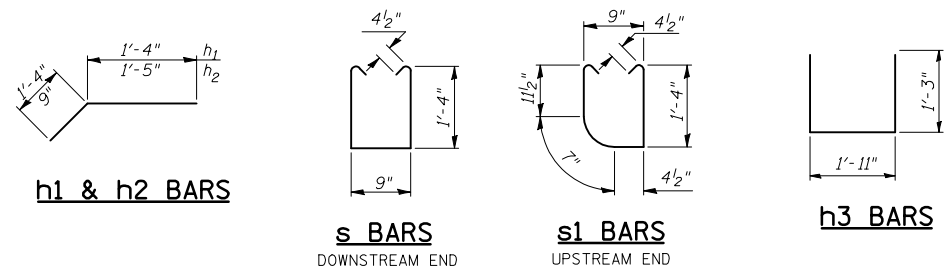
SECTION C-C
WINGWALLS



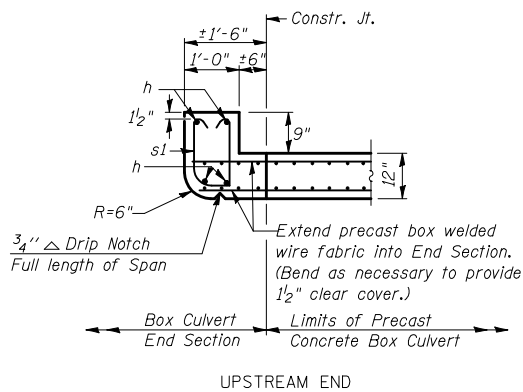
SECTION B-B
BOTTOM SLAB

BILL OF MATERIAL
For Information Only
(One End Section)

| Bar | No. | Size | Length | Shape |
|-----------------------|-----|---------|---------|-------|
| h | 4 | #6 | 29'-5" | — |
| h1 | 18 | #4 | 2'-8" | — |
| h2 | 18 | #4 | 2'-2" | — |
| h3 | 9 | #4 | 4'-5" | — |
| s or s1 | 27 | #4 | 4'-2" | — |
| v | 21 | #5 | 8'-6" | — |
| Item | | Unit | Total | |
| Concrete Box Culverts | | Cu. Yd. | 29.6 | |
| Reinforcement Bars | | Pound | 530.0 | |
| Welded Wire Fabric | | Sq. Ft. | 1,063.0 | |



SECTION E-E



END SECTION DETAILS
DOUBLE 12'x6' PRECAST BOX CULVERT
F.A.P. ROUTE 71 - SECTION 121R
MCLEAN COUNTY
STATION 363+70, S.N. 057-2047
CULVERT NO. 1

SHEET 2 OF 4

| | | | |
|---|-----------------------------|------------|-----------|
| FILE NAME = | USER NAME = keysrb | DESIGNED - | REVISED - |
| ct:\pw\work\pmsdot\keysrb\10101441\070592 | sh:BoxCulvert.dgn | DRAWN - | REVISED - |
| | PLOT SCALE = 44.0000' / IN. | CHECKED - | REVISED - |
| | PLOT DATE = 10/16/2009 | DATE - | REVISED - |

STATE OF ILLINOIS
DEPARTMENT OF TRANSPORTATION

| | | | | |
|---|-----------|-----------|------|---------|
| BOX CULVERT END SECTION DETAILS | | | | |
| PROPOSED CULVERT NO. 1 - STR. NO. 057-2047 | | | | |
| SCALE: | SHEET NO. | OF SHEETS | STA. | TO STA. |

| | | | | |
|---------------------------|---------|--------|--------------|-----------|
| F.A.P. RTE. | SECTION | COUNTY | TOTAL SHEETS | SHEET NO. |
| 71 | 121R | MCLEAN | 87 | 29 |
| CONTRACT NO. 70592 | | | | |
| ILLINOIS FED. AID PROJECT | | | | |