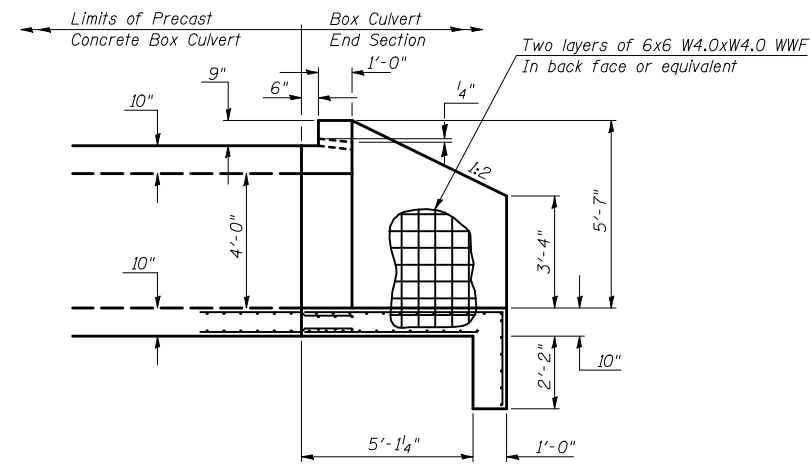
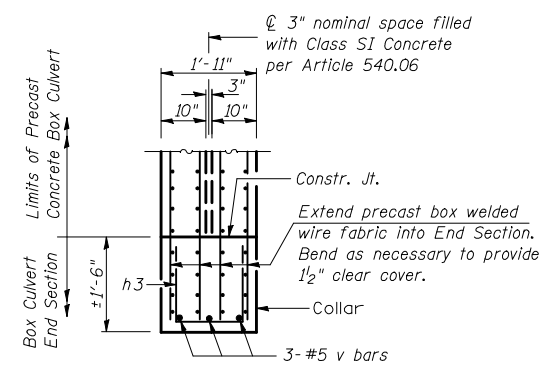


END ELEVATION



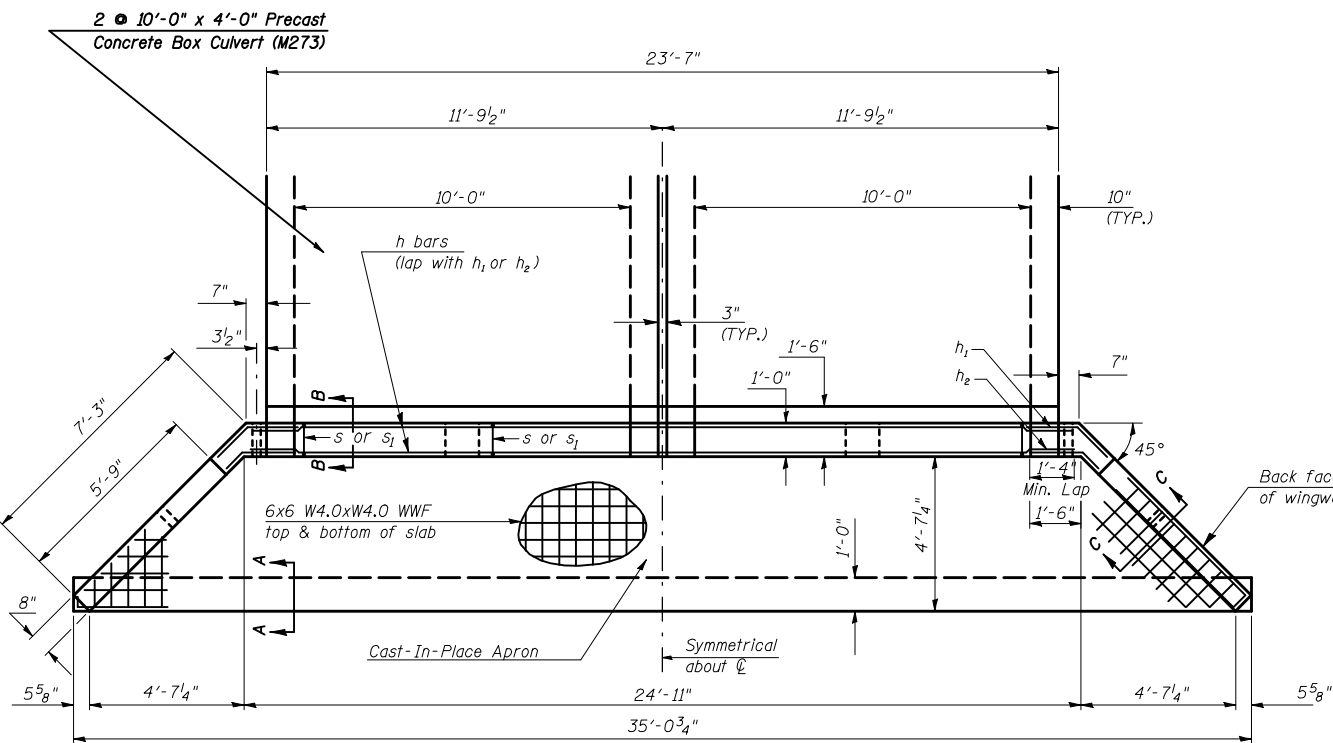
HALF SIDE ELEVATION

(DIMENSIONS AT RIGHT ANGLES TO ϕ OF ROADWAY)

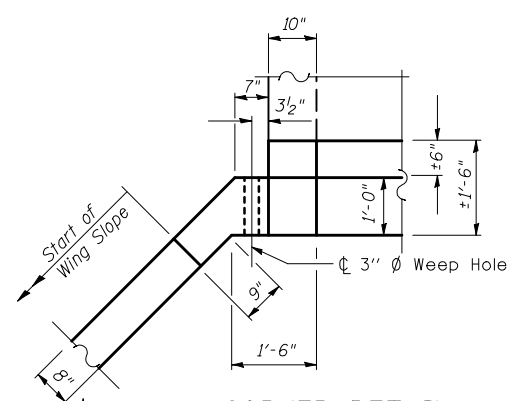


SECTION E-E

Tilt or adjust h_3 bar as necessary to fit

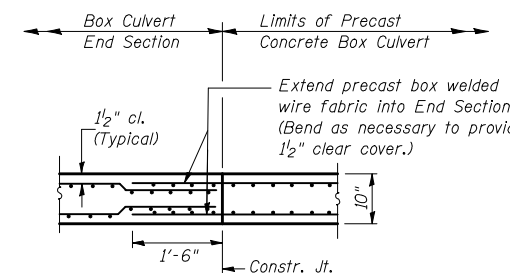


PLAN



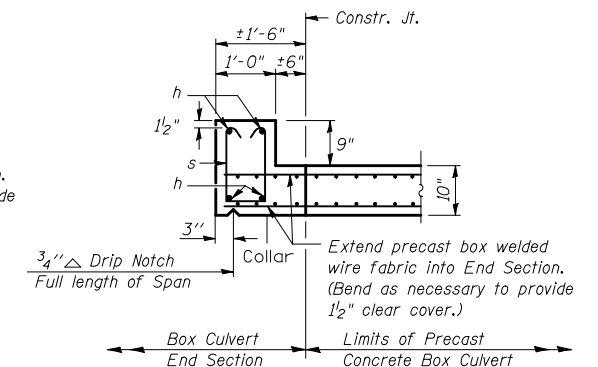
CORNER DETAIL

(Showing dimensions and weep hole)



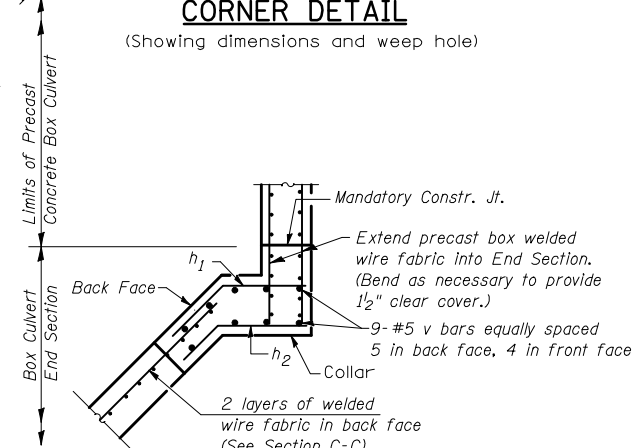
SECTION B-B

BOTTOM SLAB



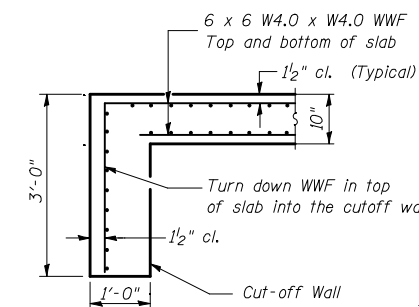
SECTION F-F

TOP SLAB / HEADWALL DOWNSTREAM END

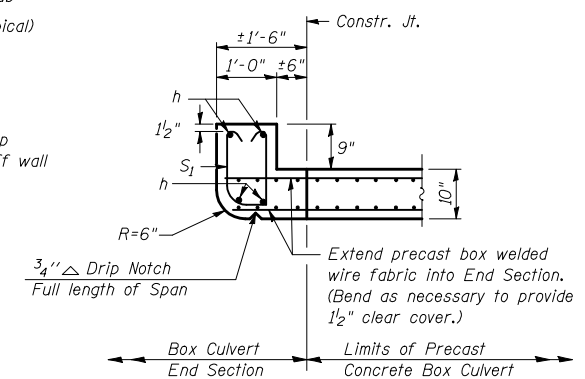


SECTION D-D

(Showing reinforcement)



SECTION A-A



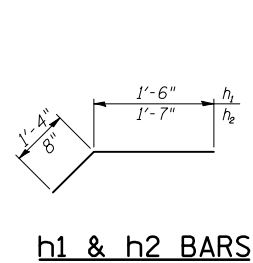
SECTION F-F

TOP SLAB / HEADWALL UPSTREAM END

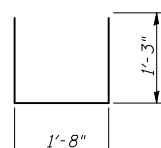
BILL OF MATERIAL

For Information Only
(One End Section)

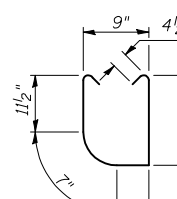
Bar	No.	Size	Length	Shape
h	4	#6	24'-10"	
h1	14	#4	2'-10"	
h2	14	#4	2'-3"	
h3	7	#4	4'-2"	
s or s1	24	#4	4'-2"	
v	21	#5	6'-2"	
Item		Unit	Total	
Class SI Concrete		Cu. Yd.	12.6	
Reinforcement Bars		Pound	418.0	
Welded Wire Fabric		Sq. Ft.	647.0	



h1 & h2 BARS

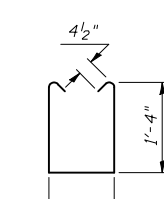


h3 BARS



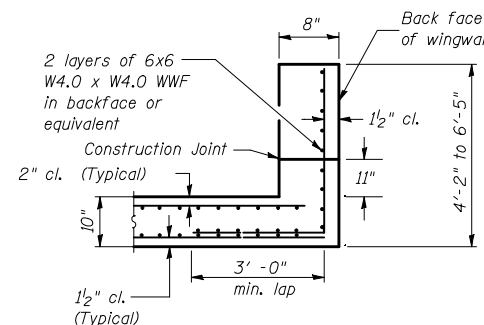
s1 BARS

UPSTREAM END



s BARS

DOWNSTREAM END



SECTION C-C

FILE NAME =	USER NAME = bucklesj	DESIGNED -	REVISED -
ca:\pw\work\p\dot\bucklesj\d0132042\0570594-sht-details.dgn		DRAWN -	REVISED -
PLOT SCALE = 40.0000' / IN.		CHECKED -	REVISED -
PLOT DATE = 10/21/2009		DATE -	REVISED -

**STATE OF ILLINOIS
DEPARTMENT OF TRANSPORTATION**

**END SECTION DETAIL, S.N. 092-2042, STA. 1304 + 66
DOUBLE 10'x4' PRECAST BOX CULVERT**

SCALE: SHEET NO. 2 OF 6 SHEETS STA. TO STA.

F.A.P. RTE.	SECTION	COUNTY	TOTAL SHEETS	SHEET NO.
697	46BR	Vermillion	31	13
ILLINOIS FED. AID PROJECT			CONTRACT NO. 70594	