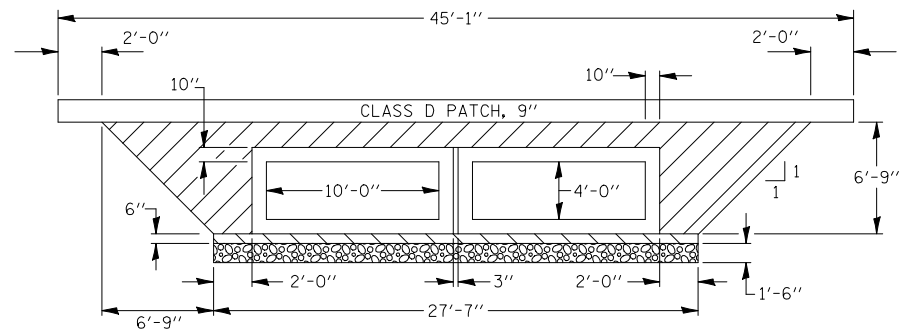


POROUS GRANULAR EMBANKMENT DETAIL

S.N. 092-2042
STA. 1304+66.00

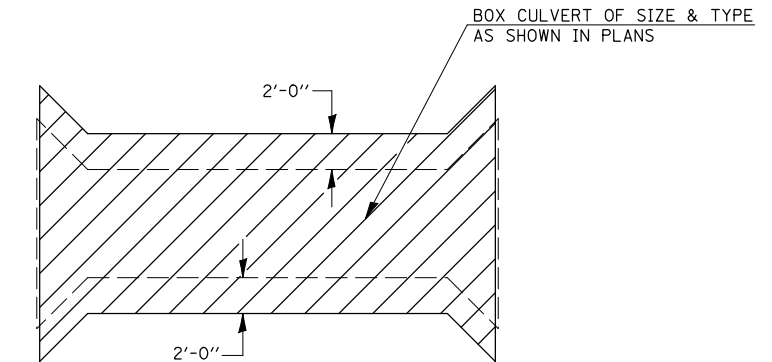


- PAY LIMITS OF POROUS GRANULAR EMBANKMENT - CA 6 = 123.5 CU. YD.
- POROUS GRANULAR MATERIAL - CA 7 (INCLUDED IN PAY ITEM FOR BOX CULVERT)
- STONE RIPRAP, CLASS A1

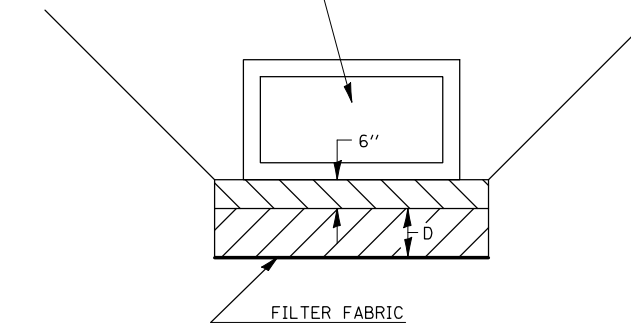
* POROUS GRANULAR EMBANKMENT SHALL EXTEND 5'-0" OUTSIDE OF THE EDGE OF SAFETY SHOULDER.

BOX CULVERT UNDERCUTTING DETAIL

S.N. 092-2042 (CULVERT #1)



BOX CULVERT OF SIZE & TYPE AS SHOWN IN PLANS

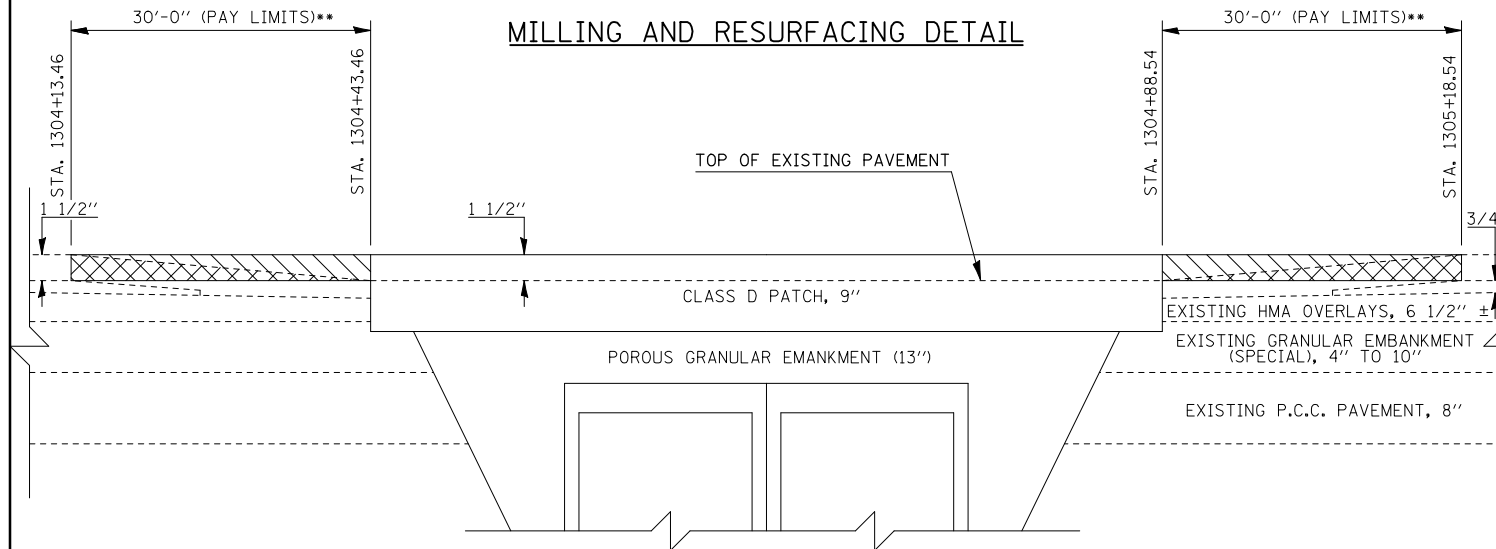


| STATION | D | STONE RIPRAP, CLASS A1 (TONS) | FILTER FABRIC (SQ. YD.) |
|------------|-------|-------------------------------|-------------------------|
| 1304+66.00 | 1'-6" | 158.0 | 175.0 |

* THIS WORK WILL BE PAID FOR AT THE CONTRACT UNIT PRICE PER TON FOR STONE RIPRAP, CLASS A1, WHICH SHALL INCLUDE THE EXCAVATION, EQUIPMENT, LABOR, AND MATERIALS REQUIRED.

- STONE RIPRAP, CLASS A1
- POROUS GRANULAR MATERIAL - CA 7

MILLING AND RESURFACING DETAIL

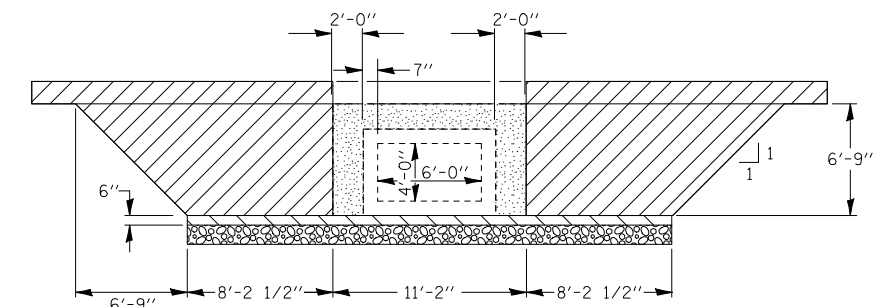


- HOT-MIX ASPHALT SURFACE REMOVAL, 1 1/2"
- HOT-MIX ASPHALT SURFACE COURSE, MIX "C", N50 (168 LBS/CU YD)

* PLAN NOTE: THE TOP 1 1/2" OF THE CLASS D PATCH SHALL CONSIST OF HMA SURFACE MIX IN ACCORDANCE WITH THE MIXTURE REQUIREMENTS OF G.N.-406H.

** PLAN NOTE: THE PAVEMENT LIMITS OF HMA SURFACE REMOVAL AS INDICATED IN THE DETAIL SHALL BE MILLED AT A VARIABLE DEPTH OF 0" TO 1 1/2", BUT SHALL BE PAID AS HMA SURFACE REMOVAL, 1 1/2".

STRUCTURE EXCAVATION DETAIL



- AREA INCLUDED IN REMOVAL OF EXISTING BOX
- PAY LIMITS OF STRUCTURE EXCAVATION = 319.0 CU.YD.
- STONE RIPRAP, CLASS A1

| | | | |
|---------------------------------------------------------------|-----------------------|------------|-----------|
| FILE NAME = | USER NAME = bucklesjj | DESIGNED - | REVISED - |
| ca:\pw\work\p\idot\bucklesjj\d0132042\0570594-sht-details.dgn | | DRAWN - | REVISED - |
| PLOT SCALE = 40.0000' / IN. | | CHECKED - | REVISED - |
| PLOT DATE = 10/21/2009 | | DATE - | REVISED - |

**STATE OF ILLINOIS
DEPARTMENT OF TRANSPORTATION**

| | | | |
|--------|-------------------------|------|---------|
| SCALE: | SHEET NO. 4 OF 6 SHEETS | STA. | TO STA. |
|--------|-------------------------|------|---------|

| | | | | |
|--------------------|---------|------------|---------------------------|-----------|
| F.A.P. RTE. | SECTION | COUNTY | TOTAL SHEETS | SHEET NO. |
| 697 | 46BR | Vermillion | 31 | 15 |
| CONTRACT NO. 70594 | | | ILLINOIS FED. AID PROJECT | |