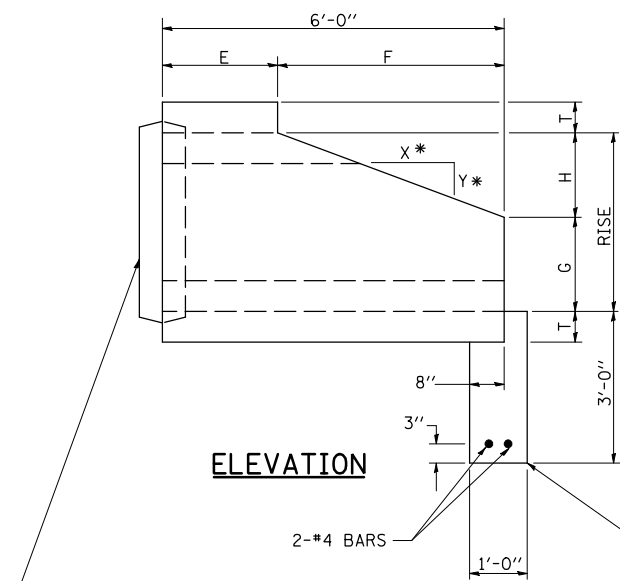
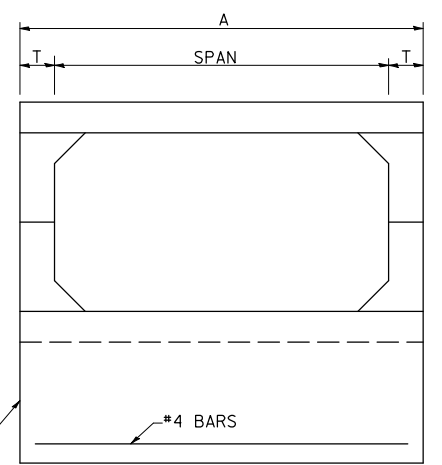


DIMENSIONS **

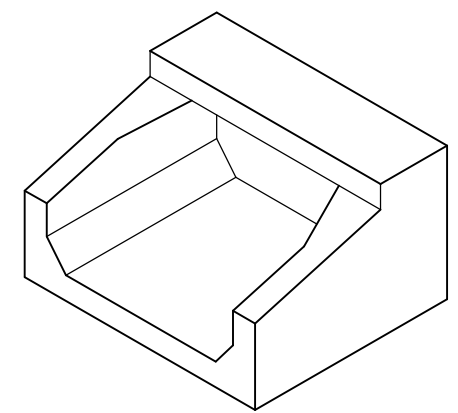
| SPAN X RISE | T (INCHES) | A (FT.-IN.) | B (FT.-IN.) | C (INCHES) | E (FT.-IN.) | F (FT.-IN.) | G (FT.-IN.) | H (FT.-IN.) | SLOPE (X:Y) |
|-------------|------------|-------------|-------------|------------|-------------|-------------|-------------|-------------|-------------|
| 2' X 2' | 4 | 2-8 | 2-8 | 4 | 3-0 | 3-0 | 1-0 | 1-0 | 3:1 |
| 3' X 2' | 4 | 3-8 | 2-8 | 4 | 3-0 | 3-0 | 1-0 | 1-0 | 3:1 |
| 3' X 3' | 4 | 3-8 | 3-8 | 4 | 2-0 | 4-0 | 1-8 | 1-4 | 3:1 |
| 4' X 2' | 5 | 4-10 | 2-10 | 5 | 3-0 | 3-0 | 1-0 | 1-0 | 3:1 |
| 4' X 3' | 5 | 4-10 | 3-10 | 5 | 2-0 | 4-0 | 1-8 | 1-4 | 3:1 |
| 4' X 4' | 5 | 4-10 | 4-10 | 5 | 2-0 | 4-0 | 2-0 | 2-0 | 2:1 |
| 5' X 2' | 6 | 6-0 | 3-0 | 6 | 3-0 | 3-0 | 1-0 | 1-0 | 3:1 |
| 5' X 3' | 6 | 6-0 | 4-0 | 6 | 2-0 | 4-0 | 1-8 | 1-4 | 3:1 |
| 5' X 4' | 6 | 6-0 | 5-0 | 6 | 2-0 | 4-0 | 2-0 | 2-0 | 2:1 |
| 5' X 5' | 6 | 6-0 | 6-0 | 6 | | | | | |
| 6' X 2' | 7 | 7-2 | 3-2 | 7 | 3-0 | 3-0 | 1-0 | 1-0 | 3:1 |
| 6' X 3' | 7 | 7-2 | 4-2 | 7 | 2-0 | 4-0 | 1-8 | 1-4 | 3:1 |
| 6' X 4' | 7 | 7-2 | 5-2 | 7 | 2-0 | 4-0 | 2-0 | 2-0 | 2:1 |
| 6' X 5' | 7 | 7-2 | 6-2 | 7 | 2-0 | 4-0 | 3-0 | 2-0 | 2:1 |
| 6' X 6' | 7 | 7-2 | 7-2 | 7 | 2-0 | 4-0 | 4-0 | 2-0 | 2:1 |
| 7' X 4' | 8 | 8-4 | 5-4 | 8 | 2-0 | 4-0 | 2-0 | 2-0 | 2:1 |
| 7' X 5' | 8 | 8-4 | 6-4 | 8 | | | | | |
| 7' X 6' | 8 | 8-4 | 7-4 | 8 | | | | | |
| 7' X 7' | 8 | 8-4 | 8-4 | 8 | | | | | |
| 8' X 4' | 8 | 9-4 | 5-4 | 8 | 2-0 | 4-0 | 2-0 | 2-0 | 2:1 |
| 8' X 5' | 8 | 9-4 | 6-4 | 8 | | | | | |
| 8' X 6' | 8 | 9-4 | 7-4 | 8 | | | | | |
| 8' X 7' | 8 | 9-4 | 8-4 | 8 | | | | | |
| 8' X 8' | 8 | 9-4 | 9-4 | 8 | | | | | |
| 9' X 5' | 9 | 10-6 | 6-6 | 9 | | | | | |
| 9' X 6' | 9 | 10-6 | 7-6 | 9 | | | | | |
| 9' X 7' | 9 | 10-6 | 8-6 | 9 | | | | | |
| 9' X 8' | 9 | 10-6 | 9-6 | 9 | | | | | |
| 9' X 9' | 9 | 10-6 | 10-6 | 9 | | | | | |
| 10' X 5' | 10 | 11-8 | 6-8 | 10 | | | | | |
| 10' X 6' | 10 | 11-8 | 7-8 | 10 | | | | | |
| 10' X 7' | 10 | 11-8 | 8-8 | 10 | | | | | |
| 10' X 8' | 10 | 11-8 | 9-8 | 10 | | | | | |
| 10' X 9' | 10 | 11-8 | 10-8 | 10 | | | | | |
| 10' X 10' | 10 | 11-8 | 11-8 | 10 | | | | | |
| 11' X 4' | 11 | 12-10 | 5-10 | 11 | | | | | |
| 11' X 6' | 11 | 12-10 | 7-10 | 11 | | | | | |
| 11' X 8' | 11 | 12-10 | 9-10 | 11 | | | | | |
| 11' X 10' | 11 | 12-10 | 11-10 | 11 | | | | | |
| 11' X 11' | 11 | 12-10 | 12-10 | 11 | | | | | |
| 12' X 3' | 12 | 14-0 | 5-0 | 12 | 2-0 | 4-0 | 1-8 | 1-4 | 3:1 |
| 12' X 4' | 12 | 14-0 | 6-0 | 12 | | | | | |
| 12' X 6' | 12 | 14-0 | 8-0 | 12 | | | | | |
| 12' X 8' | 12 | 14-0 | 10-0 | 12 | | | | | |
| 12' X 10' | 12 | 14-0 | 12-0 | 12 | | | | | |
| 12' X 12' | 12 | 14-0 | 14-0 | 12 | | | | | |



* 2:1 SLOPE MINIMUM

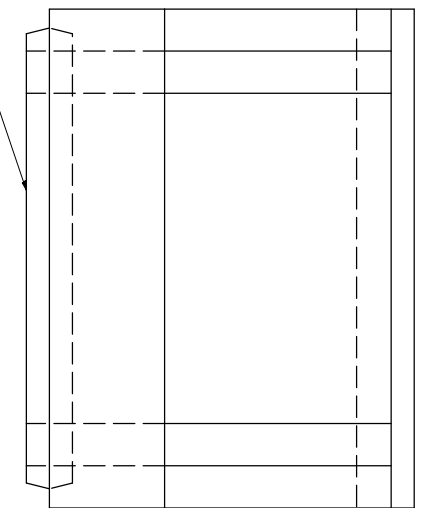


END VIEW

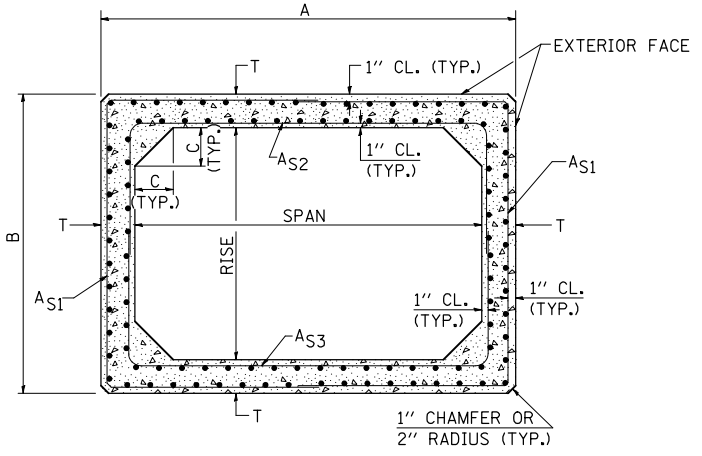


ISOMETRIC

END CONNECTION TO FIT PRECAST BOX CULVERT (BELL OR SPIGOT MAY BE OMITTED WHEN COLLARING TO AN EXISTING BOX OR HEADWALL.)



PLAN



CROSS SECTION

GENERAL NOTES

SHOP DRAWINGS SHALL BE SUBMITTED IN ACCORDANCE WITH THE REQUIREMENTS OF ARTICLE 1042.03(b) OF THE STANDARD SPECIFICATIONS.

MINIMUM CONCRETE STRENGTH SHALL BE 5000 PSI AFTER 28 DAYS.

THE JOINTS OF THE PRECAST BOX SECTIONS SHALL BE SEALED WITH MASTIC IN ACCORDANCE WITH SECTION 1055 OF THE STANDARD SPECIFICATIONS FOR ROAD AND BRIDGE CONSTRUCTION.

THE TERMS AS1, AS2, & AS3 DENOTE THE REQUIRED STEEL AREAS FOR REINFORCEMENT AS SPECIFIED IN AASHTO M259. REINFORCEMENT SHALL BE WELDED WIRE FABRIC CONFORMING TO AASHTO M55-81.

**** NOTE:**

THE DIMENSIONS INDICATED ARE FOR END SECTIONS THAT ARE TO BE USED WITH PRECAST BOX CULVERT SECTIONS DESIGNED FOR 2' OR MORE OF FILL. THE DIMENSIONS MUST BE MODIFIED FOR THE END SECTION TO BE COMPATIBLE WITH PRECAST CULVERT SECTIONS DESIGNED FOR LESS THAN 2' OF FILL.

Note: All dimensions are in INCHES (millimeters) unless otherwise shown.

DISTRICT 5 DETAIL NO. 54001AAA

STD. 9-50 (FROM DISTRICT 9)

| | | | |
|---|------------------------------|-----------------|---------------|
| FILE NAME = | USER NAME = craige | DESIGNED - | REVISED - RTB |
| ct:\pw\work\p\dot\craige\d0124546\0570098-SHT-DETAILS.dgn | | DRAWN - JJB | REVISED - |
| | PLOT SCALE = 40.0000 ' / IN. | CHECKED - | REVISED - |
| | PLOT DATE = 10/23/2009 | DATE - 3-3-2009 | REVISED - |

**STATE OF ILLINOIS
DEPARTMENT OF TRANSPORTATION**

**BOX CULVERT END SECTION
(PRECAST OPTION)**

SCALE: N/A SHEET NO. OF SHEETS STA. TO STA.

| F.A.P. RTE. | SECTION | COUNTY | TOTAL SHEETS | SHEET NO. |
|---------------------------|---------|-----------|--------------|--------------------|
| 836 | 119CR | CHAMPAIGN | 29 | 17 |
| | | | | CONTRACT NO. 70698 |
| ILLINOIS FED. AID PROJECT | | | | |