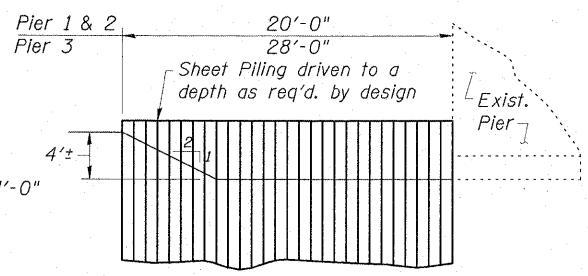
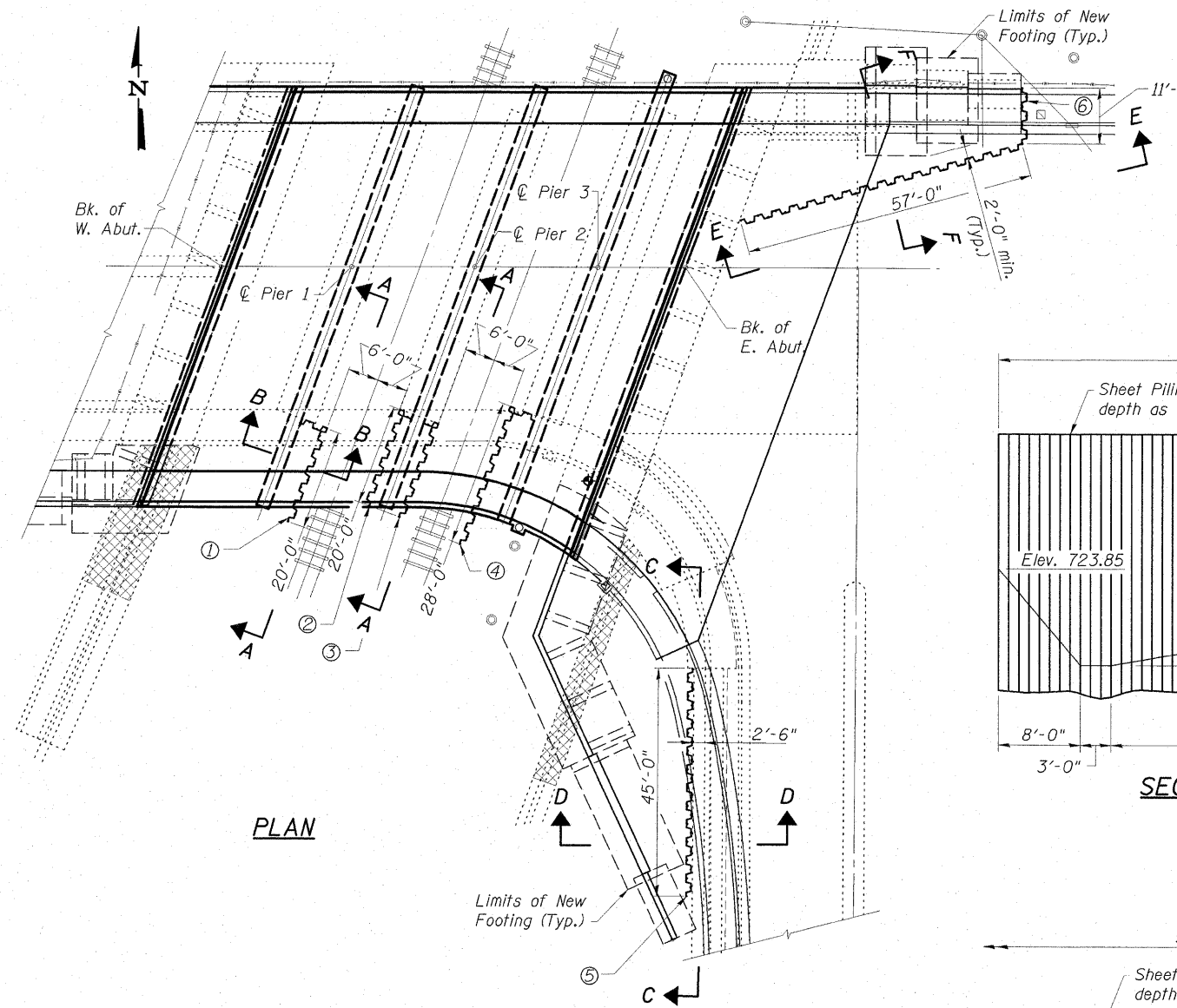


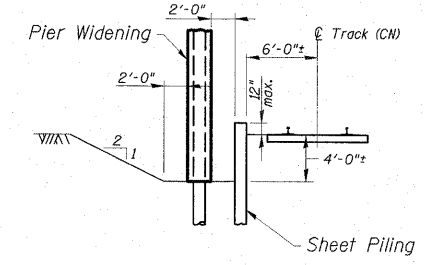
8150264-74149-03-TSR.dwg 7/31/2009 12:35:01 PM H45

- ① Temporary Soil Retention System, Location 1
- ② Temporary Soil Retention System, Location 2
- ③ Temporary Soil Retention System, Location 3
- ④ Temporary Soil Retention System, Location 4
- ⑤ Temporary Soil Retention System, Location 5
- ⑥ Temporary Soil Retention System, Location 6

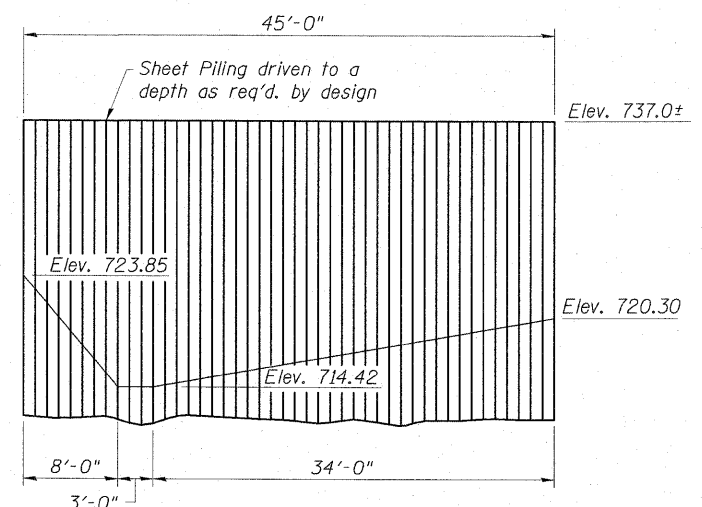
STATE OF ILLINOIS
DEPARTMENT OF TRANSPORTATION



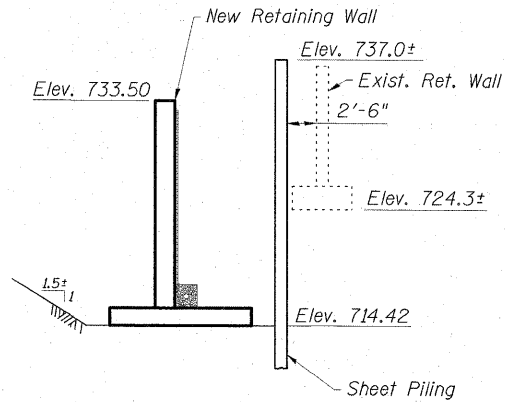
SECTION A-A



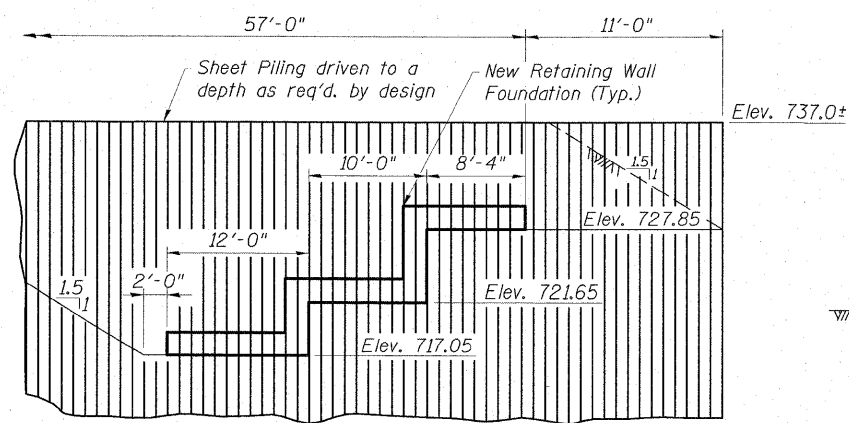
SECTION B-B



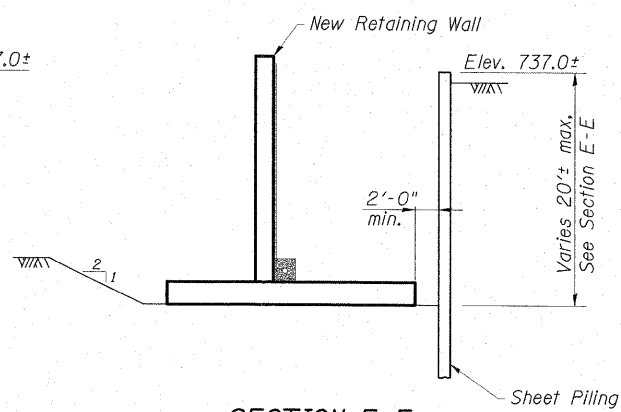
SECTION C-C



SECTION D-D



SECTION E-E



SECTION F-F

NOTES

1. A cantilevered sheet piling design does not appear feasible and additional members or other retention systems may be necessary. The Contractor shall submit a temporary soil retention system design including plan details and calculations for review and acceptance by the Engineer.
2. The Temporary Soil Retention Systems required for Pier Extensions (Locations 1 thru 4) shall be designed for Railroad Live Load (Cooper E-90). The live load shall be treated as a strip load and the pressure distribution shall be determined according to the AREMA Manual for Railway Engineering. Copies of the Contractor's sealed Plans and calculations are to be submitted to CN for review prior to installation.

SEQUENCE-TEMPORARY SHEET PILING RETENTION SYSTEM, LOCATION 6

1. Drive sheet piling, to limits shown on approved design.
2. Excavate between sheet piling and back face of existing wall down to top of footing.
3. Take watermain out of service.
4. Remove watermain.
5. Remove concrete wall.
6. Remove concrete footings.
7. Pour new concrete footings and walls, & install drainage system.
8. Backfill behind wall.
9. Remove sheet piling.
10. Install replacement watermain.

BILL OF MATERIAL

ITEM	UNIT	QUANTITY
Temporary Soil Retention System, Location 1	Sq. Ft.	75
Temporary Soil Retention System, Location 2	Sq. Ft.	75
Temporary Soil Retention System, Location 3	Sq. Ft.	75
Temporary Soil Retention System, Location 4	Sq. Ft.	105
Temporary Soil Retention System, Location 5	Sq. Ft.	880
Temporary Soil Retention System, Location 6	Sq. Ft.	850

**TEMPORARY SOIL
RETENTION SYSTEM
STRUCTURE NO. 015-0064**

ESCA
CONSULTANTS, INC.

DESIGNED BY: RDP 03/09
DRAWN BY: DWH 03/09
CHECKED BY: MTD 03/09
APPROVED BY: RDP 08/09

SHEET NO. 3 35 SHEETS	F.A.P. RTE.	SECTION	COUNTY	TOTAL SHEETS	SHEET NO.
	325	(19VBR)BR	COLES	92	27
FED. ROAD DIST. NO.			ILLINOIS FED. AID PROJECT		
CONTRACT NO. 74149					