

0150064-74149-08-Spr.dgn 7/31/2009 12:25:35 PM HAS



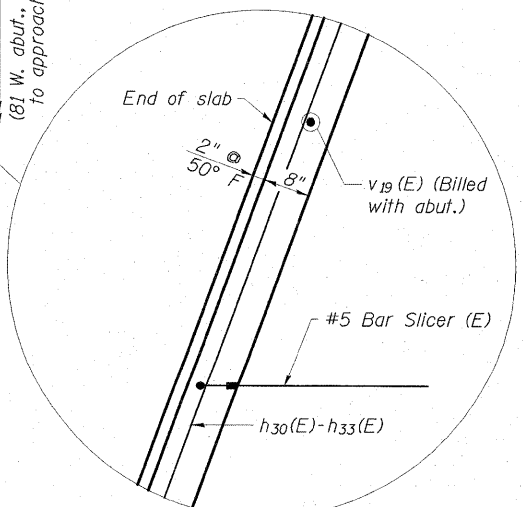
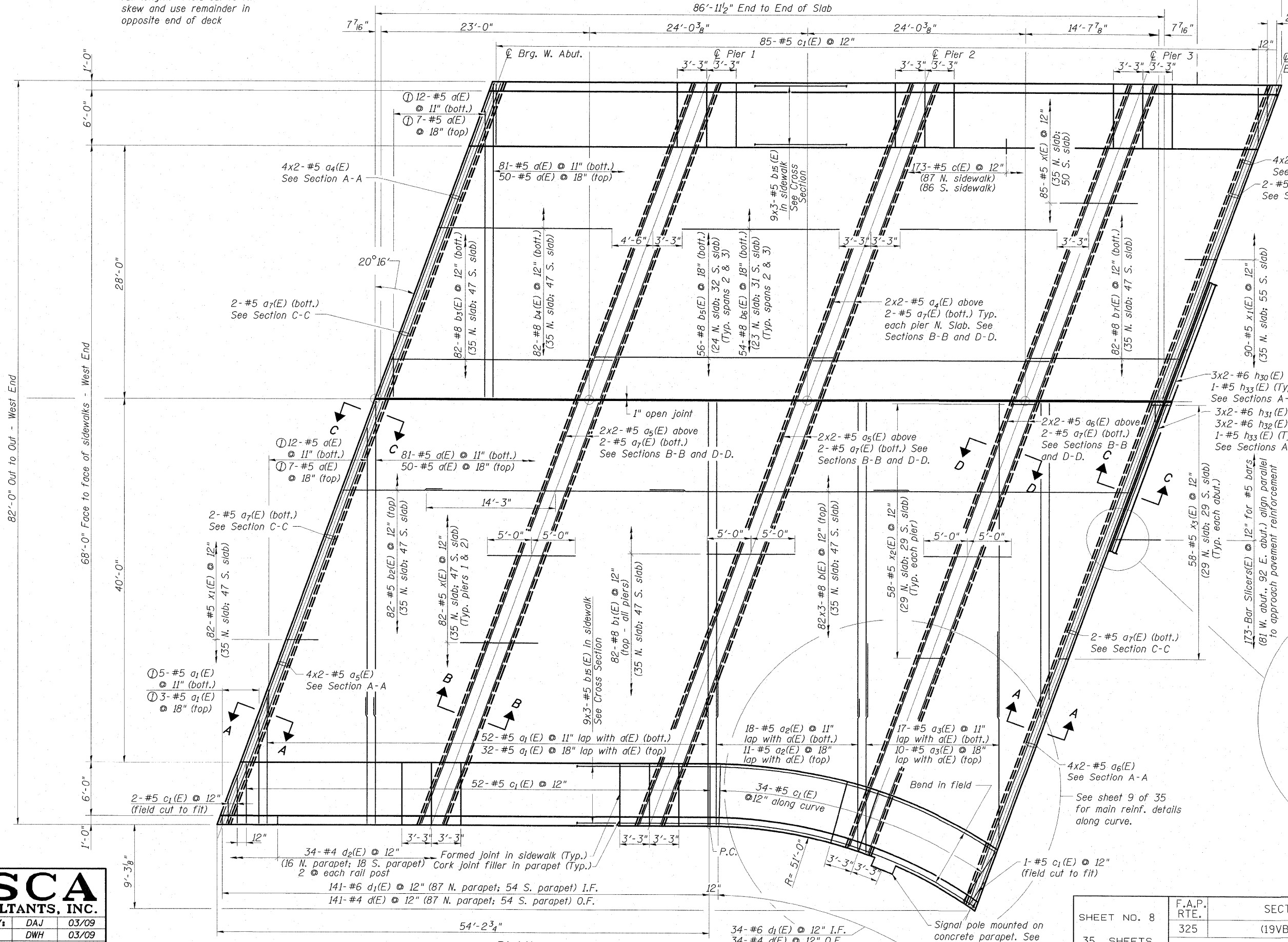
**STATE OF ILLINOIS
DEPARTMENT OF TRANSPORTATION**
86'-11 1/2" End to End of Slab

7 Pipe Support Brackets @ 12'-0" (North side only)
See details on Sheet 10 of 35.

① Order a(E), a₁(E) & c₁(E) bars full length. Field cut to fit skew and use remainder in opposite end of deck

- NOTES**
1. Bars indicated thus: 82 x 3-#8 etc. indicates 83 lines of bars with 3 lengths per line.
 2. See Sheets 9, 10, & 11 of 35 for Superstructure Details, Bill of Material and sections.

Min. Bar Lap	
#5	1'-10"
#6	2'-2"
#8	2'-9"



**SUPERSTRUCTURE
STRUCTURE NO. 015-0064**

ESCA
CONSULTANTS, INC.

DESIGNED BY:	DAJ	03/09
DRAWN BY:	DWH	03/09
CHECKED BY:	MTD	03/09
APPROVED BY:	RDP	08/09

PLAN

SHEET NO. 8 35 SHEETS	F.A.P. RTE.	SECTION	COUNTY	TOTAL SHEETS	SHEET NO.
	325	(19VBR)BR	COLES	92	32
FED. ROAD DIST. NO.			ILLINOIS FED. AID PROJECT		
CONTRACT NO. 74149					