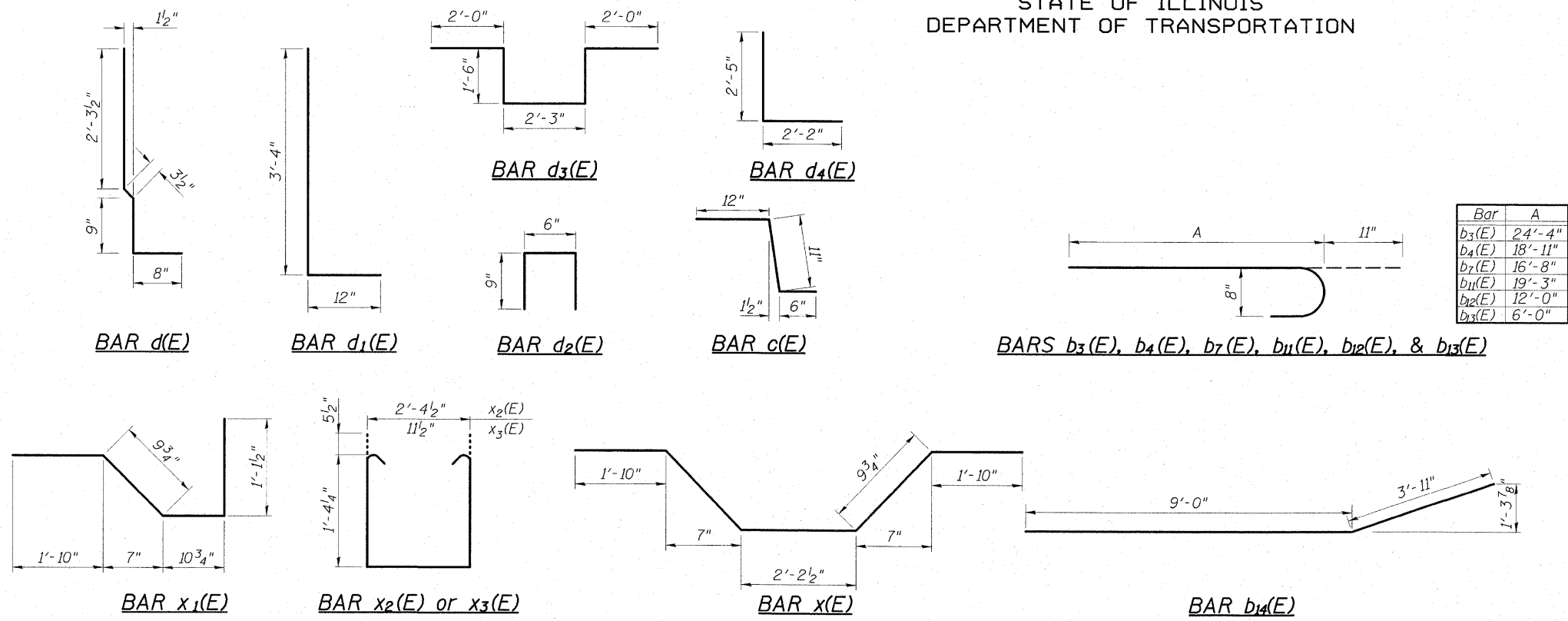
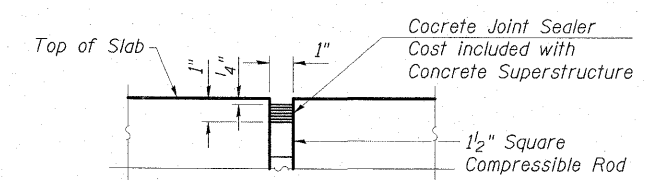


0150061-74149-10-SPR-D-1.dgn 7/31/2009 12:35:50 PM HAS

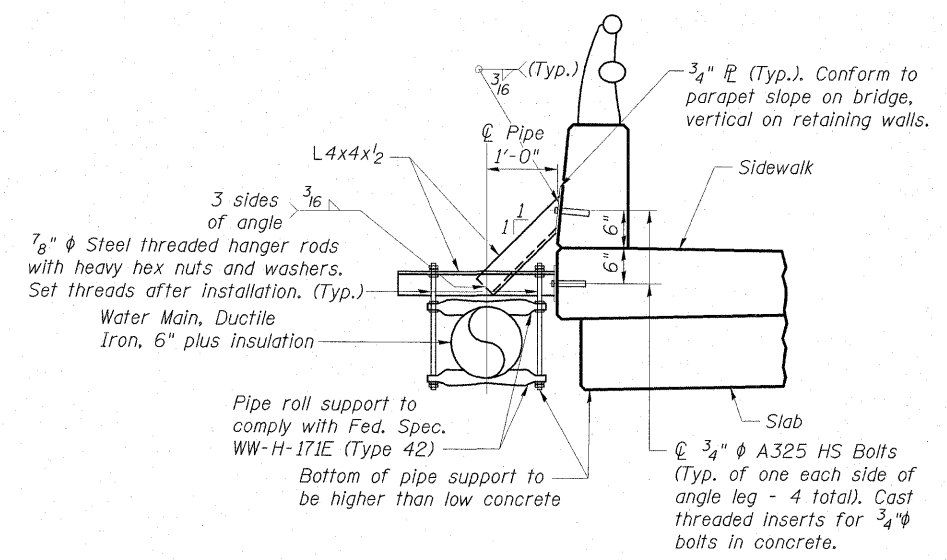
STATE OF ILLINOIS
DEPARTMENT OF TRANSPORTATION



Bar	A
b ₃ (E)	24'-4"
b ₄ (E)	18'-11"
b ₇ (E)	16'-8"
b ₁₁ (E)	19'-3"
b ₁₂ (E)	12'-0"
b ₁₃ (E)	6'-0"



DETAIL "A"

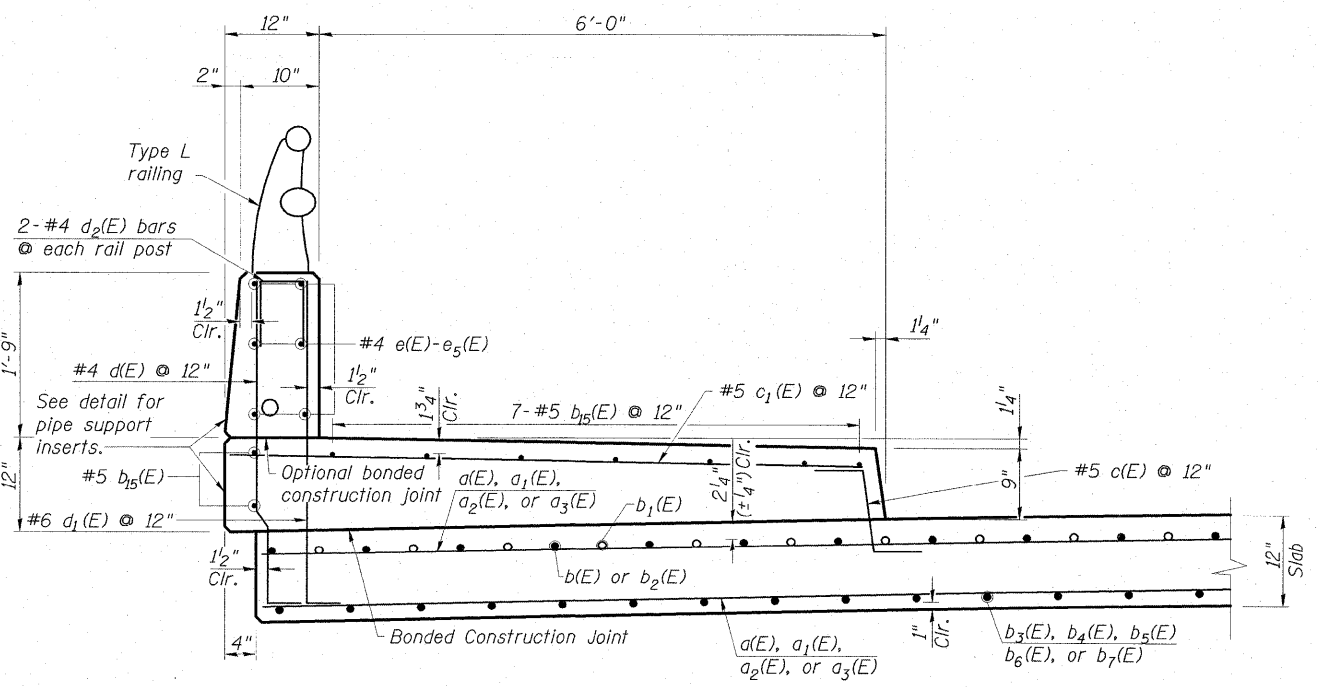


PIPE SUPPORT DETAILS

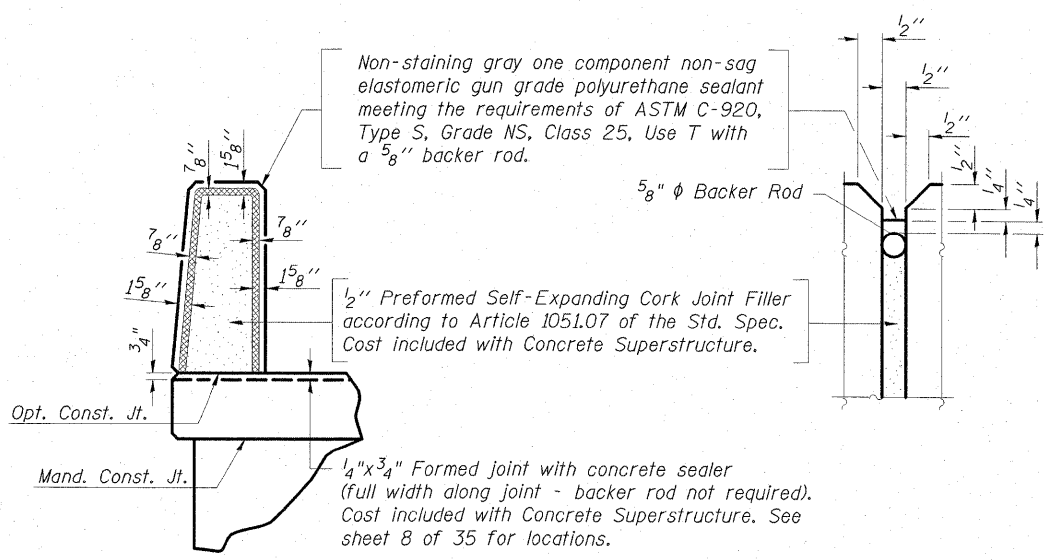
(Provide supports at 12'-0" max. centers; 7 on Bridge parapet, 1 on NW Retaining Wall, and 5 on NE Retaining Wall)

PIPE SUPPORT NOTES

1. All hanger rods, angles, washers, nuts, and plates shall be stainless steel. Bolts, inserts, and other permanent pipe support items shall be galvanized.
2. All structural steel angles and plates for pipe supports shall be Type 304 stainless steel with a minimum yield strength of 38 ksi.
3. The cost of all materials, labor, and equipment necessary to install the pipe supports on the proposed bridge shall be included in Pipe Support.



SECTION THRU SIDEWALK



PARAPET JOINT DETAILS

SUPERSTRUCTURE DETAILS

STRUCTURE NO. 015-0064

ESCA
CONSULTANTS, INC.

DESIGNED BY:	DAJ	11/08
DRAWN BY:	DWH	11/08
CHECKED BY:	MTD	03/09
APPROVED BY:	RDP	08/09

SHEET NO. 10 35 SHEETS	F.A.P. RTE.	SECTION	COUNTY	TOTAL SHEETS	SHEET NO.
	325	(19VBR)BR	COLES	92	34
CONTRACT NO. 74149					
FED. ROAD DIST. NO.		ILLINOIS FED. AID PROJECT			