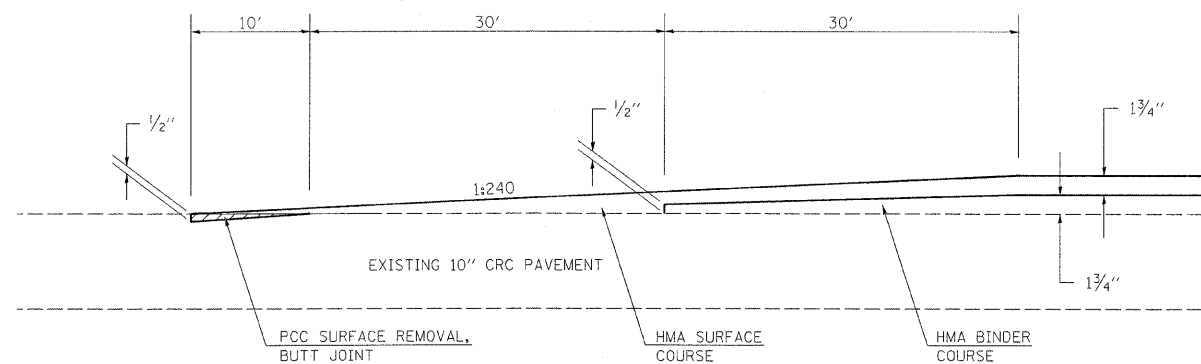
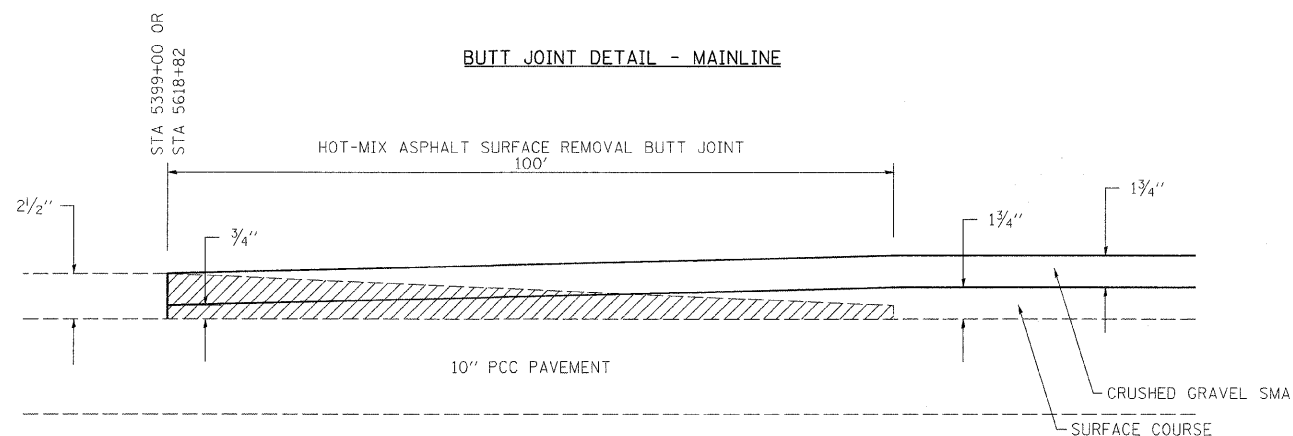


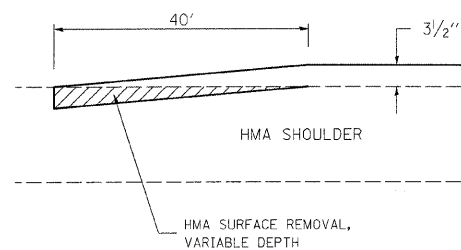
BUTT JOINT DETAIL - RAMPS



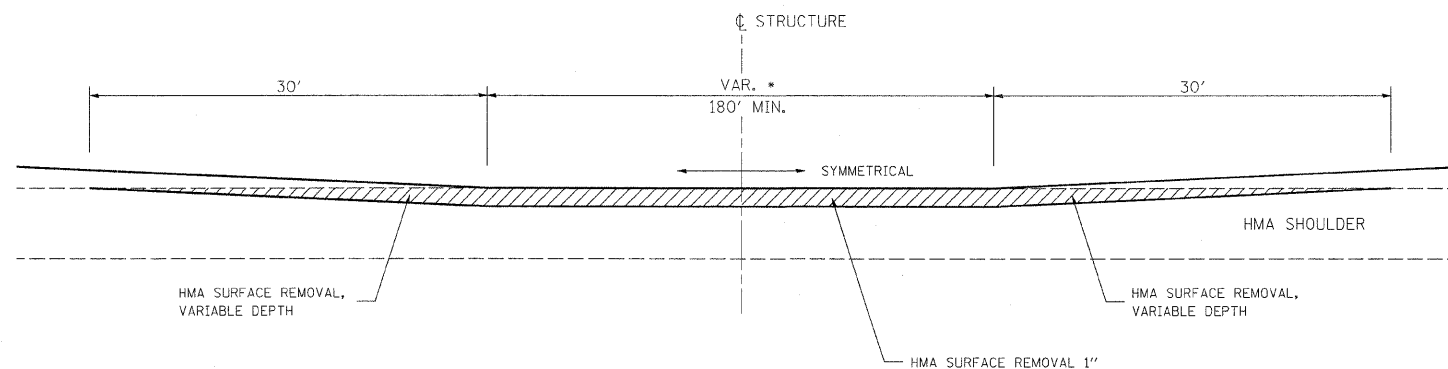
BUTT JOINT DETAIL - MAINLINE



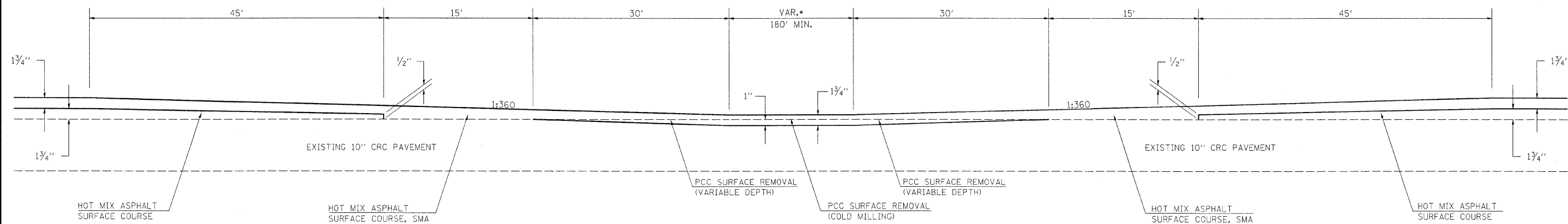
BUTT JOINT DETAIL - RAMP SHOULDER



SHOULDER TREATMENT AT OVERHEAD STRUCTURE OMISSIONS



DETAIL FOR OVERHEAD STRUCTURE OMISSIONS



* SEE PAVING SCHEDULE
(MILLING AT 3 OF 6 LOCATIONS ONLY)

FILE NAME =	USER NAME = teasleyck	DESIGNED -	REVISED -	STATE OF ILLINOIS DEPARTMENT OF TRANSPORTATION	DETAILS				F.A.I. RTE.	SECTION	COUNTY	TOTAL SHEETS	SHEET NO.		
ca:\pwork\PWIDOT\TEASLEYCK\dms52085.D	74253-shr-detail1.dgn	DRAWN -	REVISED -		SCALE:	SHEET NO.	OF	SHEETS	STA.	TO STA.	57	(25-8)RS	Effingham	15	7
	PLOT SCALE = 50,0000 "/> IN.	CHECKED -	REVISED -												
	PLOT DATE = 10/6/2009	DATE -	REVISED -												
											CONTRACT NO. 74253			ILLINOIS FED. AID PROJECT	