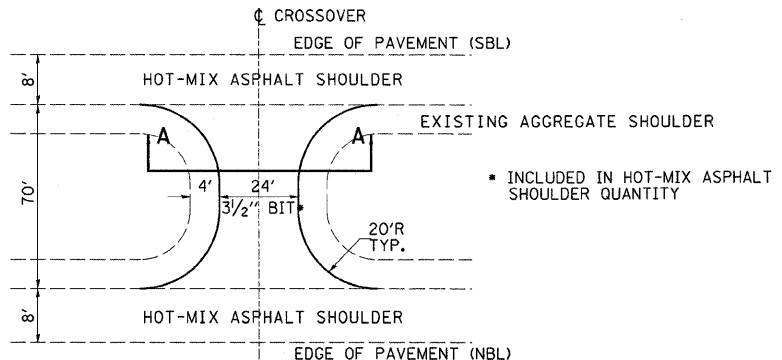
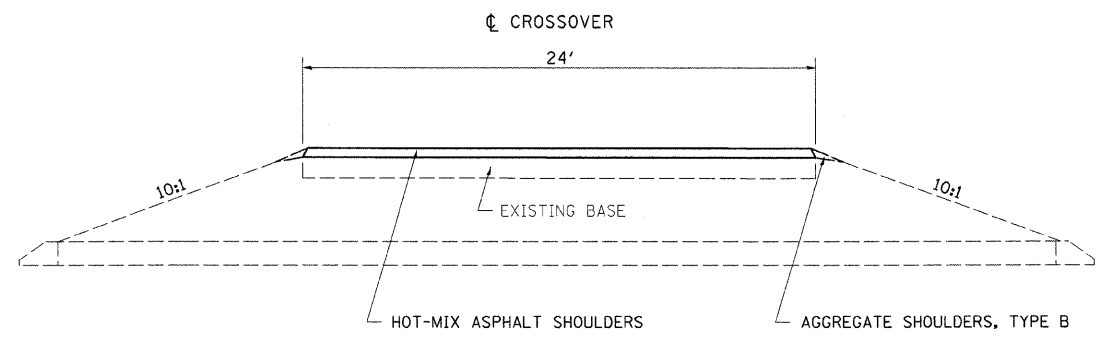


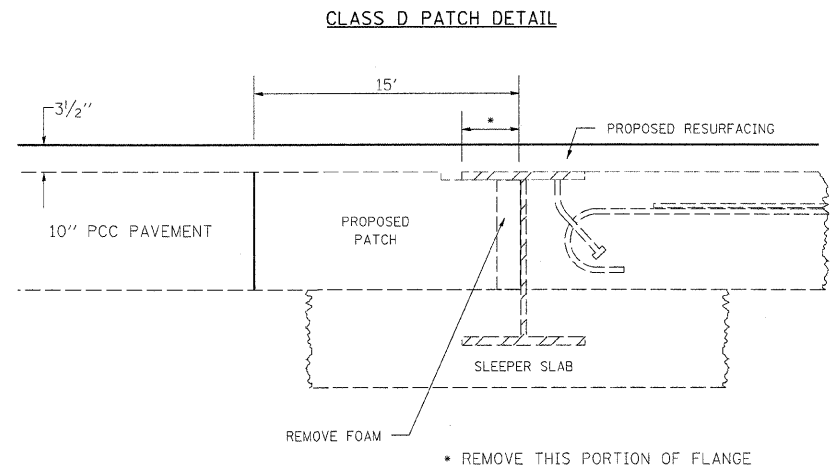
NB STA 5528+59
 NB STA 5532+74
 SB STA 5528A+13
 SB STA 5532A+26



DETAIL OF MEDIAN CROSSOVER



SECTION A-A
 STA 5415+60
 STA 5610+40



NB STA 5617+55
 SB STA 5617+73

| | | | |
|--|-----------------------------|------------|-----------|
| FILE NAME = | USER NAME = teasleyck | DESIGNED - | REVISED - |
| ca:\pvt\work\FW1007\TEASLEYCK\dms52805\0 | 74253-sh1-detail1.sldgn | DRAWN - | REVISED - |
| | PLOT SCALE = 50.0000' / IN. | CHECKED - | REVISED - |
| | PLOT DATE = 10/6/2009 | DATE - | REVISED - |

STATE OF ILLINOIS
 DEPARTMENT OF TRANSPORTATION

| DETAILS | | | | |
|---------|-----------|-----------|------|---------|
| SCALE: | SHEET NO. | OF SHEETS | STA. | TO STA. |
| | | | | |

| F.A.I. RTE. | SECTION | COUNTY | TOTAL SHEETS | SHEET NO. |
|-------------|----------|-----------|--------------|-----------|
| 57 | (25-8)RS | Effingham | 15 | 8 |

CONTRACT NO. 74253

FED. ROAD DIST. NO. ILLINOIS FED. AID PROJECT