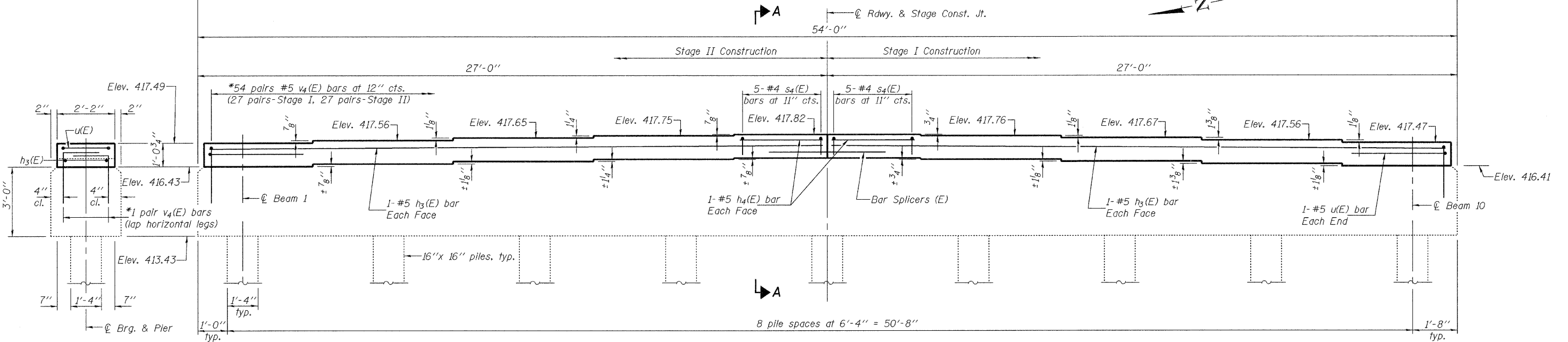
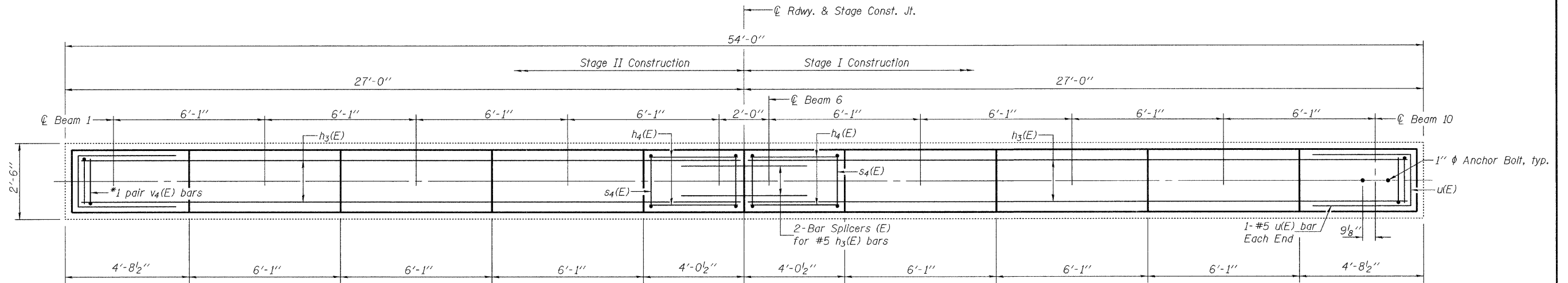


STATE OF ILLINOIS  
DEPARTMENT OF TRANSPORTATION

ROUTE NO. F.A.U. 9181	SECTION 52BR	COUNTY ST. CLAIR	SHEETS 41	SHEET NO. 38	SHEET NO. 22 25 SHEETS
FED. ROAD DIST. NO. 7		ILLINOIS		FED. AID PROJECT-	

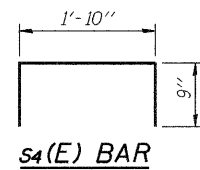
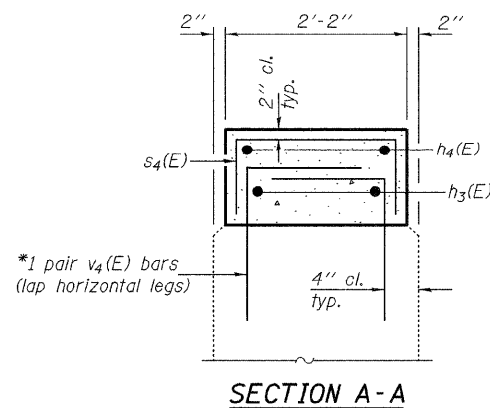
Contract #76120

Notes:  
Space reinforcement bars in cap to miss anchor bolts.  
Pour steps monolithically with existing cap.  
For bar splicers details see sheet 23 of 25.

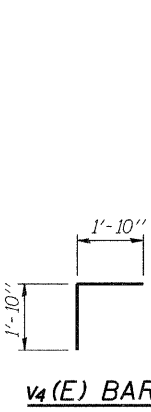
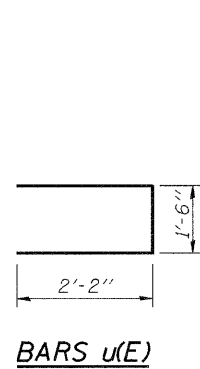


END VIEW

\*Epoxy grout  $v_4(E)$  bars in 9" min. drilled holes according to Section 584 of the Standard Specifications.



BARS u(E)



BILL OF MATERIAL

Bar	No.	Size	Length	Shape
$h_3(E)$	4	#5	26'-6"	—
$h_4(E)$	4	#5	3'-8"	—
$s_4(E)$	10	#4	3'-4"	┌
$u(E)$	2	#5	5'-10"	▭
$v_4(E)$	108	#5	3'-8"	┌
Concrete Structures			Cu. Yd.	4.5
Reinforcement Bars, Epoxy Coated			Pound	570

PIER 2  
F.A.U. RTE. 9181 - SECTION 52BR  
ST. CLAIR COUNTY  
STATION 39+89.80  
STRUCTURE NO. 082-0136

DESIGNED	WAB/SMR
CHECKED	DFZ/FT
BML	PAUL W. SWEET
DRAWN	
CHECKED	DFZ/SMR/DPN/FT

November 23, 2009  
EXAMINED *Thomas J. Demagala*  
ENGINEER OF BRIDGE DESIGN  
PASSED *Ralph E. Anderson*  
ENGINEER OF BRIDGES AND STRUCTURES