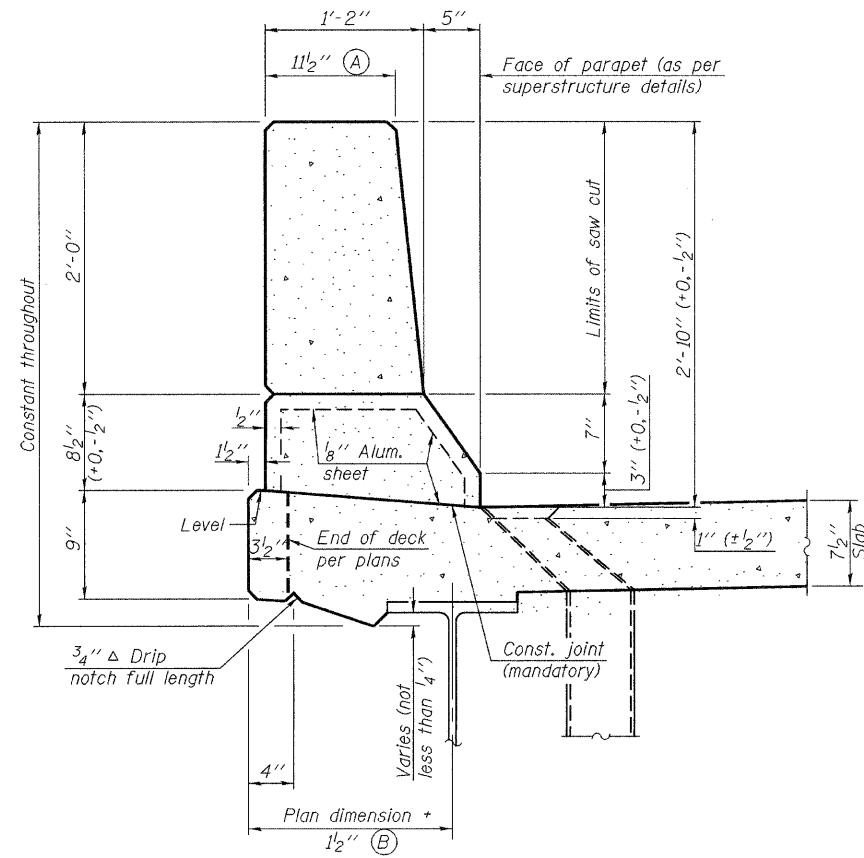


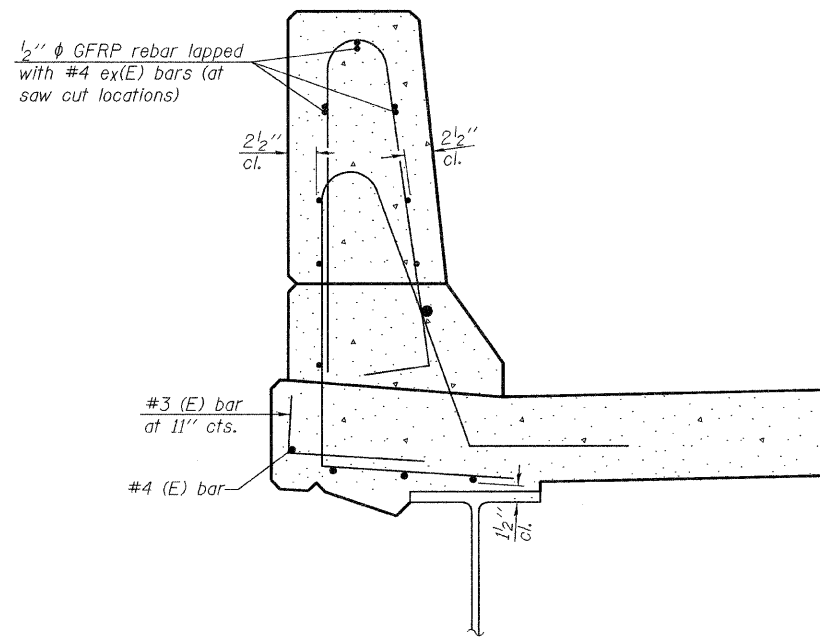
STATE OF ILLINOIS
DEPARTMENT OF TRANSPORTATION

| | | | | | |
|-----------------------------|-----------------|----------------------------|--------------------|-----------------|---------------------------|
| ROUTE NO. F.A.U. 9181 | SECTION 52BR | COUNTY ST. CLAIR | TOTAL SHEETS 41 | SHEET NO. 40 | SHEET NO. 24 25 SHEETS |
| FED. ROAD DIST. NO. 7 | | ILLINOIS FED. AID PROJECT- | | | |

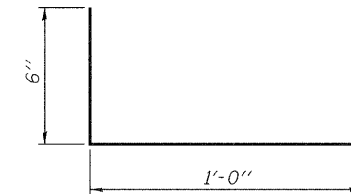
Contract #76120



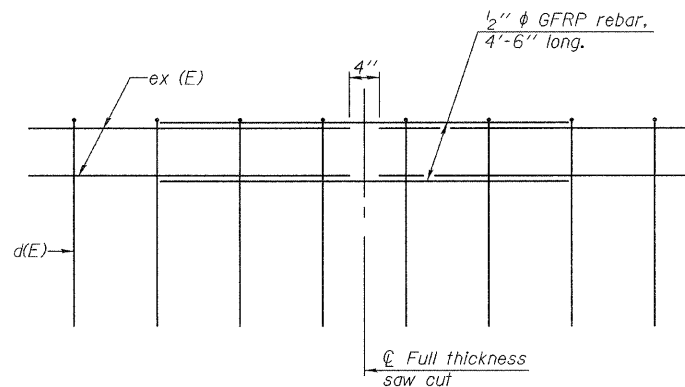
SECTION
(Showing dimensions)



SECTION
(Showing reinforcement clearances for slip forming and additional reinforcement bars)



#3 (E) BAR



GFRP REBAR STIFFENING DETAIL

(Place as shown in parapet section at each parapet joint location.)

| | |
|----------|---------------|
| DESIGNED | SMR |
| CHECKED | FT |
| DRAWN | PAUL W. SWEET |
| CHECKED | SMR/FT |

November 23, 2009
EXAMINED *Thomas J. Demagali*
PASSED *Ralph E. Anderson*
ENGINEER OF BRIDGES AND STRUCTURES

**CONCRETE PARAPET
SLIPFORMING OPTION
F.A.U. RTE. 9181 - SECTION 52BR
ST. CLAIR COUNTY
STATION 39+89.80
STRUCTURE NO. 082-0136**