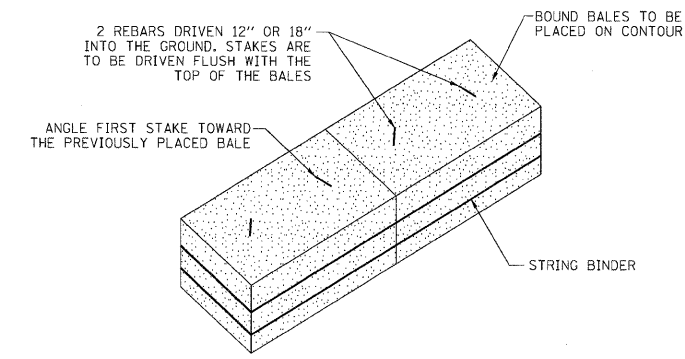


TEMPORARY DITCH CHECKS SCHEDULE		
STATION	OFFSET	TEMPORARY DITCH CHECKS (FOOT)
16+15.78	175.76' RT	12
17+18.86	167.27' RT	12
18+17.88	151.38' RT	12
19+10.45	114.00' RT	12
20+02.58	75.63' RT	12
TOTAL		60

PERIMETER EROSION BARRIER, SPECIAL SCHEDULE		
POINT	STATION	OFFSET
A	14+37.75	154.68' LT
B	15+30.87	139.11' LT
C	15+37.52	118.83' LT
D	17+17.26	101.95' LT
E	20+60.50	43.56' LT
F	20+94.83	41.97' RT
G	18+71.44	136.71' RT
H	18+75.82	168.42' RT
I	13+98.50	203.08' RT
J	14+01.81	195.22' RT
K	16+36.89	139.44' RT
L	16+44.33	118.96' RT
M	14+64.86	114.17' LT
N	14+69.85	72.79' LT
O	14+59.52	69.51' LT
P	14+61.25	54.60' LT
Q	14+32.08	46.65' LT
R	14+13.29	91.44' LT
S	12+29.82	21.16' LT
T	12+20.77	46.66' LT
U	12+41.55	55.82' LT
V	12+08.18	114.49' LT
W	11+90.80	106.37' LT
X	11+95.36	94.69' LT
Y	10+83.31	51.81' LT
Z	10+24.34	193.59' LT
AA	12+40.98	199.53' LT
BB	12+59.97	149.60' LT
CC	13+31.18	177.72' LT
TOTAL LENGTH =		3284'



PERIMETER EROSION BARRIER, SPECIAL

NOTES

- NO EXCAVATION CAN BE MADE ON THIS PARCEL.

LEGEND

- PROPOSED 1-1/2" ASPHALT OVERLAY, MIX "C", N70
- EXISTING CONCRETE TO REMAIN
- TEMPORARY DITCH CHECK

