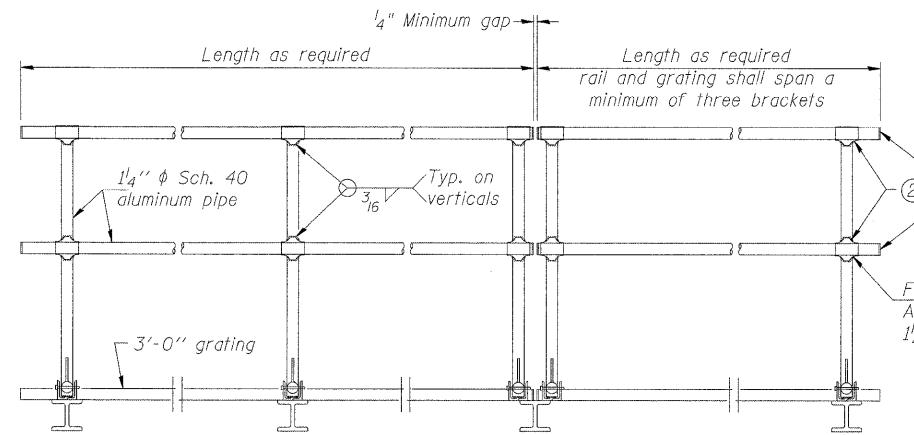


**SIDE ELEVATION**  
(Showing safety chain w/o sign)

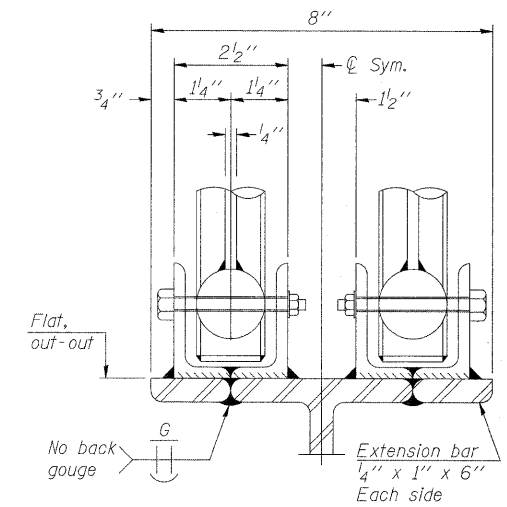


**FRONT ELEVATION**

② Horizontal handrail member shall be continuous thru fitting. Provide 7/16" diameter hole in fitting for 3/8" diameter bolt. Field drill 7/16" diameter hole in horizontal rail member. Provide washer and locknut for bolt. (Use 5/16" eyebolts in 7/16" diameter holes on top rail at ends only.)

① Install standard force-fit end caps or weld 1/8" end plates with 1/8" c.f.w. and grind smooth. (All rail ends)

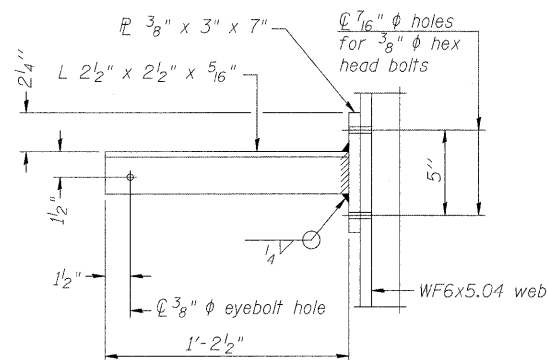
Fittings-ASTM B26, Alloy 356-T7 or 1/2" diameter aluminum pipe



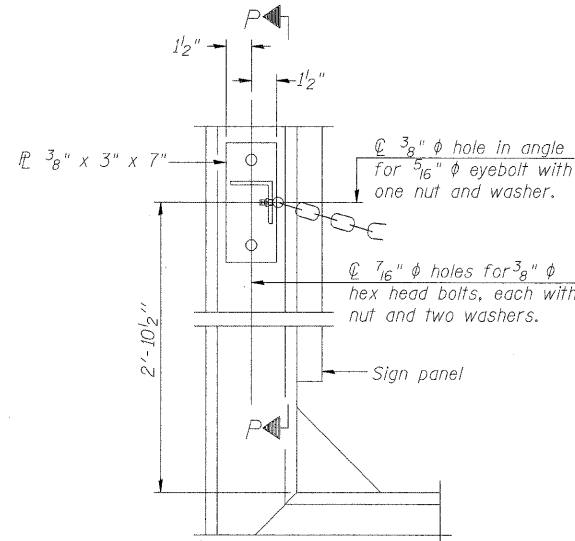
**ELEVATION AT HANDRAIL JOINT (4)**

**HANDRAIL DETAILS**

Handrail pipe shall be ASTM B241, Alloy 6063-T6 or Alloy 6061-T6.

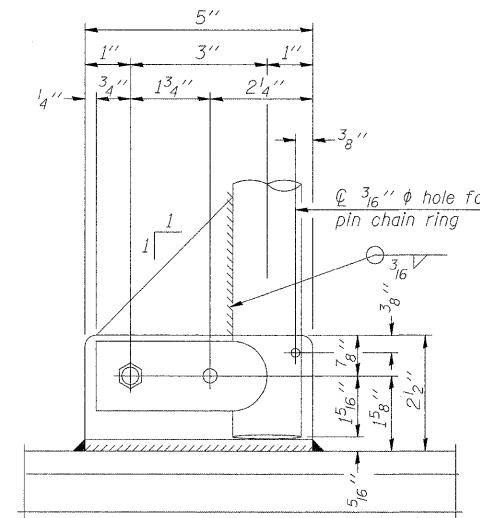


**SECTION P-P**

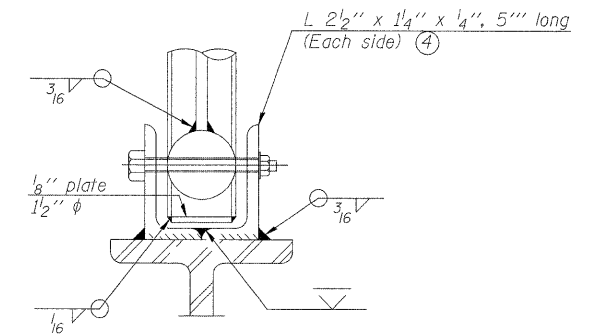


**ALTERNATE SAFETY CHAIN ATTACHMENT**

(With Sign Present)  
Items not shown same as "Side Elevation" of "Handrail Details"

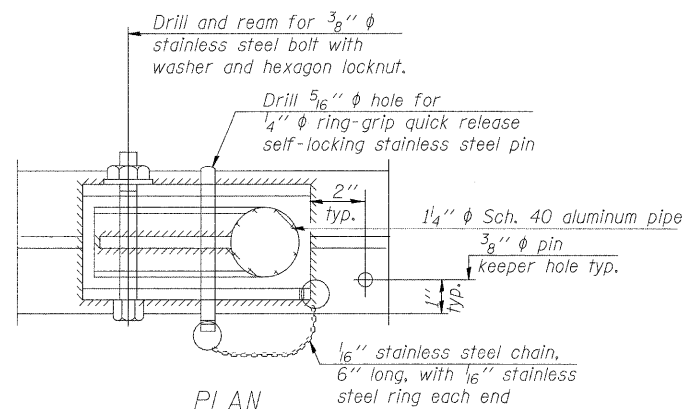


**SIDE ELEVATION**



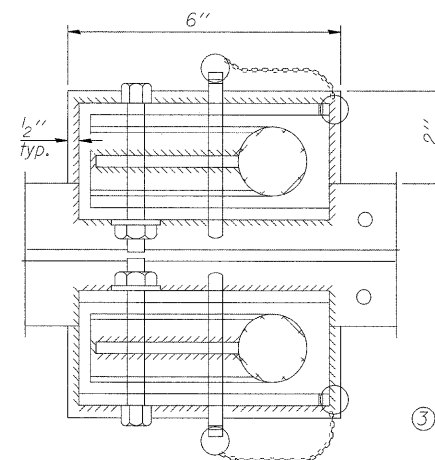
**FRONT ELEVATION**

See "ELEVATION" at right for dimensions.



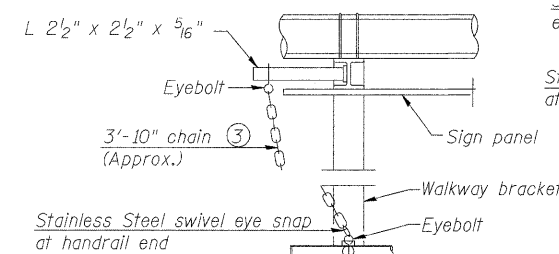
**PLAN**

**DETAIL E HANDRAIL HINGE**



**PLAN AT HANDRAIL JOINT**

Details not shown same as "PLAN"

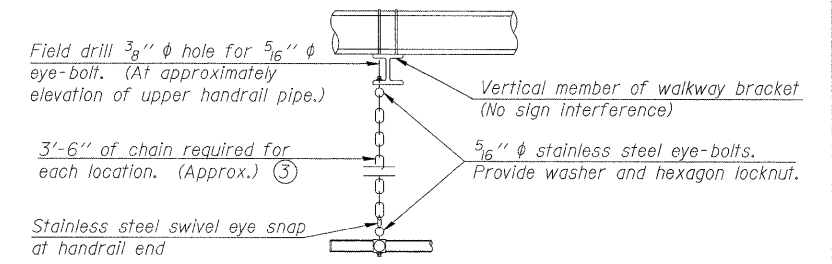


**ALTERNATE SAFETY CHAIN ATTACHMENT**

Details not shown similar to "Safety Chain" Details (Walkway omitted for clarity)

③ 3/16" type 304L stainless steel chain, approximately 12 links per foot.

④ Extrusions may be used in lieu of the details shown, with approval of the Engineer.



**SAFETY CHAIN**

One required for each end of each walkway.

NUMBER	REVISION	DATE

OS-A-11-DMS

12-1-08

FILE NAME =	USER NAME = #USER#	DESIGNED -	REVISOR -
#FILE#		DRAWN -	REVISOR -
	PLOT SCALE = #SCALE#	CHECKED -	REVISOR -
	PLOT DATE = #DATE#	DATE -	REVISOR -

**STATE OF ILLINOIS**  
**DEPARTMENT OF TRANSPORTATION**

**OVERHEAD SIGN STRUCTURES ALTERNATE**  
**ALUMINUM HANDRAIL DETAILS FOR DMS**

**OVERHEAD SIGN STRUCTURES**  
**ALTERNATE ALUMINUM HANDRAIL DETAILS**  
**FOR DMS**

SCALE: _____	SHEET NO. _____ OF _____ SHEETS	STA. _____ TO STA. _____	F.A.I. RTE. 64	SECTION Dist 8 ITS 2010-3	COUNTY ST CLAIR	TOTAL SHEETS 14	SHEET NO. 12
			FED. ROAD DIST. NO. _____ ILLINOIS FED. AID PROJECT		CONTRACT NO. 76C64		