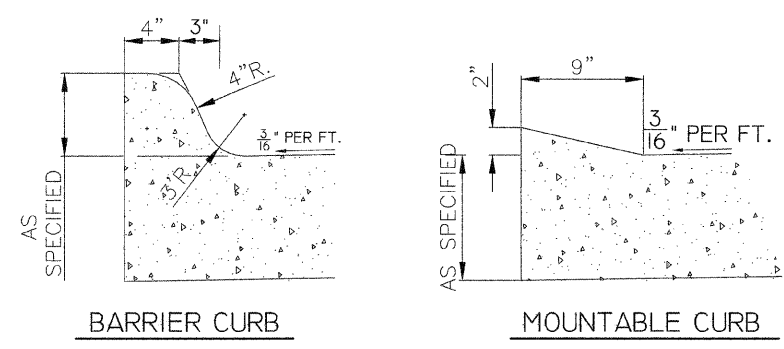
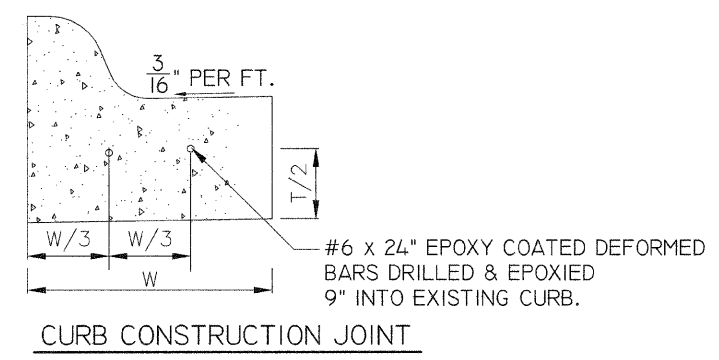


05700

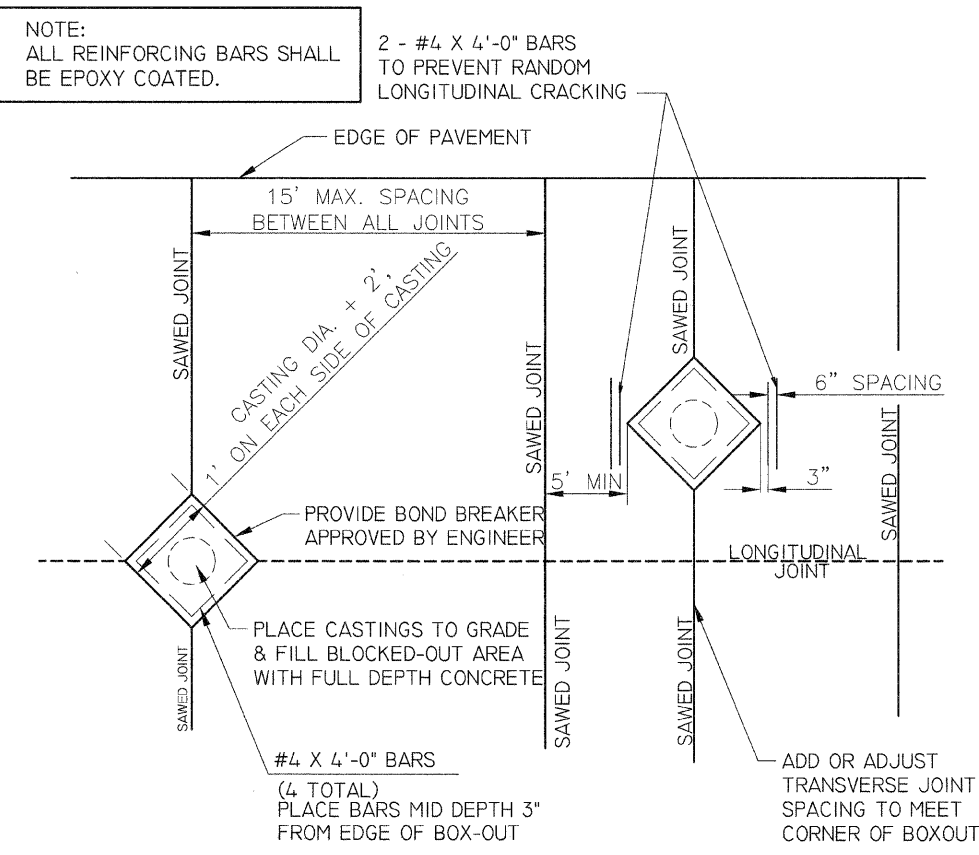
F.A.U. RTE	SECTION	COUNTY	TOTAL SHEETS	SHEET NO.
5763	09-00242-00-RP	ROCK ISLAND	50	46



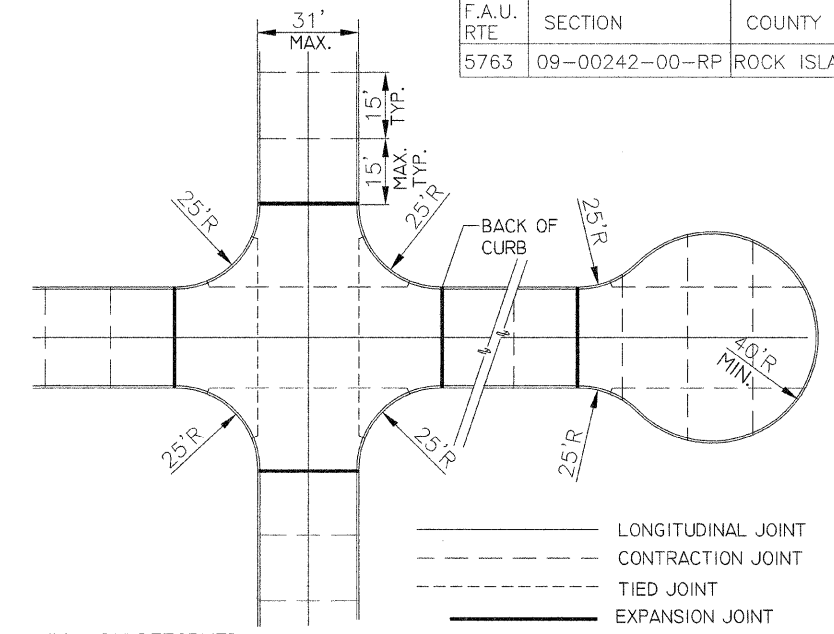
NOTE:  
ALL HONEYCOMBED AND OR POROUS AREAS IN BACK OF CURB WILL BE CORRECTED AS DIRECTED BY THE ENGINEER.



	INTEGRAL CURB DETAIL	
	DATE 12/05	CITY OF MOLINE STANDARD #2

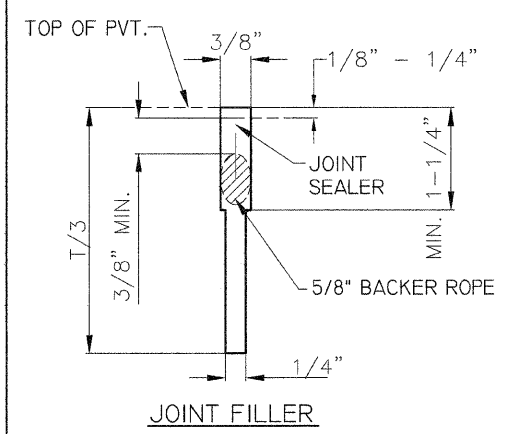


MANHOLE BOX OUT DETAIL	
DATE 1/07	CITY OF MOLINE STANDARD #3

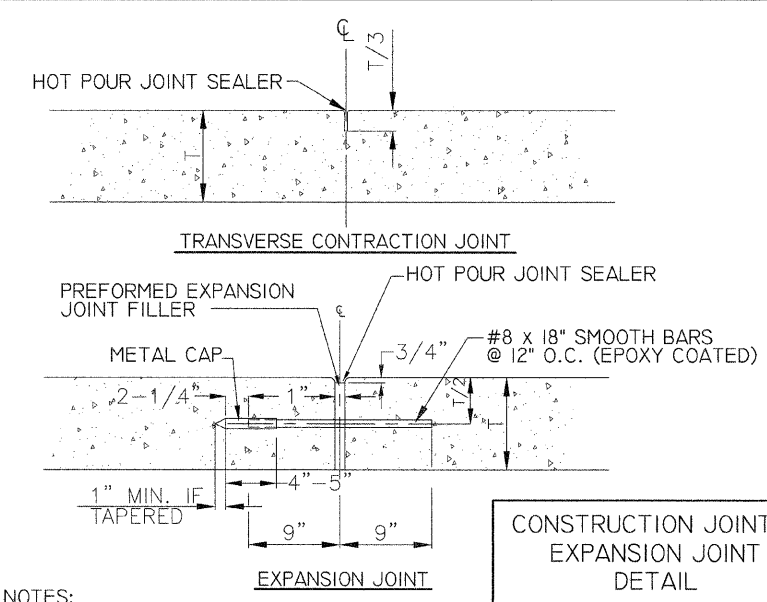


JOINT TYPE & LAYOUT DETAIL		
DATE 2/05	CITY OF MOLINE STANDARD	#4

NOTE:  
ADDITIONAL EXPANSION JOINTS TO BE PLACED AT MAX. 400' SPACING, INCIDENTAL TO PAVEMENT CONSTRUCTION.  
ALL REINFORCING BARS SHALL BE EPOXY COATED.

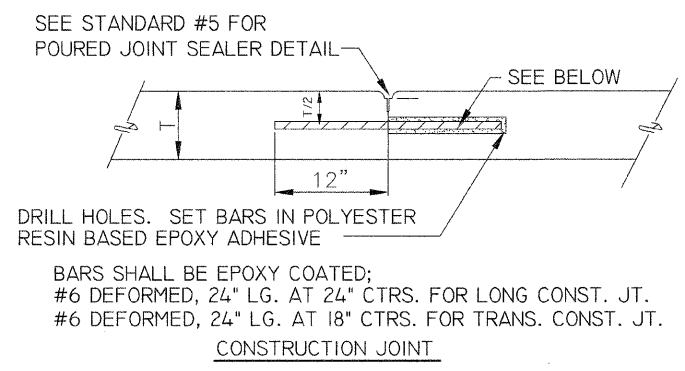


- AFTER SAWING, FLUSH JOINT WITH WATER OR AIR.
- CLEAN BY SAND BLASTING UNTIL SURFACES ARE FREE OF SAWCUTTING FINES
- JUST PRIOR TO INSTALLATION OF BACKER ROPE, BLOW WITH OIL AND WATER FREE COMPRESSED AIR TO ELIMINATE SAND AND WATER.

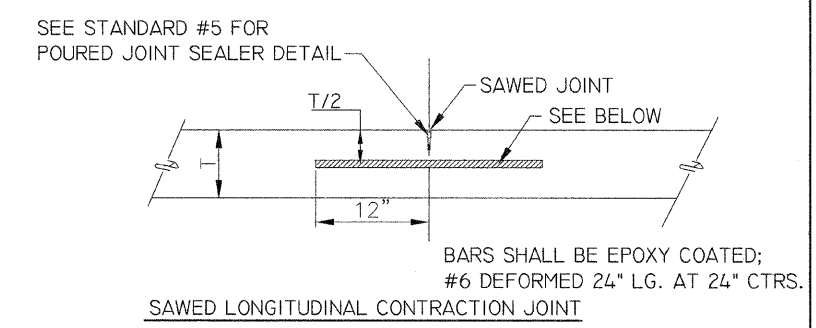


NOTES:  
HOLES SHALL BE DRILLED IN PREFORMED EXPANSION JOINT FILLER.  
NO SLOTS OR GAPS WILL BE ALLOWED.  
DOWEL BARS SHALL BE GREASED TO THE SATISFACTION OF THE ENGINEER.

CONSTRUCTION JOINT & EXPANSION JOINT DETAIL	
DATE 12/05	CITY OF MOLINE STANDARD #5



BARS SHALL BE EPOXY COATED;  
#6 DEFORMED, 24" LG. AT 24" CTRS. FOR LONG CONST. JT.  
#6 DEFORMED, 24" LG. AT 18" CTRS. FOR TRANS. CONST. JT.



LONGITUDINAL JOINT & TRANSVERSE JOINT DETAIL	
DATE 12/05	CITY OF MOLINE STANDARD #6

CITY OF MOLINE  
 DEPARTMENT OF PUBLIC WORKS - ENGINEERING DIVISION  
 3635 4TH AVENUE, MOLINE, IL 61265  
 (309) 797-0700  
 CITY ENGINEER - SCOTT HINTON, P.E.

5TH AVENUE  
 14TH TO 17TH STREET  
 MOLINE DETAILS

Date	Revision
9/25/09	PER IDOT COMMENTS
8/14/09	PER IDOT COMMENTS

Date	5-15-09	Sheet	46 OF 50
Scale	NTS	DESIGNER	MEF
MTY PROJ. #	09-00242-00-RP		