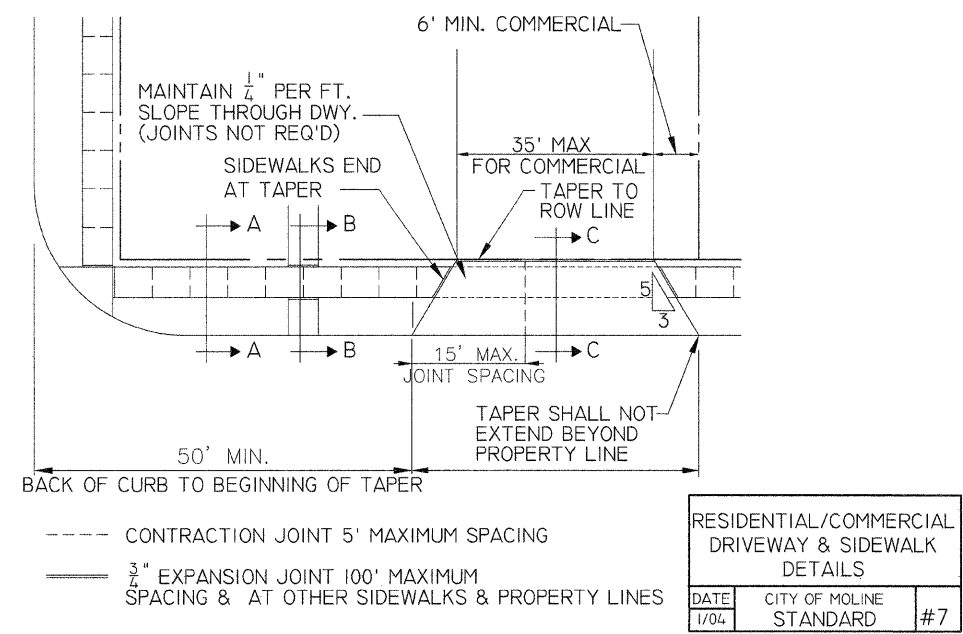
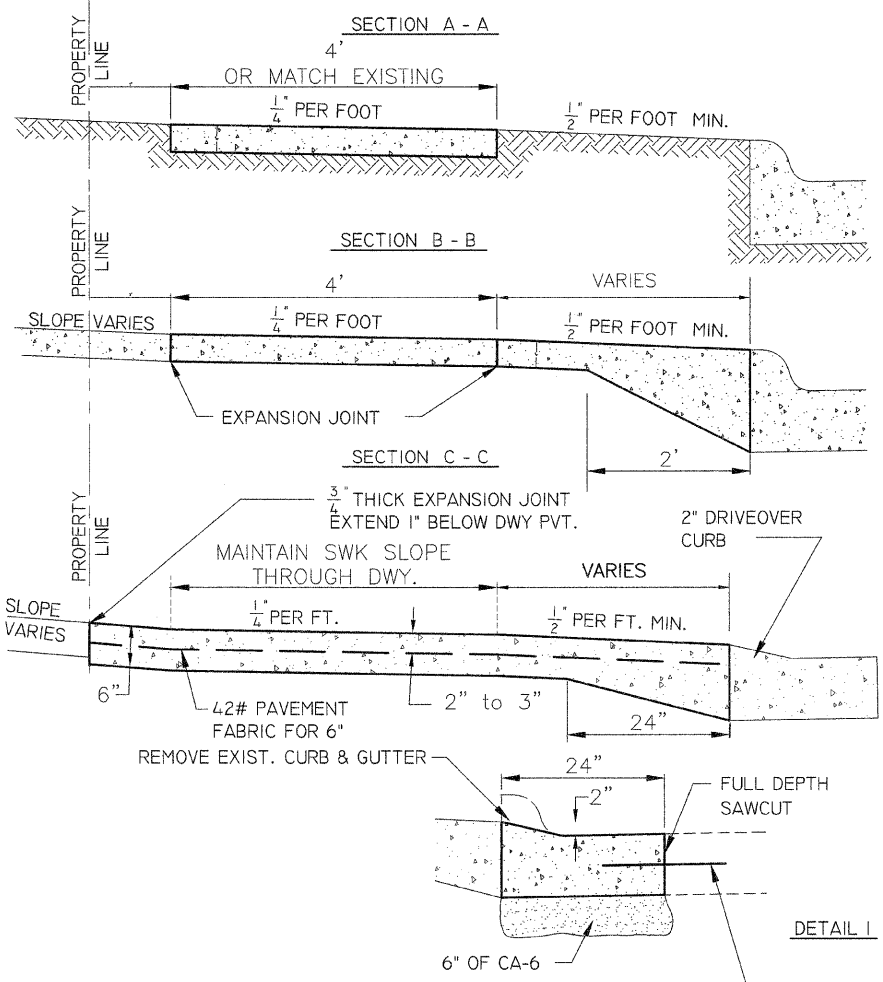


0570P

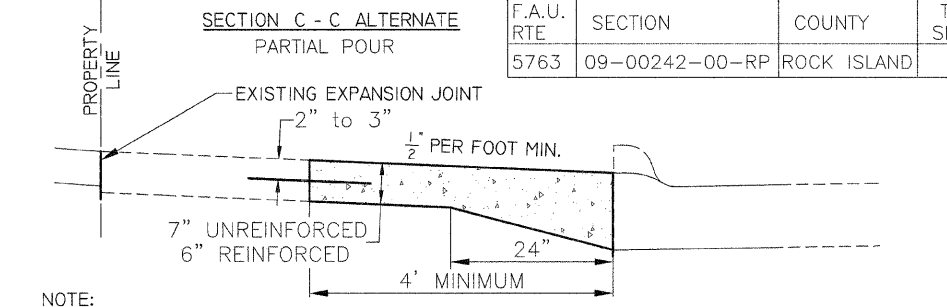
F.A.U. RTE	SECTION	COUNTY	TOTAL SHEETS	SHEET NO.
5763	09-00242-00-RP	ROCK ISLAND	50	47



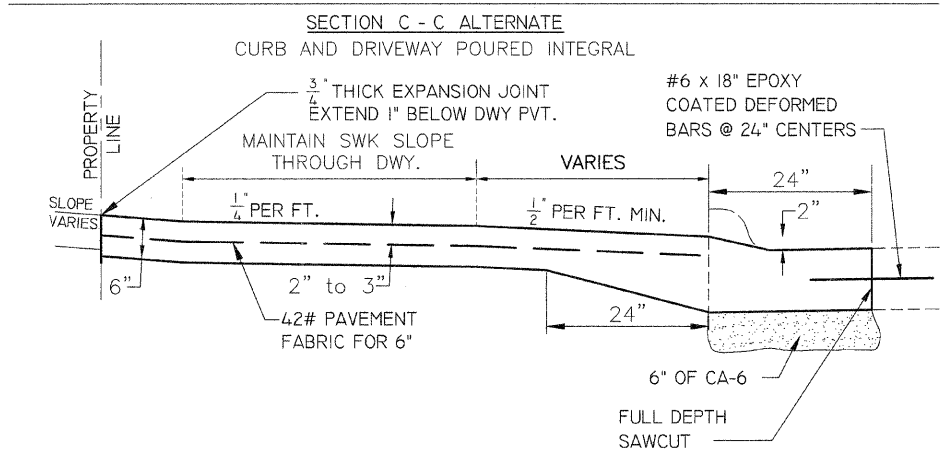
RESIDENTIAL/COMMERCIAL DRIVEWAY & SIDEWALK DETAILS		
DATE	CITY OF MOLINE STANDARD	#7
1/04		



NOTE:
 NO MORE THAN ONE DRIVEWAY PER LOT
 ALL JOINTS AT BACK OF CURB SHALL BE SEALED WITH APPROVED POURED JOINT SEALER.
 DRIVEWAY PAVEMENT SHALL BE 6" REINFORCED OR 7" PLAIN CEMENT CONCRETE.
 WHERE THE STREET PAVEMENT HAS 4" DRIVEOVER CURB, THE CURB MAY REMAIN INTACT. NO MATERIAL WILL BE ALLOWED TO BE PLACED IN THE GUTTER.
 BARS TO BE 18" LONG, DRILLED AND EPOXYED 9" INTO EXISTING PAVEMENT.
 #6 X 18" EPOXY COATED DEFORMED BARS @ 24" O.C.
 WHERE THE STREET PAVEMENT HAS 6" CURB, THE CURB SHALL BE REMOVED & REPLACED AS SHOWN IN DETAIL I OR C-C ALT. CURB MAY BE CUT OFF WITH A SAW DESIGNED FOR THIS APPLICATION.
 REINFORCING SHALL BE MESH WEIGHING 42 LBS. PER 100 SQUARE FEET.

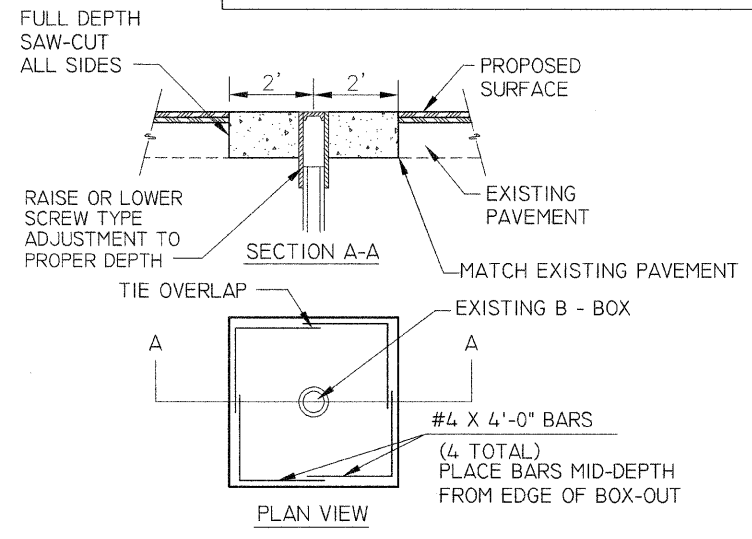
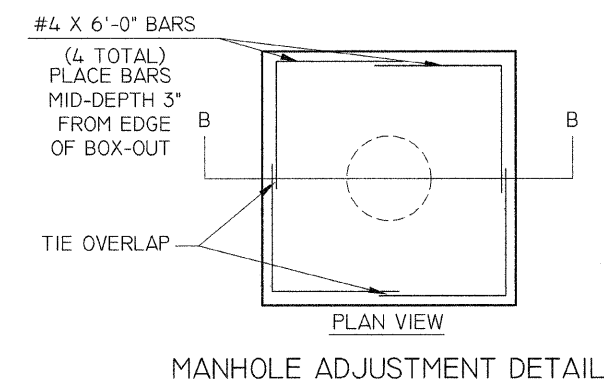
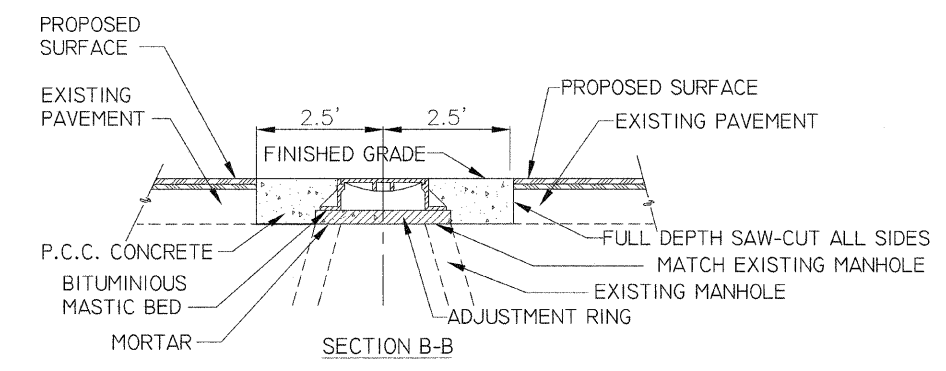


NOTE:
 #4 X 18" EPOXY COATED DEFORMED BARS @ 12" CENTERS.
 NO EXPANSION JOINT IS REQUIRED.

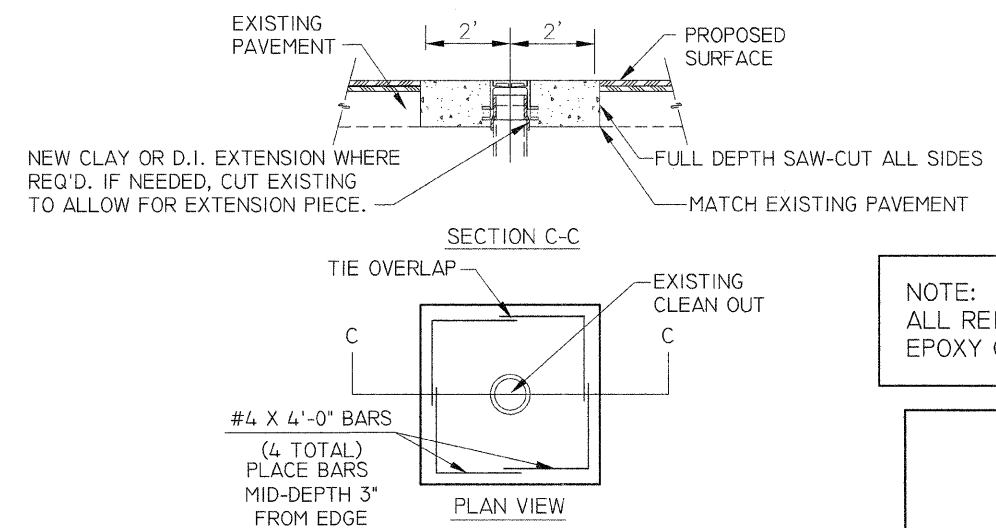


WHERE THE STREET PAVEMENT HAS 4" DRIVEOVER CURB, THE CURB MAY REMAIN INTACT. NO MATERIAL WILL BE ALLOWED TO BE PLACED IN THE GUTTER.
 BARS TO BE 18" LONG, DRILLED AND EPOXYED 9" INTO EXISTING PAVEMENT.

TYPICAL BOULEVARD SECTIONS DETAIL		
DATE	CITY OF MOLINE STANDARD	#7A
2/05		



B - BOX ADJUSTMENT DETAIL



CLEAN OUT ADJUSTMENT DETAIL

NOTE:
 ALL REINFORCING BARS SHALL EPOXY COATED

TYPICAL ADJUSTMENT DETAIL		
DATE	CITY OF MOLINE STANDARD	#9
7/03		

CITY OF MOLINE
 DEPARTMENT OF PUBLIC WORKS - ENGINEERING DIVISION
 3635 4TH AVENUE, MOLINE, IL 61265
 (309) 797-0700
 CITY ENGINEER - SCOTT HINTON, P.E.

5TH AVENUE
 14TH TO 17TH STREET
 MOLINE DETAILS

Date	Revision
9/25/09	PER IDOT COMMENTS
8/14/09	PER IDOT COMMENTS

Date	5-15-09	Sheet	47
Scale	NTS	OF	50
MTT PROJ. #	09-00242-00-RP	DESIGNER	MEF