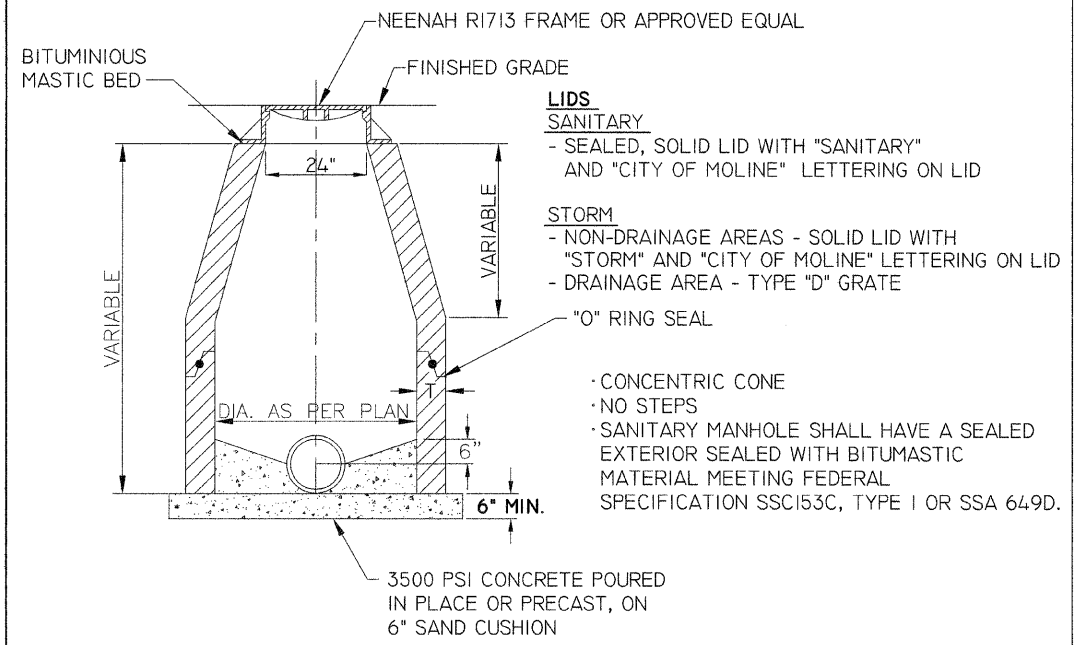
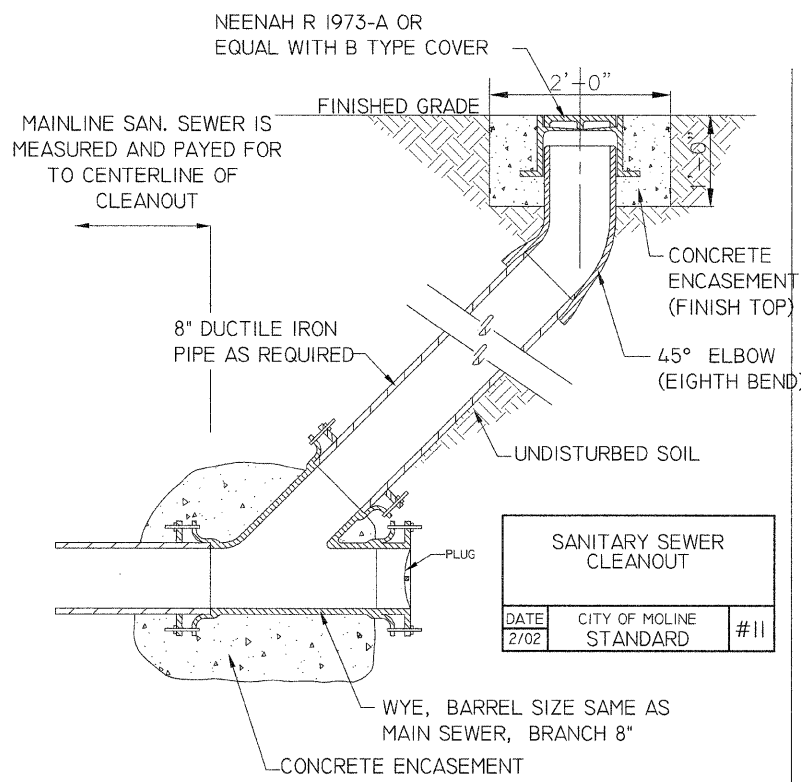


F.A.U. RTE	SECTION	COUNTY	TOTAL SHEETS	SHEET NO.
5763	09-00242-00-RP	ROCK ISLAND	50	48

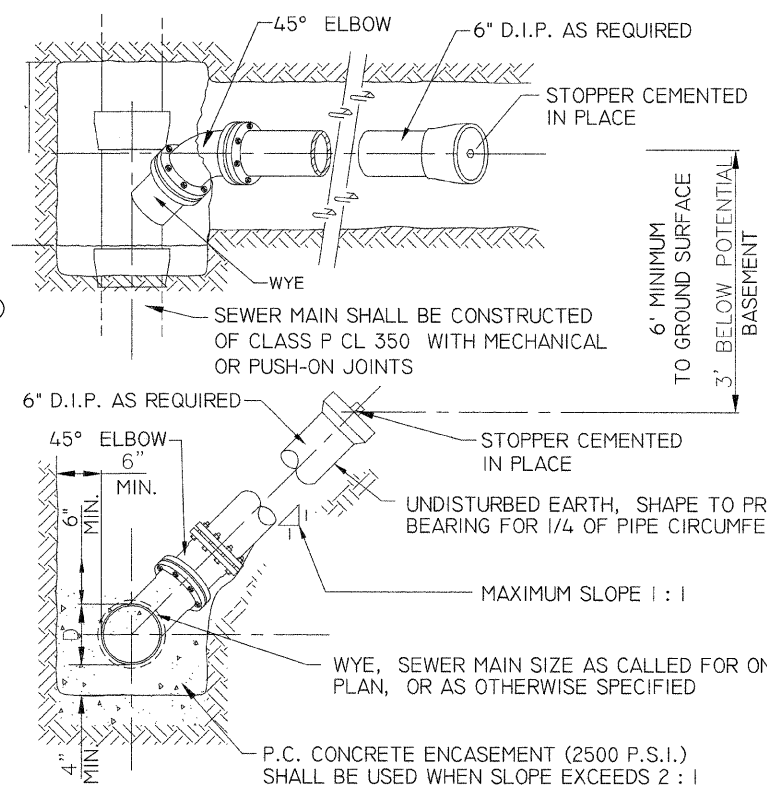


TYPICAL MANHOLE DETAIL		
DATE	CITY OF MOLINE STANDARD	#10
9/09		

MATERIAL WALL THICKNESS (T)
 PRE-CAST CONC. - MIN. 1/12 "D"
 CAST-IN-PLACE CONC. MIN. 6"

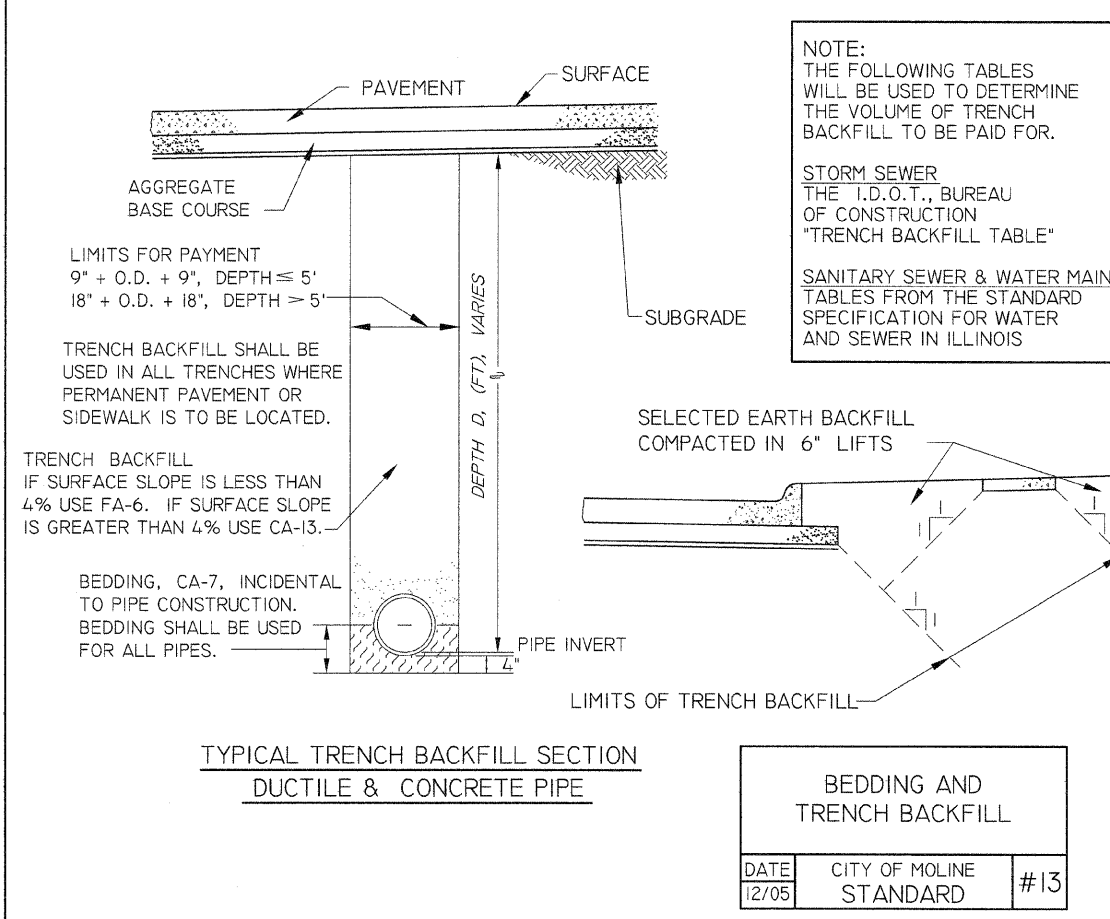


SANITARY SEWER CLEANOUT		
DATE	CITY OF MOLINE STANDARD	#11
2/02		



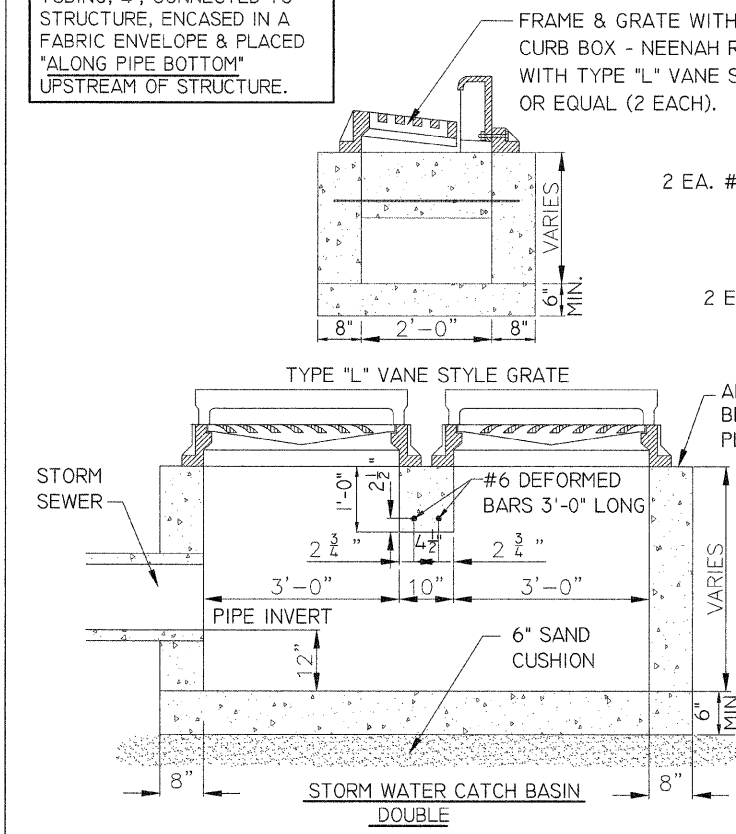
NOTE:
 RISERS TO BE CONSTRUCTED WHERE SEWER DEPTH EXCEEDS 6' BELOW POTENTIAL BASEMENT.
 ALL SERVICE SEWER IN R.O.W. SHALL BE 6" D.I.P.

TYPICAL SERVICE CONNECTION AND SEWER MAIN		
DATE	CITY OF MOLINE STANDARD	#12
12/05		

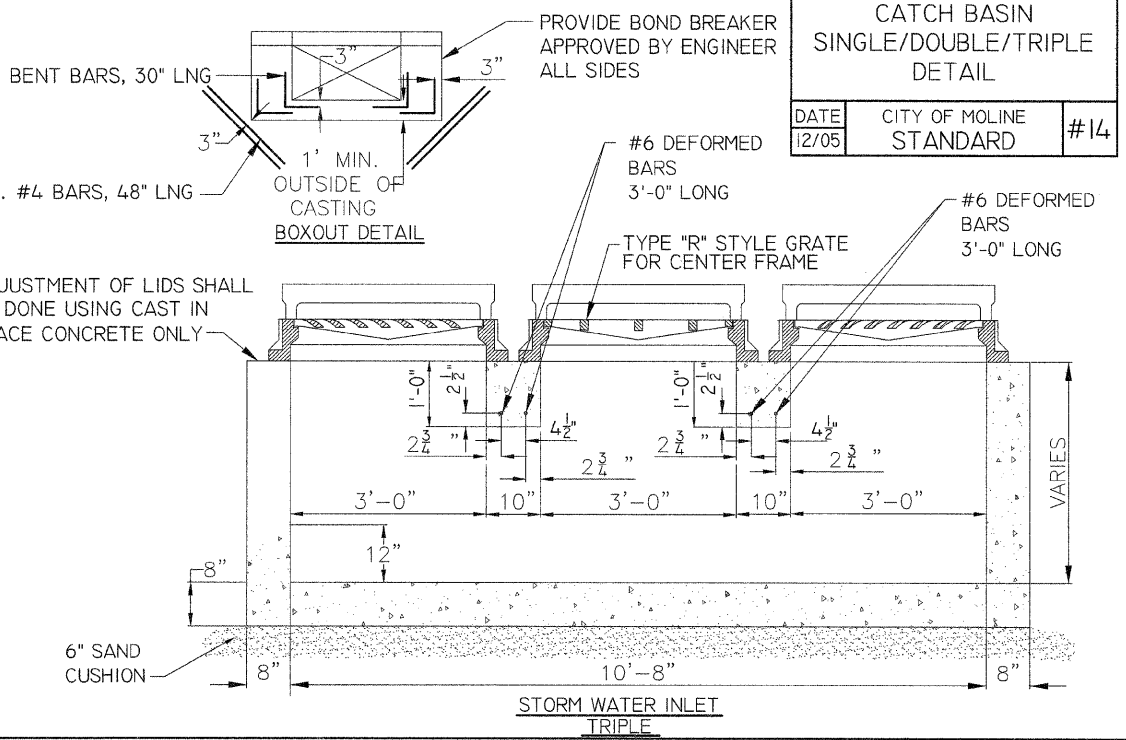


BEDDING AND TRENCH BACKFILL		
DATE	CITY OF MOLINE STANDARD	#13
12/05		

STRUCTURE SHALL INCLUDE A 6 FT. LENGTH OF PERFORATED, CORRUGATED, POLYETHYLENE TUBING, 4", CONNECTED TO STRUCTURE, ENCASED IN A FABRIC ENVELOPE & PLACED "ALONG PIPE BOTTOM" UPSTREAM OF STRUCTURE.



NOTES:
 NO PART OF PIPE SHALL BE PLACED WITHIN 9 INCHES OF THE Q OF BEAMS.
 2 L.F. OF CURB AND GUTTER (EACH SIDE) SHALL BE INCLUDED AS PART OF CATCHBASIN CONSTRUCTION AND ADJUSTMENT IF NOT WITHIN NEW PVT. CONSTRUCTION.
 ALL REINFORCING BARS SHALL BE EPOXY COATED.



CATCH BASIN SINGLE/DOUBLE/TRIPLE DETAIL		
DATE	CITY OF MOLINE STANDARD	#14
12/05		

CITY OF MOLINE
 DEPARTMENT OF PUBLIC WORKS - ENGINEERING DIVISION
 3635 4TH AVENUE, MOLINE, IL 61265
 (309) 797-0700
 CITY ENGINEER - SCOTT HINTON, P.E.

5TH AVENUE
 14TH TO 17TH STREET
 MOLINE DETAILS

Date	Revision
9/25/09	PER IDOT COMMENTS
8/14/09	PER IDOT COMMENTS

Date	5-15-09	Sheet	48
Scale	NTS	of	50
MFT PROJ. #	09-00242-00-RP	DESIGNER	MEF