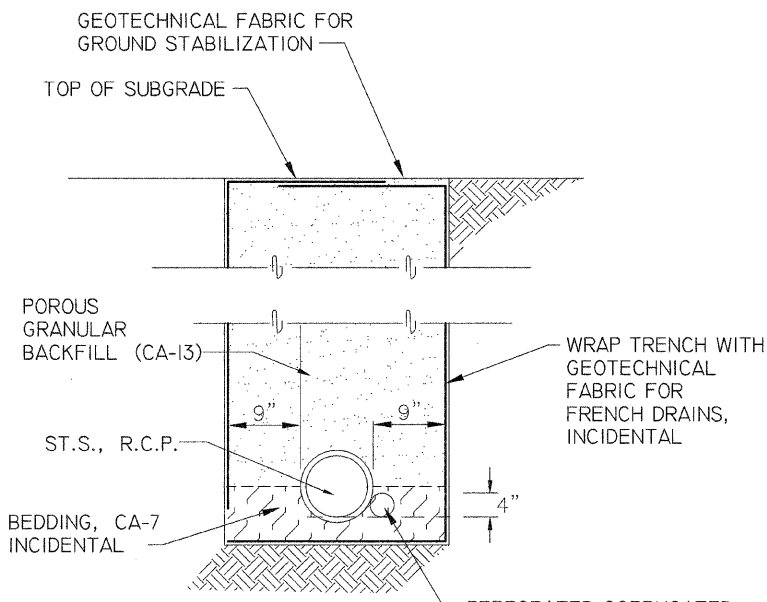
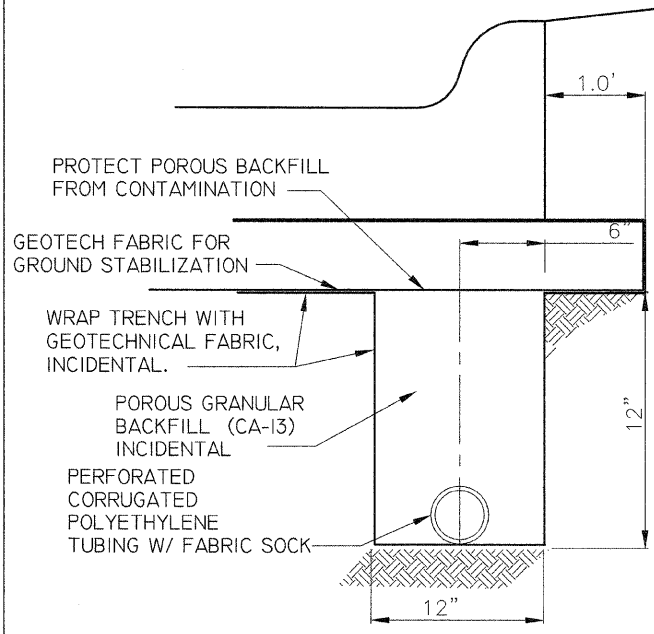


05486

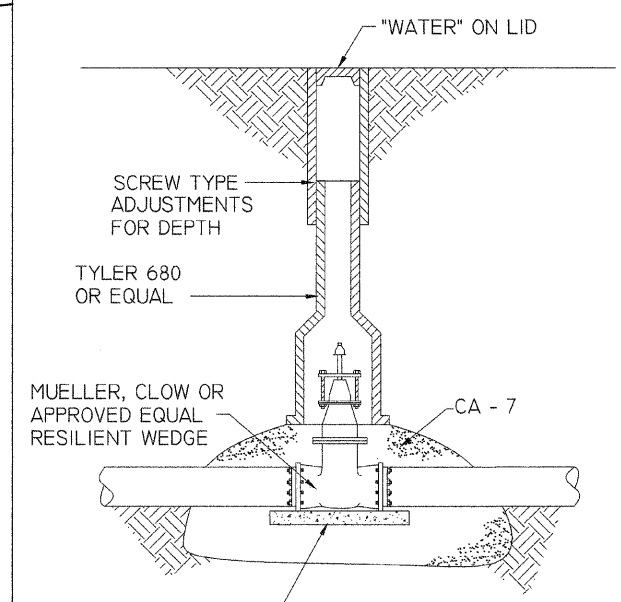
F.A.U. RTE	SECTION	COUNTY	TOTAL SHEETS	SHEET NO.
5763	09-00242-00-RP	ROCK ISLAND	50	49



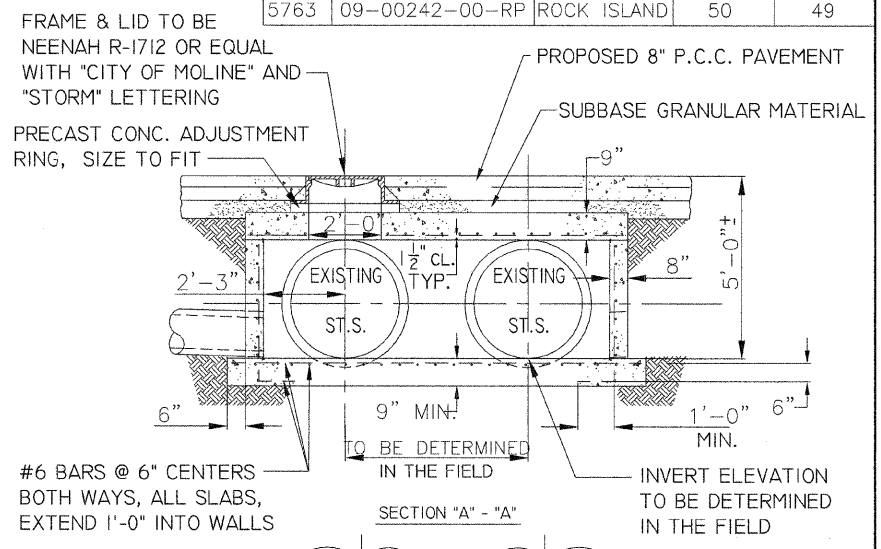
UNDERDRAIN DETAIL
 DATE: 12/05
 CITY OF MOLINE STANDARD
 #18



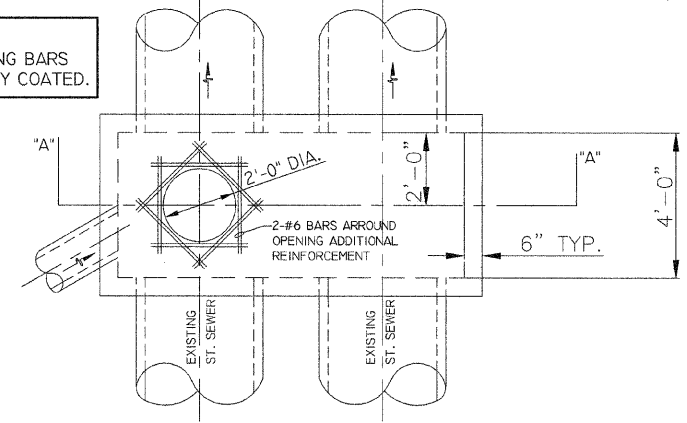
PIPE UNDERDRAIN DETAIL
 DATE: 12/05
 CITY OF MOLINE STANDARD
 #18A



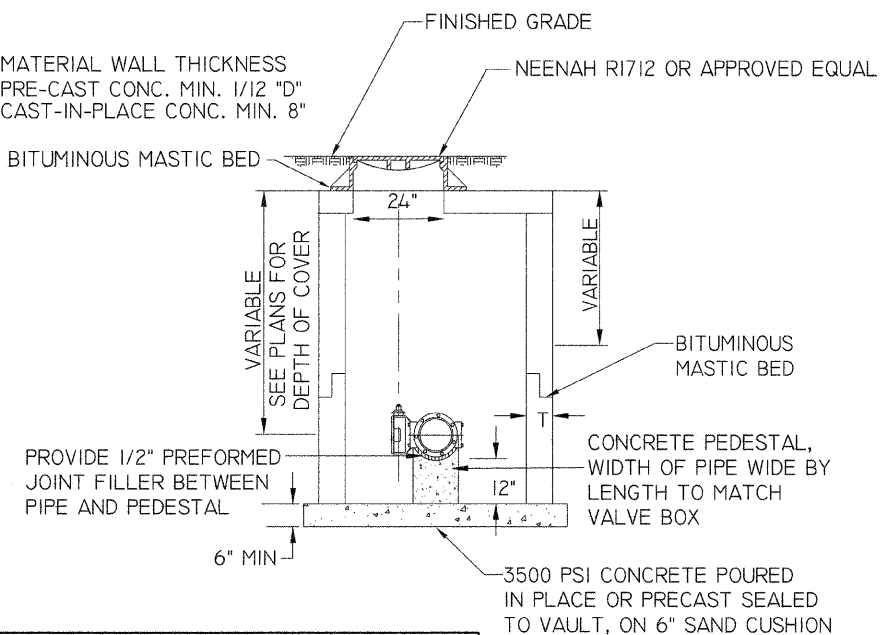
GATE VALVE BOX INSTALLATION
 DATE: 9/02
 CITY OF MOLINE STANDARD
 #22



NOTE: ALL REINFORCING BARS SHALL BE EPOXY COATED.

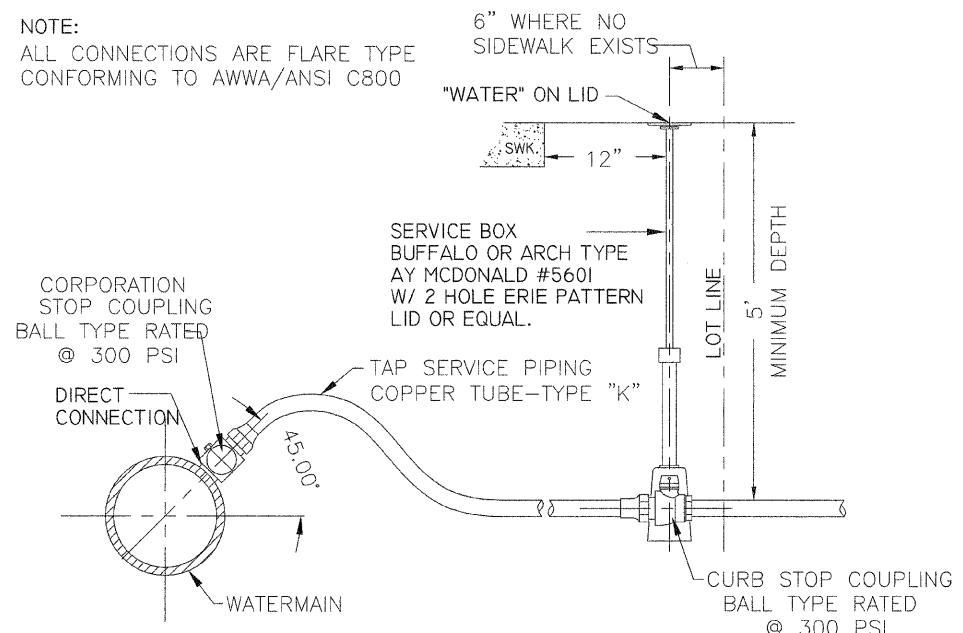


JUNCTION CHAMBER SPECIAL
 DATE: 4/09
 CITY OF MOLINE STANDARD
 21A



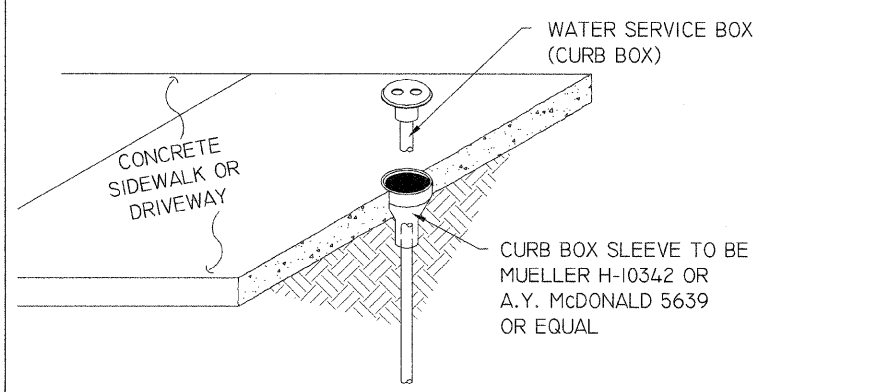
NOTE: VALVE VAULT DIA. SHALL BE 48" FOR 8" AND SMALLER VALVES AND 60" FOR 10" AND LARGER VALVES.
 LIDS SHALL HAVE "CITY OF MOLINE" AND "WATER" LETTERING
 FRAMES AND LIDS SHALL BE LOCATED OVER CENTER OF OPERATING NUT.

TYPICAL VALVE VAULT DETAIL
 DATE: 9/09
 CITY OF MOLINE STANDARD
 #23



NOTE: Each water service pipe shall be connected to the water main through a brass corporation stop. The main shall be tapped at an angle of 45 degrees with the vertical, and the stop must be turned so that the T-handle will be on the top. Any damage, tears, cuts, etc. of the polyethylene wrap shall be repaired after tapping and prior to backfilling.

DIRECT TAP SERVICE PIPING (COPPER)
 DATE: 12/05
 CITY OF MOLINE STANDARD
 #24



CURB BOX AND SLEEVE
 DATE: 10/95
 CITY OF MOLINE STANDARD
 #25

CITY OF MOLINE
 DEPARTMENT OF PUBLIC WORKS - ENGINEERING DIVISION
 3635 4TH AVENUE, MOLINE, IL 61265
 (309) 797-0700
 CITY ENGINEER - SCOTT HINTON, P.E.

5TH AVENUE
 14TH TO 17TH STREET
 MOLINE DETAILS

Date	Revision
9/25/09	PER IDOT COMMENTS
8/14/09	PER IDOT COMMENTS

Date	5-15-09	Sheet	49
Scale	NTS	of	50
MTY PROJ. #	09-00242-00-RP	DESIGNER	MEF