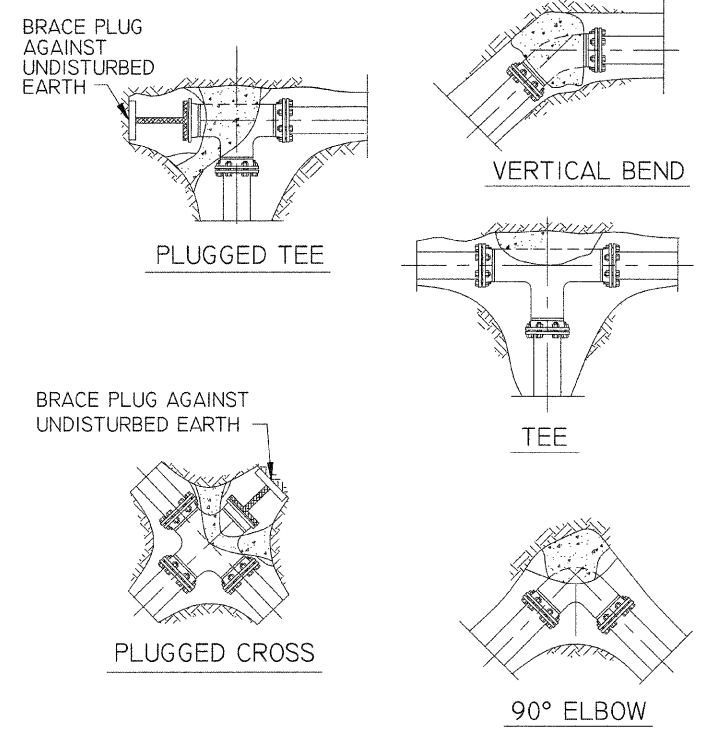


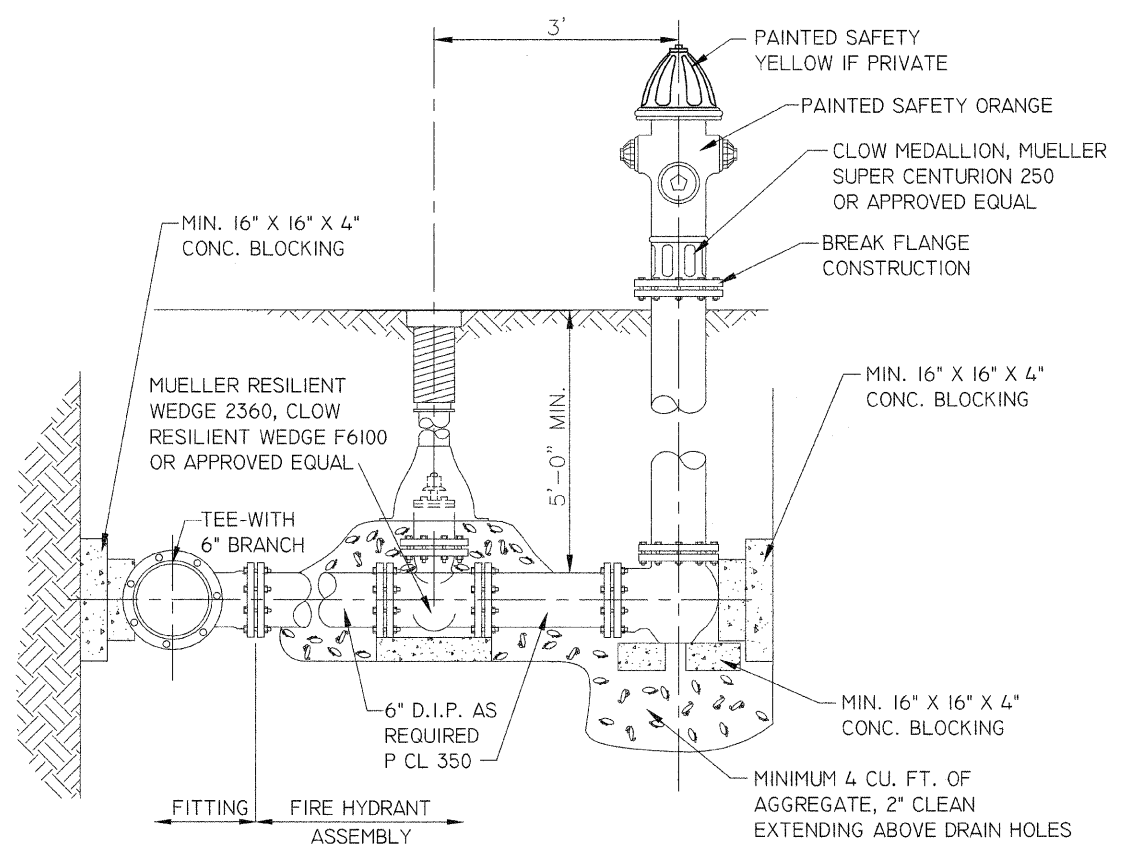
F.A.U. RTE	SECTION	COUNTY	TOTAL SHEETS	SHEET NO.
5763	09-00242-00-RP	ROCK ISLAND	50	50



NOTES:

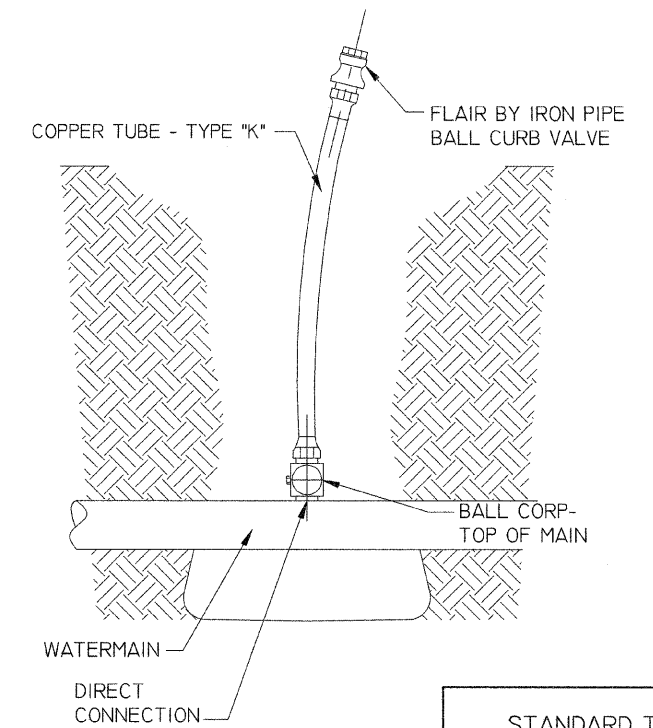
ALL BLOCKS BEAR AGAINST UNDISTURBED EARTH.
ARROWS INDICATE DIRECTION OF THRUST.
ALL BLOCKS TO BE 3500 P.S.I. CONCRETE.
ALL FITTINGS SHOWN IN PLAN EXCEPT VERTICAL BEND.

THRUST BLOCK INSTALLATIONS		
DATE	CITY OF MOLINE STANDARD	#26
2/96		



FIRE HYDRANT ASSEMBLY		
DATE	CITY OF MOLINE STANDARD	#27
12/05		

NOTE: HYDRANT CONNECTIONS SHALL BE MADE WITH MJ FIELD LOK JOINTS.



STANDARD TEST CONNECTION		
DATE	CITY OF MOLINE STANDARD	#28
2/09		

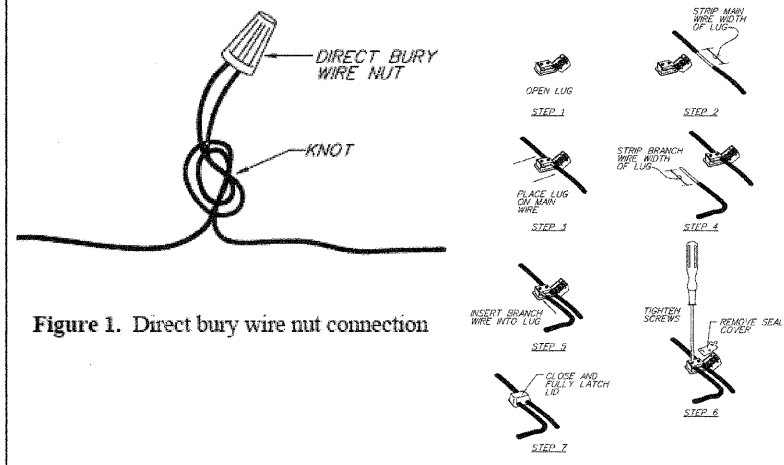


Figure 1. Direct bury wire nut connection

Figure 2. Direct bury lug connection

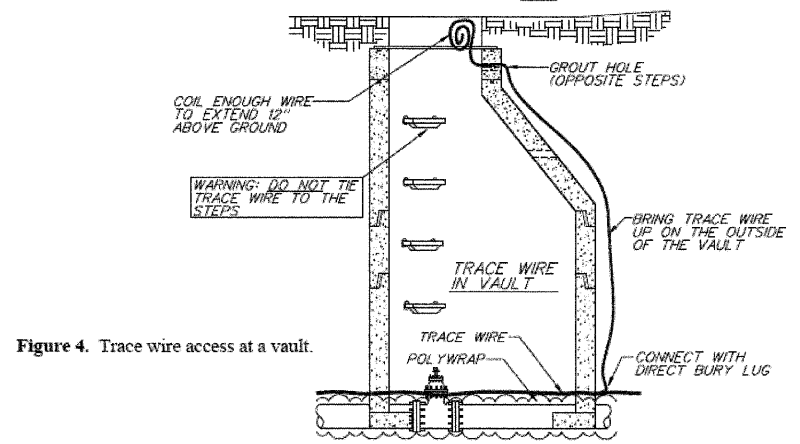


Figure 4. Trace wire access at a vault.

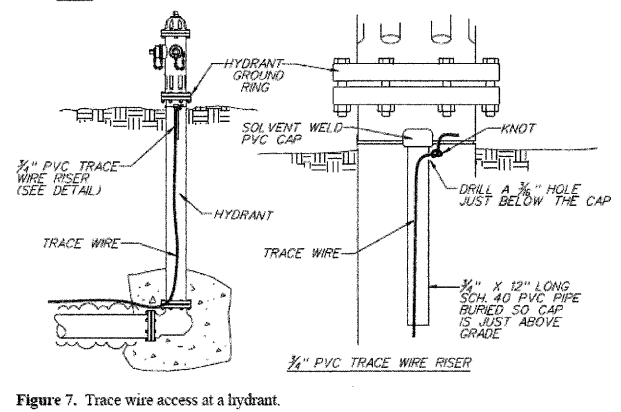


Figure 7. Trace wire access at a hydrant.

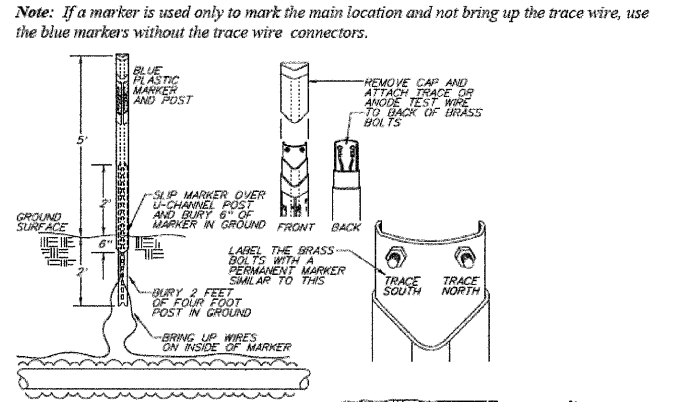


Figure 5. Trace wire access at a pipeline marker.

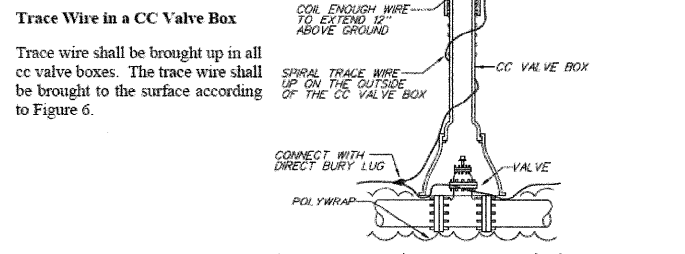


Figure 6. Trace wire access at a cc valve box.

TRACER WIRE INSTALLATIONS		
DATE	CITY OF MOLINE STANDARD	#29
8/09		

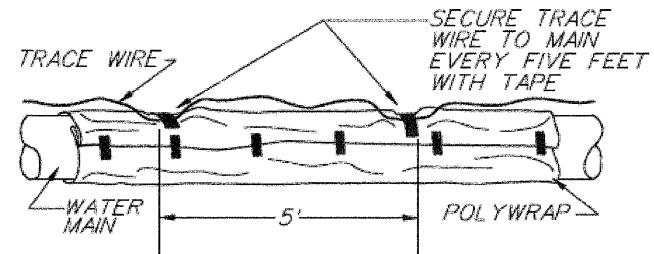


Figure 3. Trace wire installation.

CITY OF MOLINE
DEPARTMENT OF PUBLIC WORKS - ENGINEERING DIVISION
3635 4TH AVENUE, MOLINE, IL 61265
(309) 797-0700
CITY ENGINEER - SCOTT HINTON, P.E.

5TH AVENUE
14TH TO 17TH STREET
MOLINE DETAILS

Date	Revision
9/25/09	PER IDOT COMMENTS
8/14/09	PER IDOT COMMENTS

Date	Sheet
5-15-09	50 OF 50
Scale	NTS
MFT PROJ. #	DESIGNER
09-00242-00-RP	MEF