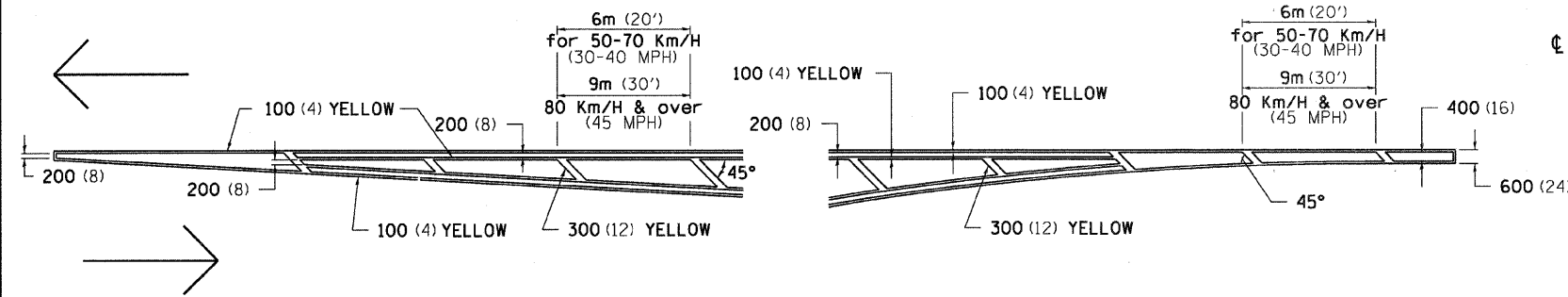
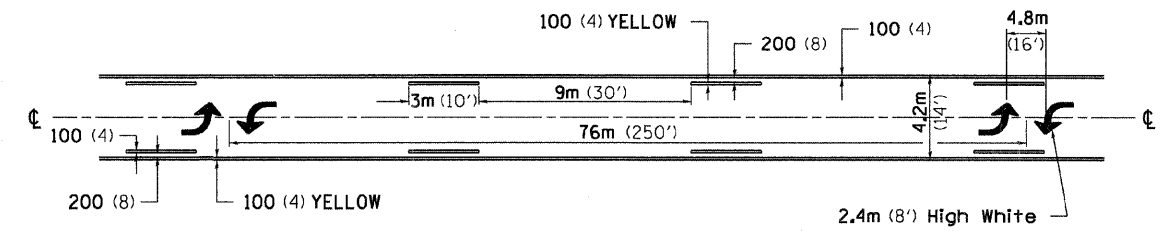


TYPICAL PAVEMENT MARKINGS

TYPICAL PAVEMENT MARKING FOR FLUSH MEDIAN AT LEFT TURN LANE

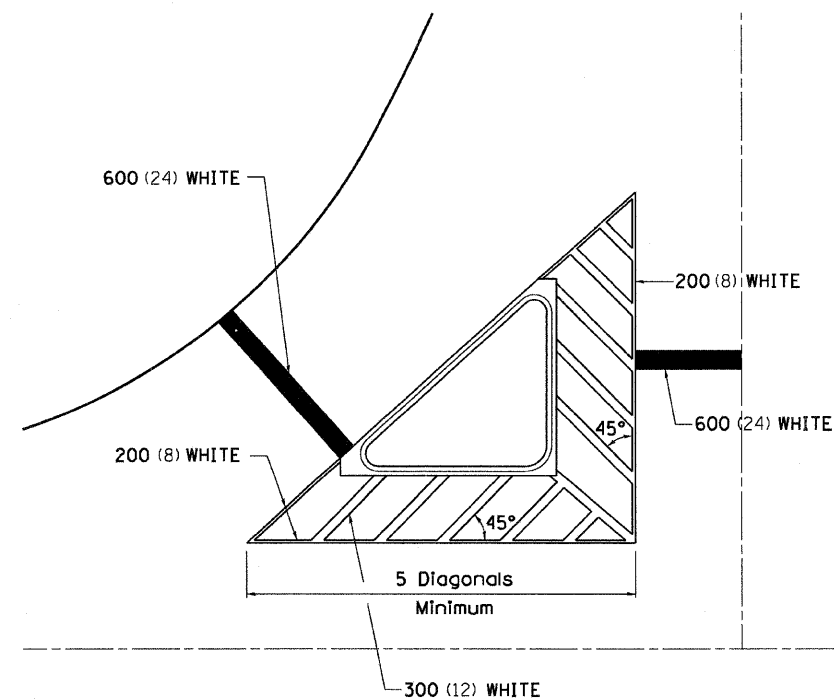


MEDIAN PAVEMENT MARKING

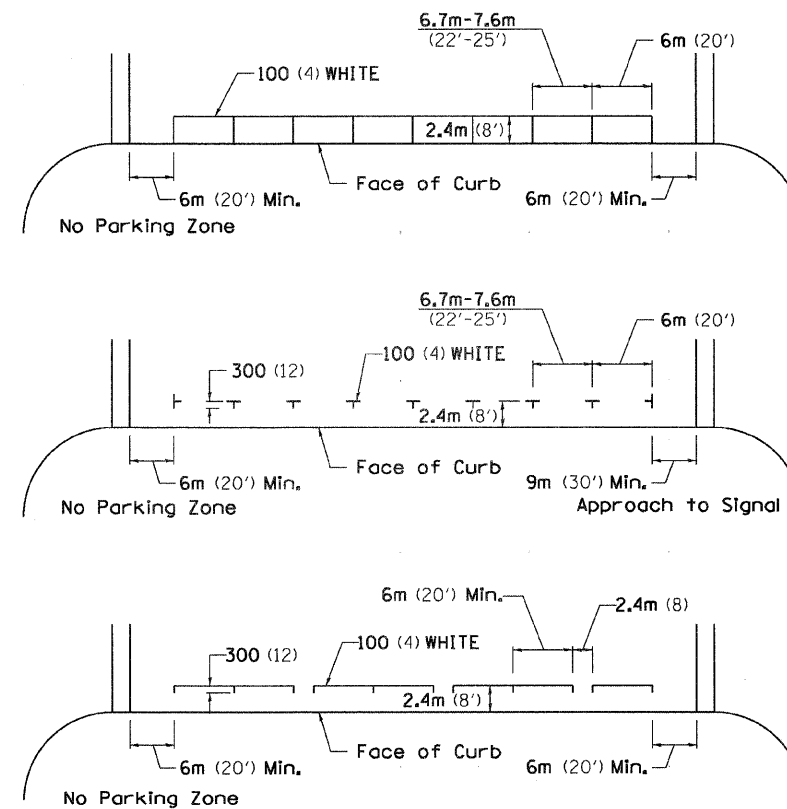


•• ALL DIMENSIONS ARE IN MILLIMETERS (INCHES) UNLESS OTHERWISE NOTED.

TYPICAL ISLAND OFFSET SHOULDER WIDTH

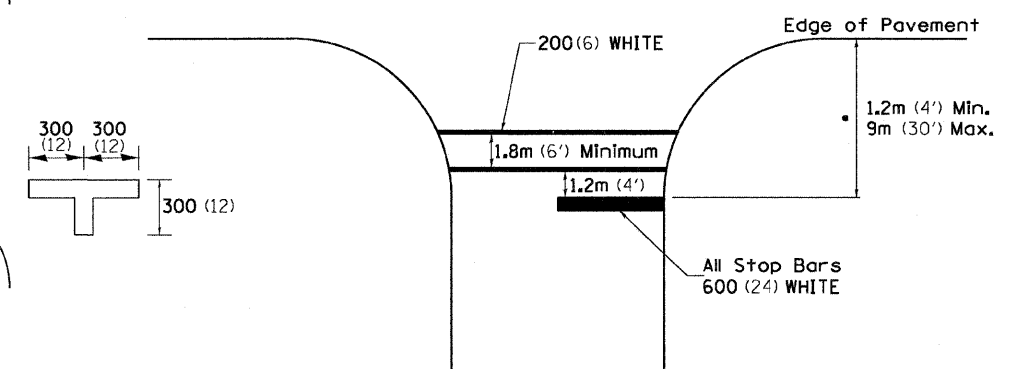


TYPICAL PARKING SPACING



STANDARD CROSSWALK MARKING

See Schedules for Locations



• Distance to the nearest edge of the intersecting roadway in the absence of a marked crosswalk.

FILE NAME =	USER NAME = \$USER\$	DESIGNED -	REVISED - 10-21-08	STATE OF ILLINOIS DEPARTMENT OF TRANSPORTATION	REGION 2 / DISTRICT 2 STANDARD	F.A. RTE.	SECTION	COUNTY	TOTAL SHEETS	SHEET NO.		
C:\Documents and Settings\meglil\l\Desktop\025standards.cel		DRAWN -	REVISED -			SCALE: _____	SHEET NO. ___ OF ___ SHEETS	STA. _____ TO STA. _____	CONTRACT NO. _____			
PLOT SCALE = 1:0000' / IN.		CHECKED -	REVISED -			FED. ROAD DIST. NO. _____ ILLINOIS FED. AID PROJECT						
PLOT DATE = Tue Oct 21 14:39:35 2008		DATE -	REVISED -									

SHEET REVIEW		REVISIONS		SCALE: NA	McClure Engineering Associates, Inc. 7282 Argus Drive (815) 398-2332 Rockford, Illinois 61107-5837 FAX (815) 398-2496 Design Firm License: Illinois 184-000916 Copyright 2009 By McClure Engineering Associates, Inc.	IDOT DISTRICT 2 HIGHWAY STANDARDS-4		SHEET NO. 17 OF 23
AGENCY	DATE	NO.	ITEM	DATE		LONGWOOD STREET (SECTION 09-00568-00-RS)	WHITMAN STREET INTERCHANGE	
					DATE: 10/16/09	FILE: H:\09-024 WHITMAN INTERCHANGE\DESIGN\DRAWINGS\09-024 DETAILS.DWG		JOB: 04-28-09-024