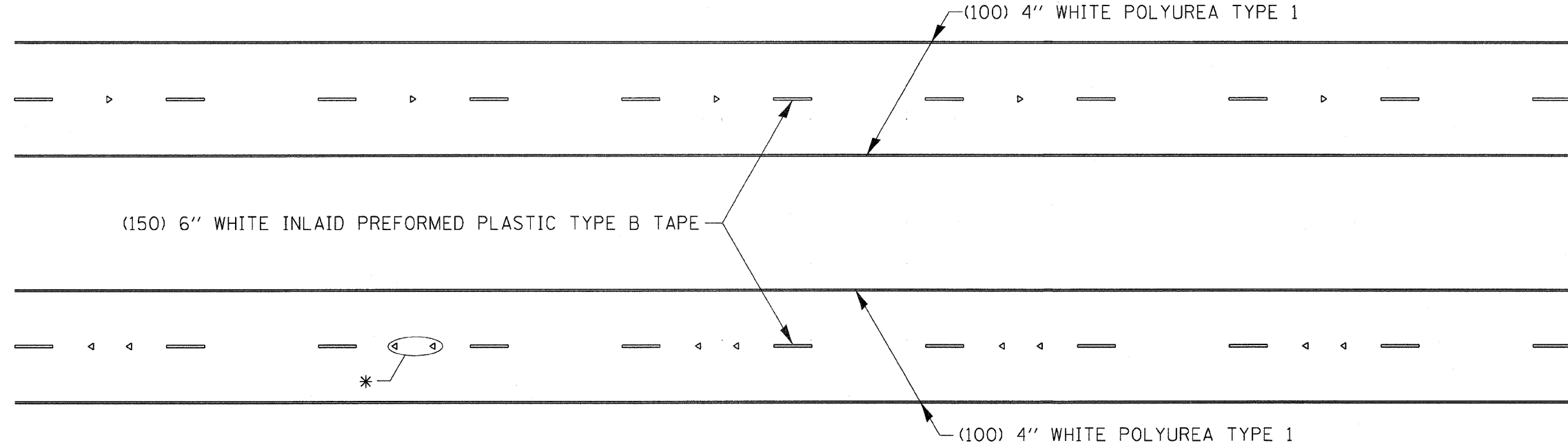
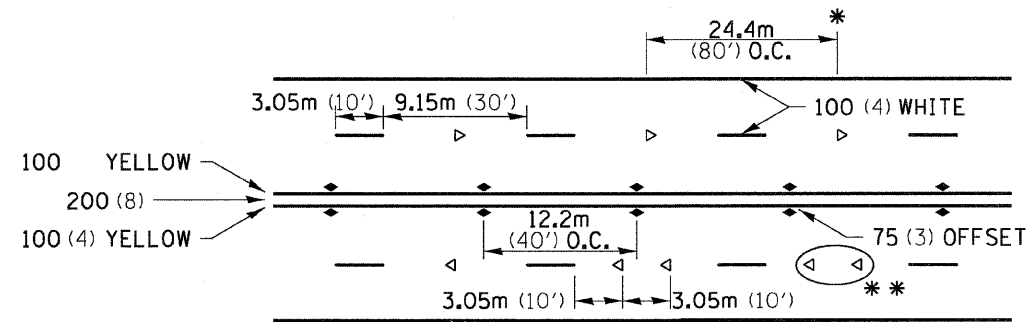


TYPICAL PAVEMENT MARKINGS



* SEE HIGHWAY STANDARD 781001 FOR SPACING DETAILS.
USE DOUBLE MARKERS WHEN ADT \geq 25,000.

MULTI-LANE / DIVIDED

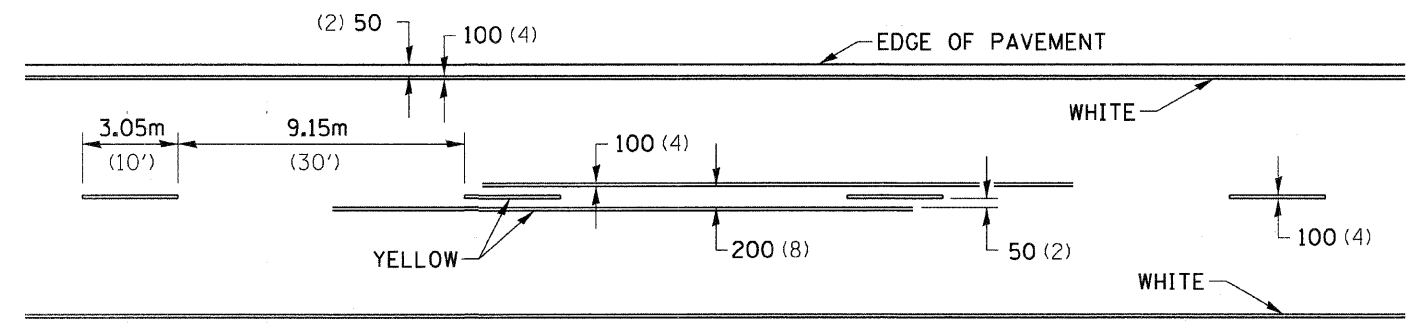


- REDUCE TO 12.2m (40') O.C. ON CURVES WHERE ADVISORY SPEEDS ARE 15km/H (10MPH) LOWER THAN POSTED SPEEDS.
- USE DOUBLE MARKERS WHEN ADT \geq 25,000

MULTI-LANE / UNDIVIDED

SYMBOLS

TYPICAL PAVEMENT MARKING FOR TWO LANE SECTION - NO PASSING ZONES



FILE NAME =	USER NAME = #USER#	DESIGNED -	REVISED - 10-21-08	STATE OF ILLINOIS DEPARTMENT OF TRANSPORTATION	REGION 2 / DISTRICT 2 STANDARD	F.A. RTE.	SECTION	COUNTY	TOTAL SHEETS	SHEET NO.		
C:\Documents and Settings\magl1\l\Desktop\ND2Standards.cel		DRAWN -	REVISED -			SCALE: _____	SHEET NO. ___ OF ___ SHEETS	STA. _____ TO STA. _____	CONTRACT NO. _____			
PLOT SCALE = 1:8000' / IN.		CHECKED -	REVISED -			FED. ROAD DIST. NO. _____ [ILLINOIS] FED. AID PROJECT						
PLOT DATE = Tue Oct 21 14:37:09 2008		DATE -	REVISED -									

TYPICAL PAVEMENT MARKINGS SHEET 3 OF 3 41.1

SHEET REVIEW	AGENCY	DATE	NO.	ITEM	DATE	SCALE: NA		IDOT DISTRICT 2 HIGHWAY STANDARDS-6 LONGWOOD STREET (SECTION 09-00568-00-RS) WHITMAN STREET INTERCHANGE ROCKFORD, ILLINOIS		SHEET NO. 19 OF 23
						DRAWN BY: KRL				
						CHECKED BY: PDS				
						DATE: 10/16/09				