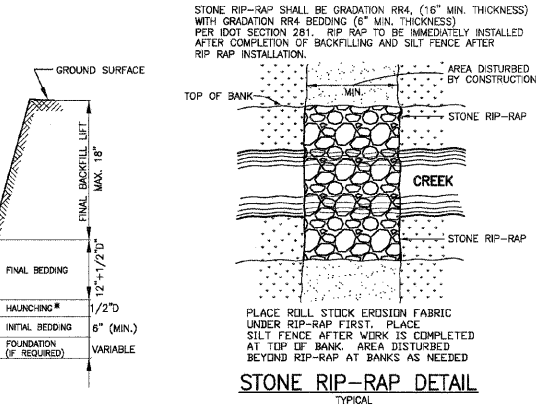
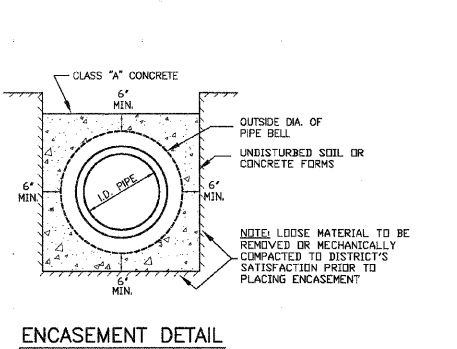


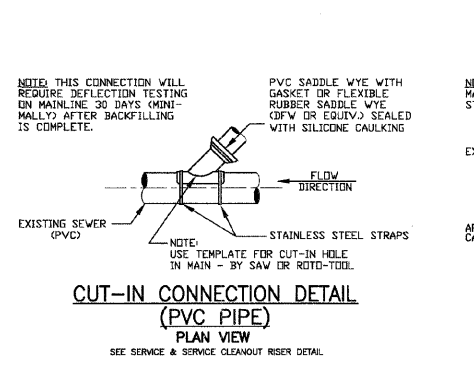
CLAY, RCP & DIP PIPE BEDDING DETAIL



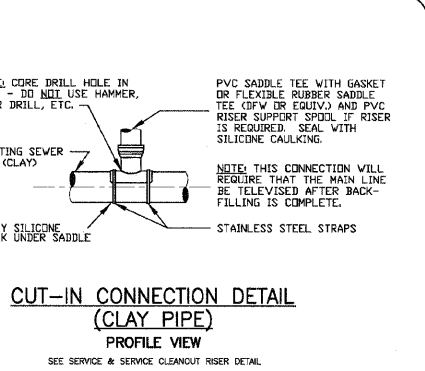
PVC PIPE BEDDING DETAIL



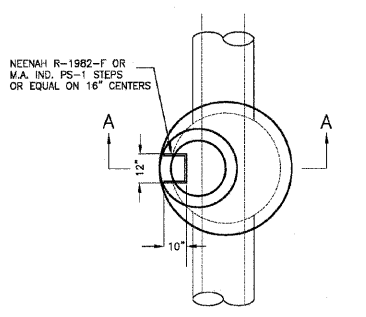
ENCASEMENT DETAIL



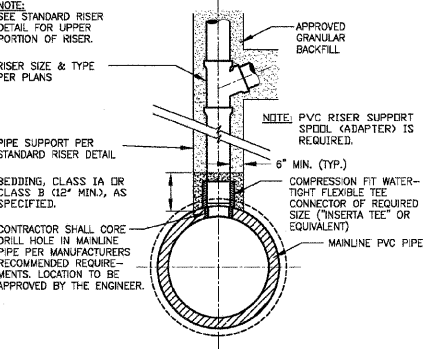
CUT-IN CONNECTION DETAIL (PVC PIPE)



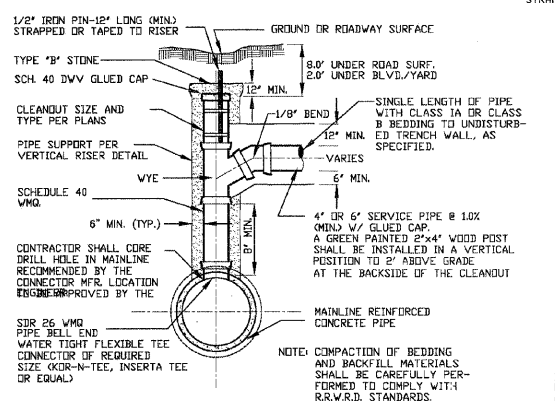
CUT-IN CONNECTION DETAIL (CLAY PIPE)



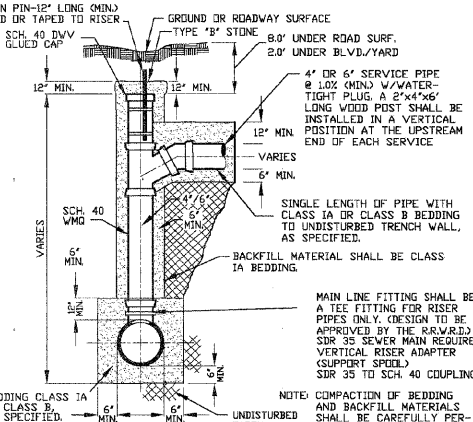
MANHOLE DETAIL - PLAN



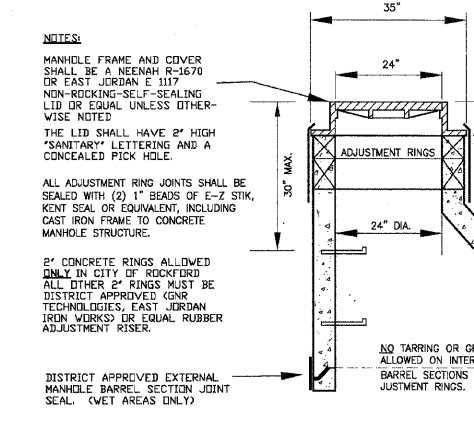
SERVICE CONNECTION FOR PVC TRUNK SEWER



SERVICE CONNECTION DETAIL FOR RCP



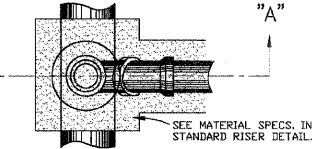
VERTICAL RISER DETAIL



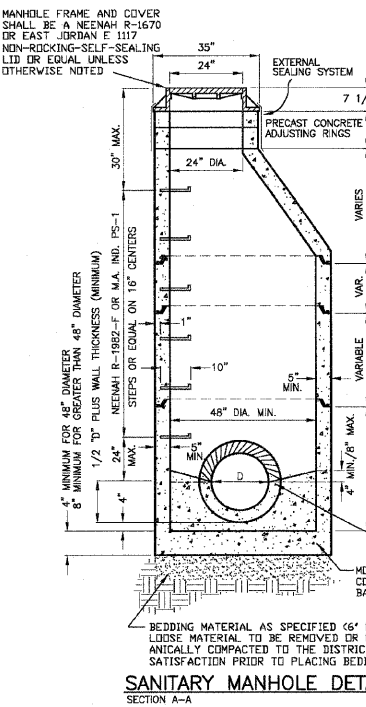
SANITARY MANHOLE ADJUSTMENT DETAIL

PIPE SIZE	MIN. DIAMETER	MIN. WALL THICKNESS
8"	4"	3/8"
12"	6"	1/2"
18"	12"	3/4"
24"	18"	1"

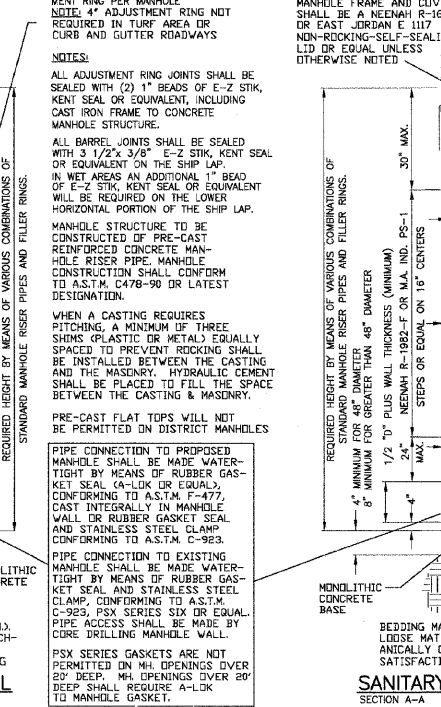
(OR AS DIRECTED BY THE DISTRICT)



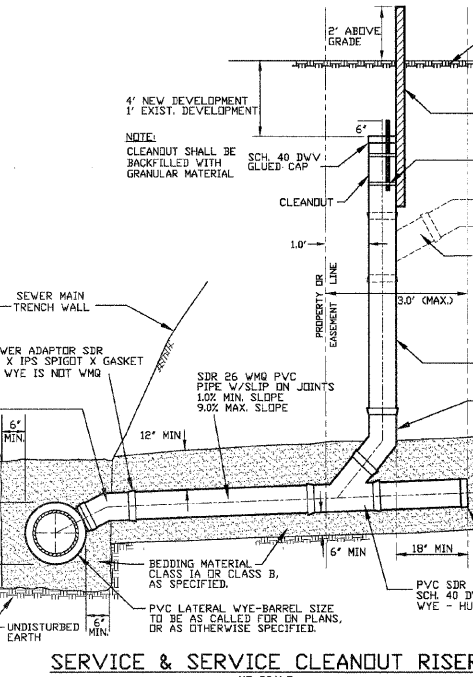
PLAN VIEW (RISER DETAIL)



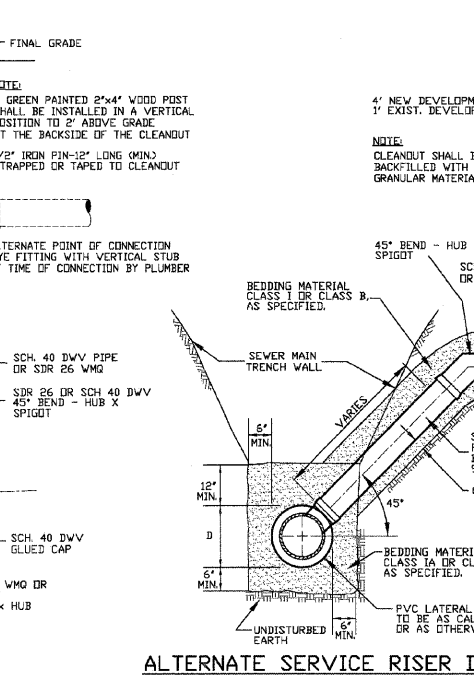
SANITARY MANHOLE DETAIL SECTION A-A



SANITARY DROP MANHOLE DETAIL SECTION A-A



SERVICE & SERVICE CLEANOUT RISER



ALTERNATE SERVICE RISER DETAIL (WITH SERVICE CLEANOUT)

ROCK RIVER WATER RECLAMATION DISTRICT
 3333 KISHWAUKEE ST., P.O. BOX 7480, ROCKFORD, ILLINOIS 61126-7480 - PH. (815) 387-7660/FAX (815) 387-7665

STANDARD DETAIL SHEET

FILE: RRWRD.DWG
SHEET OF

AGENCY	DATE

NO.	ITEM	DATE

SCALE:	NA
DRAWN BY:	KRL
CHECKED BY:	PDS
DATE:	10/16/09

McClure
Engineering Associates, Inc.
7282 Argus Drive
Rockford, Illinois 61107-5837
Design Firm License: Illinois 164-000816
Copyright 2009 By McClure Engineering Associates, Inc.

RRWRD DETAILS
LONGWOOD STREET (SECTION 09-00568-00-RS)
WHITMAN STREET INTERCHANGE

ROCKFORD, ILLINOIS
FILE: H:\09-024 WHITMAN INTERCHANGE\DESIGN\DRAWINGS\09-024 DETAILS.DWG
JOB: 04-28-09-024

SHEET NO. 23 OF 23