

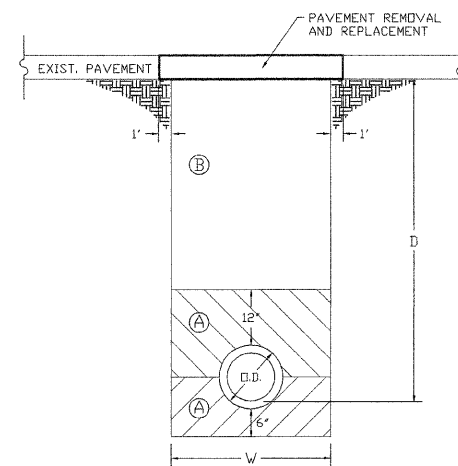
	A	B	C	D					
TOP SOIL									
GRANULAR SUB BASE									
FA-1 (sand)									
CA-13									
CA-7			X						
POLY (VINYL CHLORIDE) PIPE PVC									
CORRUGATED POLYETHYLENE TUBING (HEAVY DUTY) 4"				X					
TRENCH DEPTH					X				

NOTES:
 NO OPEN JOINT PIPE WILL BE ALLOWED FOR PIPE UNDERDRAINS USED UNDER OR ALONG THE EDGE OF PAVEMENT OR SHOULDERS.
 CONTRACTOR MAY SUBSTITUTE A STRONGER PIPE OF THE SAME KIND OF MATERIAL FOR THE PIPE DESIGNATED FOR THIS PROJECT. NO EXTRA COMPENSATION WILL BE ALLOWED.
 REFERENCE: II. D.O.T. STRD. SPECS. SEC. 601

PIPE UNDERDRAIN

CITY OF ROCK ISLAND
 ENGINEERING DIVISION
 STANDARD NO. 211

TRENCH DETAIL FOR ALL EXCAVATIONS UNDER OR WITHIN TWO FEET OF A PROPOSED OR EXISTING PAVEMENT



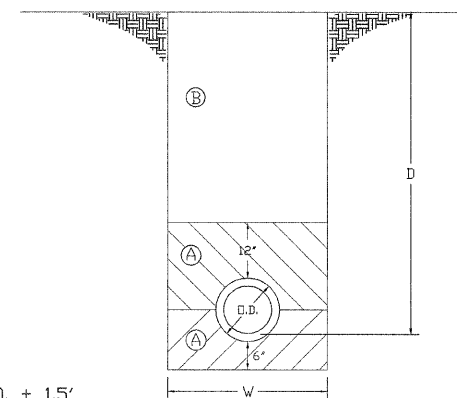
$D \leq 5'$, $W = O.D. + 1.5'$
 $D > 5'$, $W = O.D. + 3.0'$

AREA (A) CA-6 AGGREGATE COMPACTED IN 8" LIFTS, ACCORDING TO ART. 550.07
 AREA (B) TRENCH BACKFILL (PAY ITEM). COMPACTED BY METHOD 1, 2 OR 3 ART. 550.07.

BEDDING, BACKFILLING AND COMPACTING AREA A IS INCIDENTAL TO THE SEWER CONSTRUCTION.

STANDARDIZED	MDW	08/11/94
STANDARDIZED	CWE	06/28/91
REVISION	BY	DATE

TRENCH DETAIL FOR EXCAVATIONS OUTSIDE PAVED AREAS



$D < 5'$, $W = O.D. + 1.5'$
 $D > 5'$, $W = O.D. + 3.0'$

AREA (A) CA-6 AGGREGATE COMPACTED IN 8" LIFTS, ACCORDING TO ART. 550.07
 AREA (B) EXCAVATED MATERIAL COMPACTED BY METHOD 1, 2 OR 3 ART. 550.07.

BEDDING, BACKFILLING, AND COMPACTING AREAS A AND B IS INCIDENTAL TO THE SEWER CONSTRUCTION.

TRENCH DETAILS FOR STORM AND SANITARY SEWER INSTALLATION

CITY OF ROCK ISLAND
 ENGINEERING DIVISION
 STANDARD NO. 212

NOT TO SCALE

REVISION	MDW	08/9/01
REVISION	VLC	07/19/01
STANDARDIZED	PMCJ	09/30/94
REVISION	BY	DATE

85497
 09-00186-00-RS
 C.R.I. STANDARD DETAILS
 CITY OF ROCK ISLAND
 ENGINEERING DIVISION

30th Street Resurfacing
 31st Avenue to Blackhawk Road

Job Number	2592	Date	2-24-09
Computer Drawing Name	2592 Standard Details	By	mdw
		Sheet	38
		Of	43