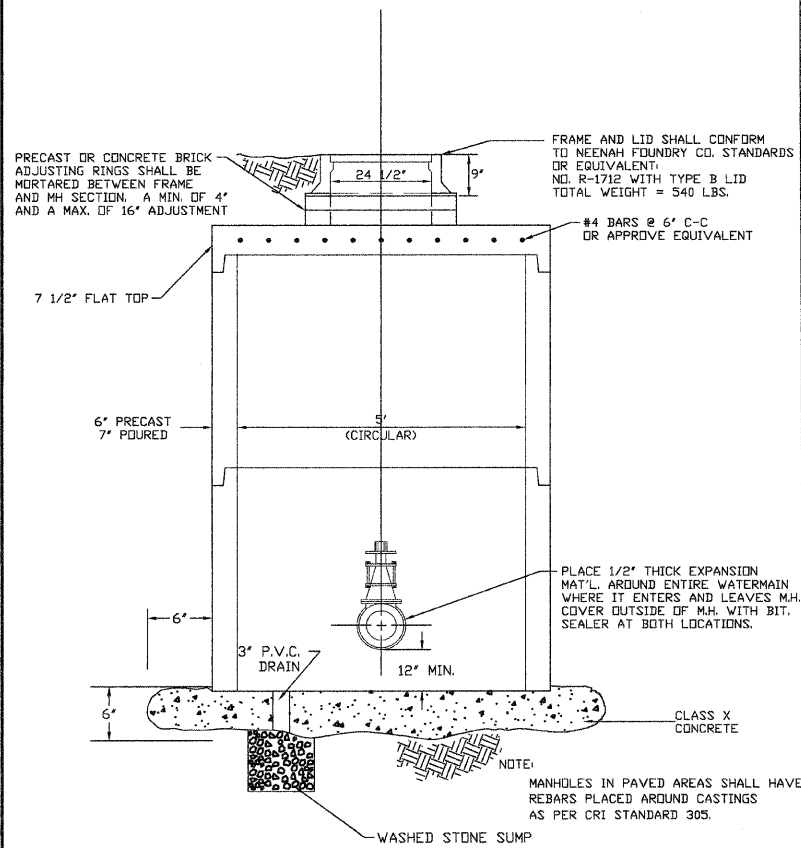
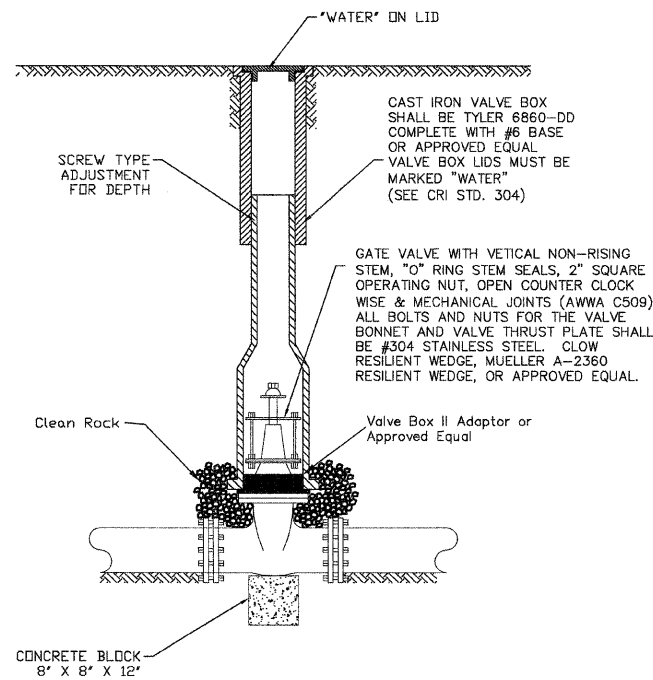


VALVE VAULT



REVISED	WLC	04/12/05
REVISED	CAM	04/03/02
REVISED	PJK	03/25/02
REVISED	TAB	03/14/00
STAND304.DWG	MDV	03/12/93

VALVE BOX

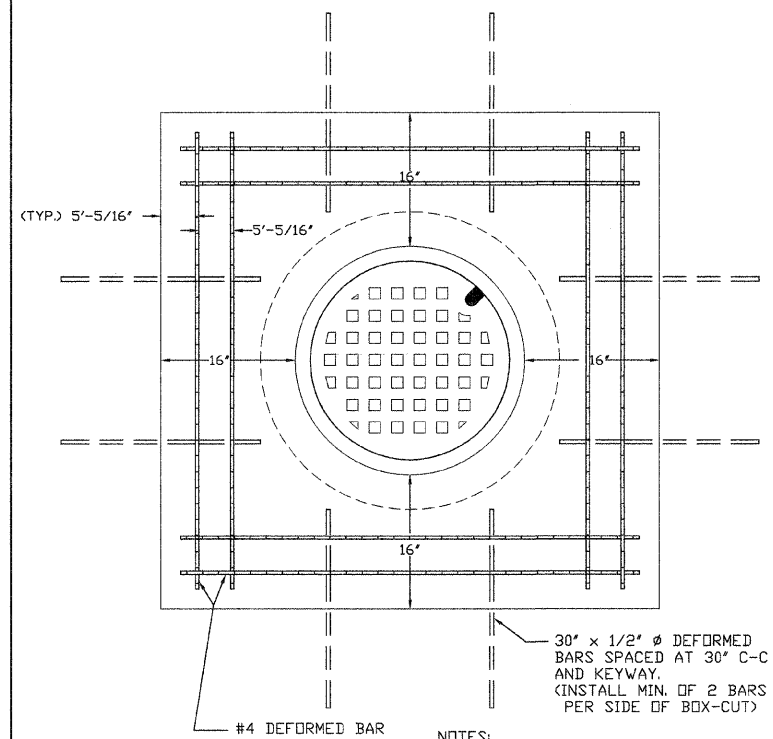


STANDARD VALVE VAULT & STANDARD VALVE BOX

CITY OF ROCK ISLAND ENGINEERING DIVISION STANDARD NO. 304

REVISED	TAB	03/14/2000
STAND305.DWG	CWE	06/24/91
REVISION	BY	DATE

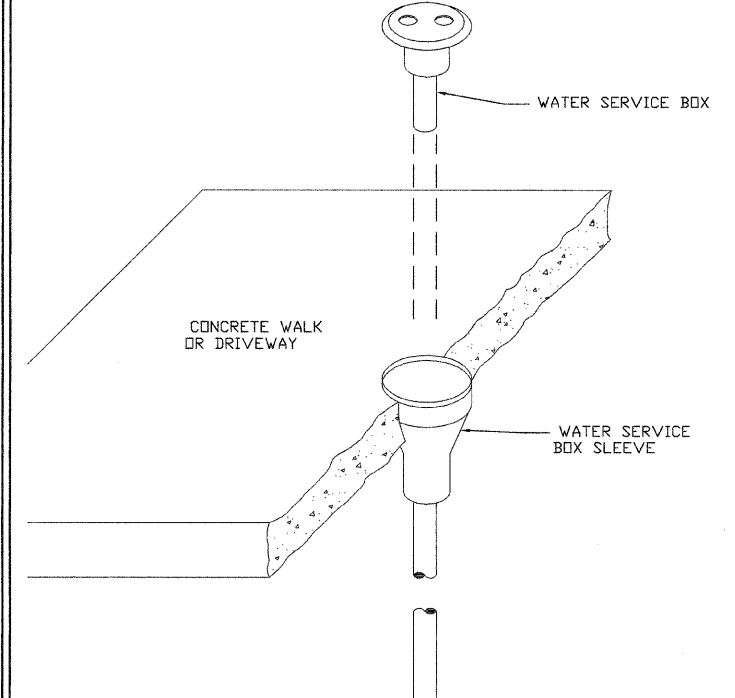
MANHOLE BOX-OUT



MANHOLE BOX-OUT & WATER SERVICE BOX SLEEVE

CITY OF ROCK ISLAND ENGINEERING DIVISION STANDARD NO. 305

SLEEVE - WATER SERVICE BOX



85A97  
09-00186-00-RS  
C.R.I. STANDARD DETAILS  
CITY OF ROCK ISLAND ENGINEERING DIVISION

30th Street Resurfacing  
31st Avenue to Blackhawk Road

Job Number	2592	Date	2-24-09
Computer Drawing Name	2592 Standard Details	By	mdw
		Sheet	41
		Of	43

