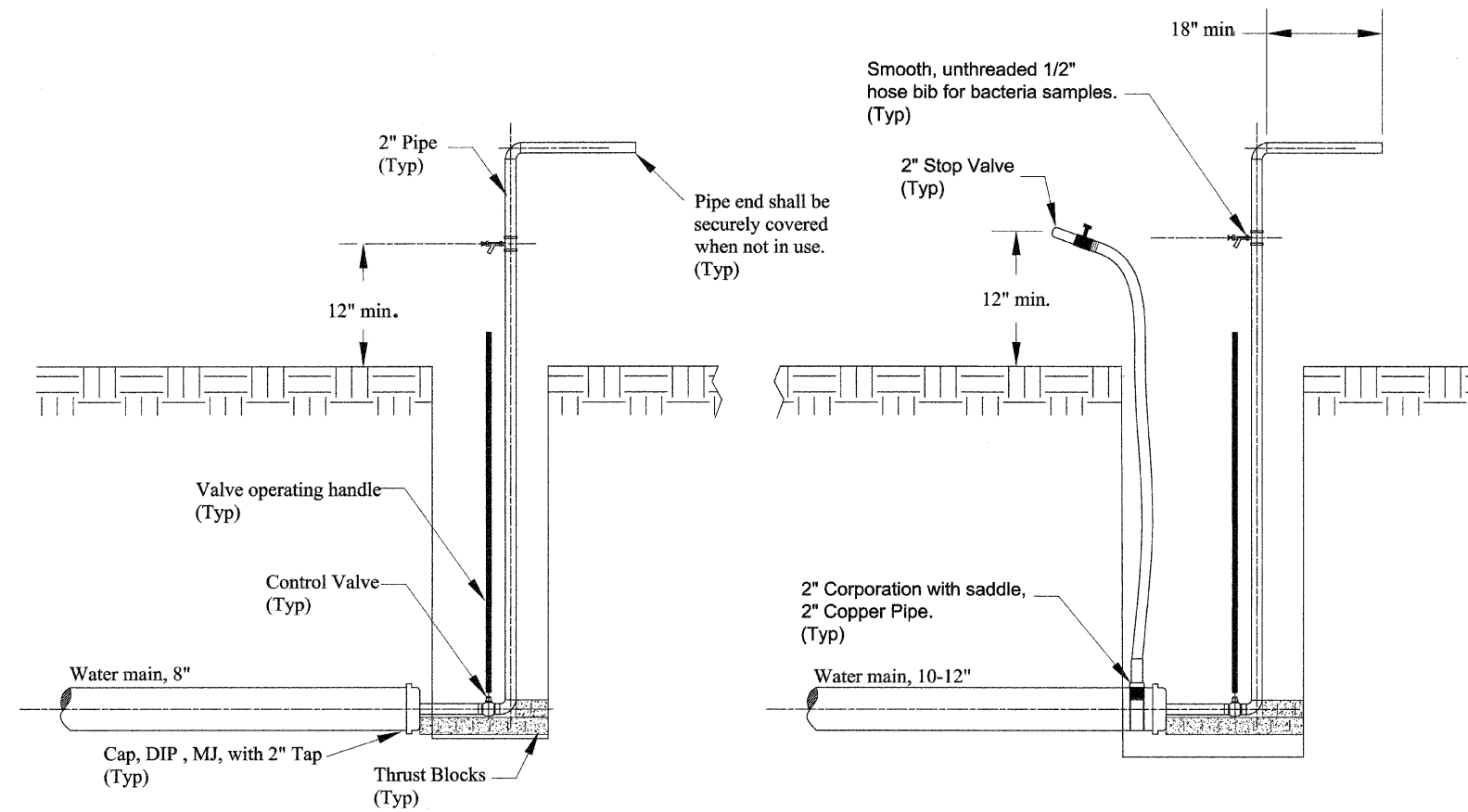


NOTE: Water mains 8" or less shall have a minimum of one 2" pipe at downstream end for adequate flow for flushing. Water mains that are greater than 8" shall have two 2" pipes to provide for adequate flow for flushing. All material and labor required to provide for adequate flushing of new water main shall be incidental to the cost of the water main. Excavation sites shall be backfilled during testing period.



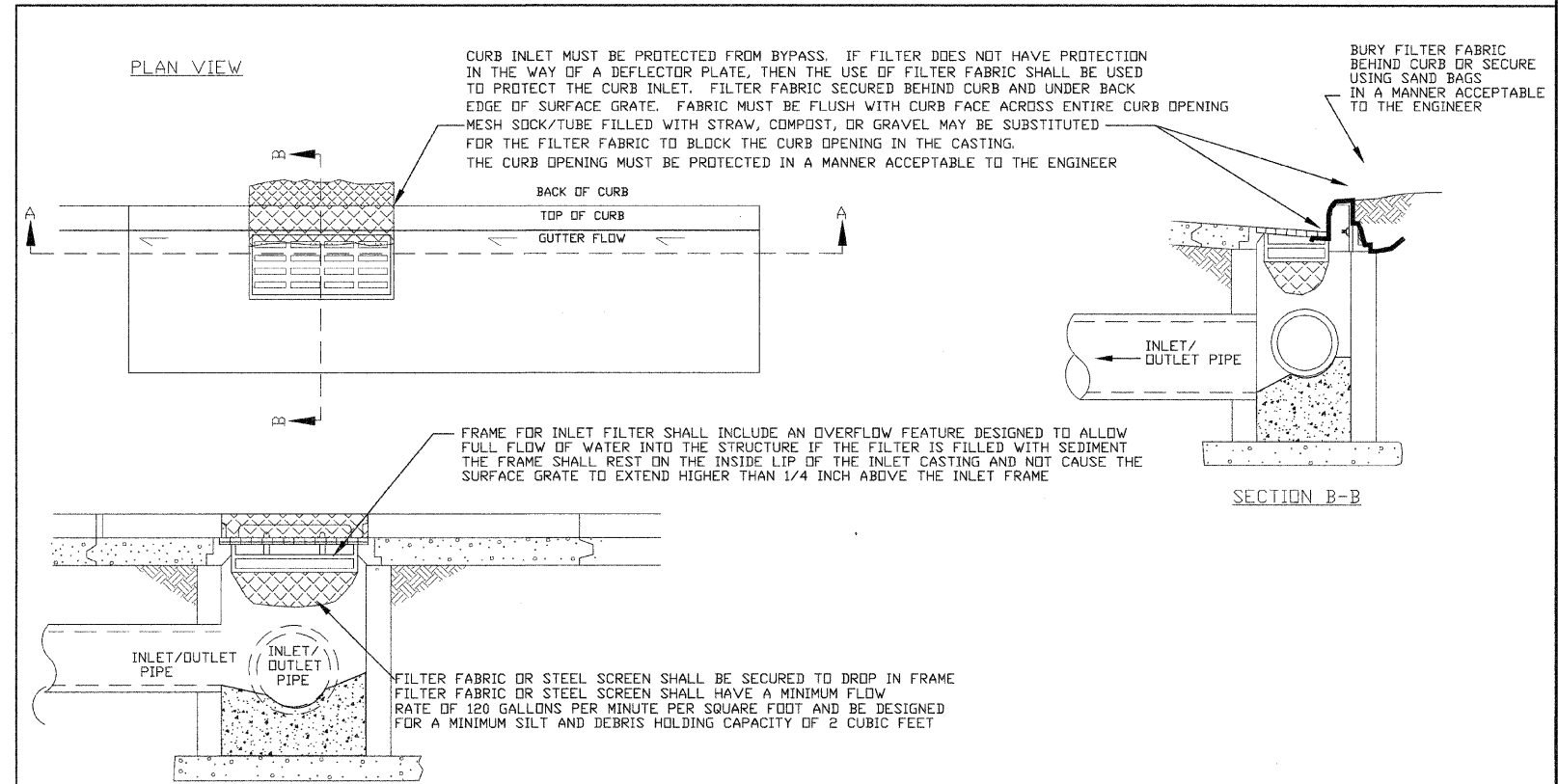
Watermain Blowoff and Sample Tap

NOT TO SCALE

STAND.309.DWG	WLC	02/03/06
REVISION	BY	DATE

S:\... \MISC\STANDARD\CRI\_STD\309.DWG

CITY OF ROCK ISLAND ENGINEERING DIVISION	STANDARD NO. 309
---	------------------



Inlet filter unit shall be as manufactured by **Inlet & Pipe Protection, Inc.**, at 1635 Tonne Road Elk Grove Village, IL (847)722-0690// [www.inletfilters.com](http://www.inletfilters.com), or that sold/rented by **Soil-Tek**, at P.O. Box 277 LeClaire, IA (563)528-5925// [www.soil-tek.com](http://www.soil-tek.com), or approved equal.

INLET FILTER FOR  
INLET AND PIPE PROTECTION

NEW	RAH	3/29/07	NOT TO SCALE
REVISION	BY	DATE	

CITY OF ROCK ISLAND ENGINEERING DIVISION	STANDARD NO. 402
---	------------------

85497  
09-00186-00-RS  
C.R.I. STANDARD DETAILS  
**CITY OF ROCK ISLAND  
ENGINEERING DIVISION**

30th Street Resurfacing  
31st Avenue to Blackhawk Road

Job Number	2592	Date	2-24-09
Computer Drawing Name	2592 Standard Details	By	mdw
		Sheet	43
		Of	43