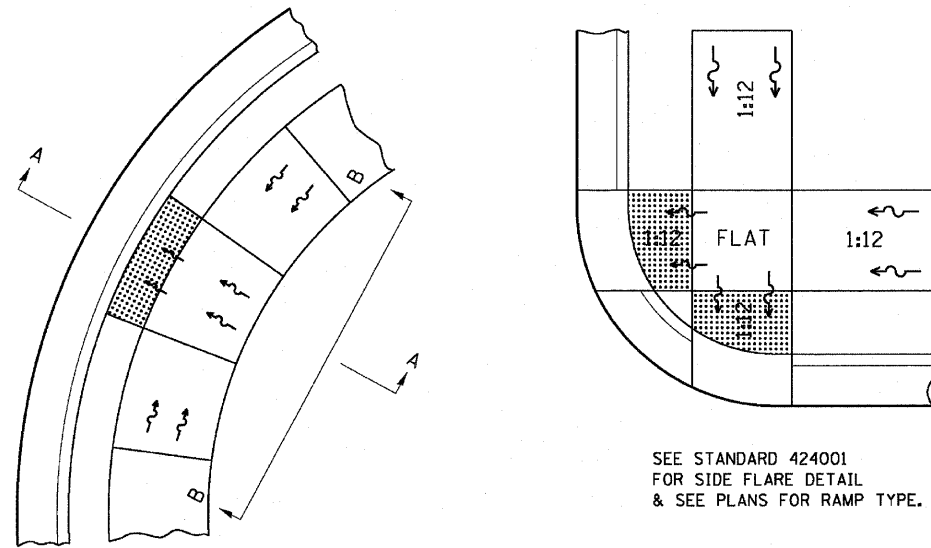
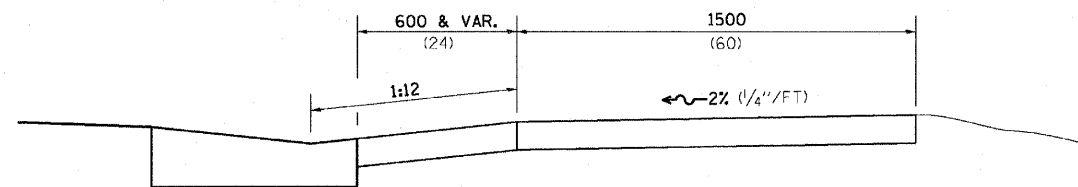


DISABLED RAMP DETAIL

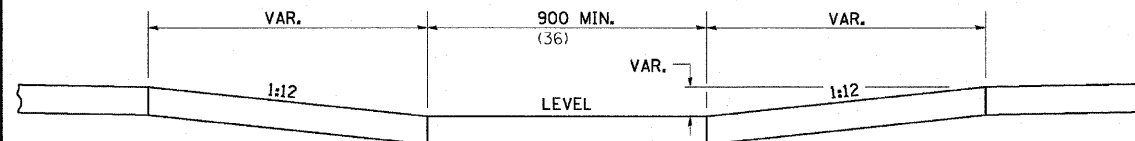


SEE STANDARD 424001 FOR SIDE FLARE DETAIL & SEE PLANS FOR RAMP TYPE.

ALL DIMENSIONS ARE IN MILLIMETERS (INCHES) UNLESS OTHERWISE NOTED.



SECTION A-A

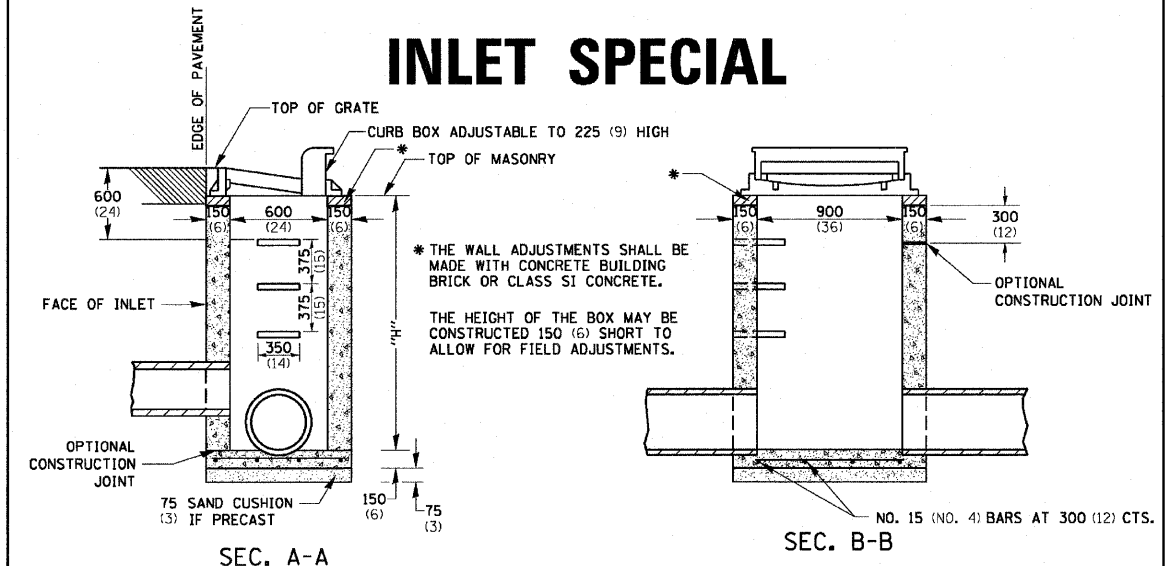


SECTION B-B

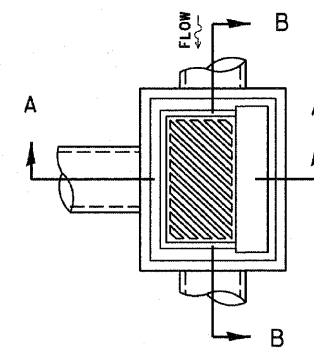
NOTES : THIS DETAIL TO BE USED IN CONJUNCTION WITH STATE STANDARD 424001. THE MAXIMUM ALLOWABLE CROSS SLOPE FOR SIDEWALK IS 2% (1/4\"/>

REVISED - 9-19-05	REGION 2 / DISTRICT 2 STANDARD	F.A. RTE.	SECTION	COUNTY	TOTAL SHEETS	SHEET NO.
REVISED -						
REVISED -						
REVISED -						
SCALE: 1:8000		SHEET NO.	OF SHEETS	STA. TO STA.	CONTRACT NO.	
PLOT DATE = August 23 2007		FED. ROAD DIST. NO.		ILLINOIS	FED. AID PROJECT	

INLET SPECIAL



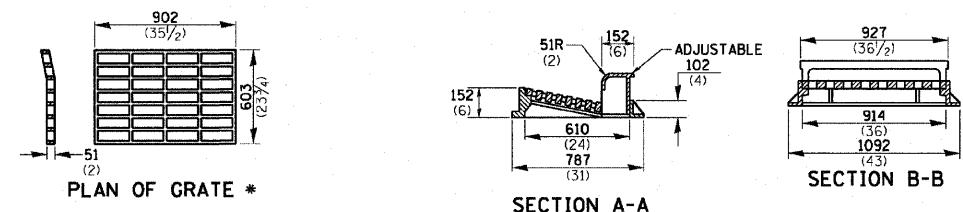
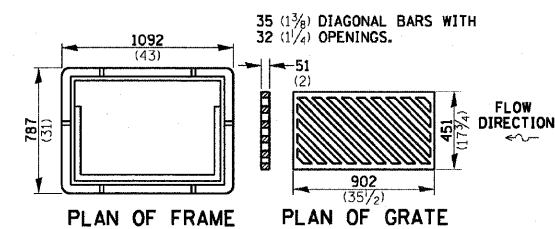
* THE WALL ADJUSTMENTS SHALL BE MADE WITH CONCRETE BUILDING BRICK OR CLASS SI CONCRETE. THE HEIGHT OF THE BOX MAY BE CONSTRUCTED 150 (6) SHORT TO ALLOW FOR FIELD ADJUSTMENTS.



DETAIL OF FRAME & GRATE

NOTES CLASS SI CONCRETE OR PRECAST CONCRETE SHALL BE USED THROUGHOUT. PRECAST CONCRETE SHALL BE IN ACCORDANCE WITH SECTION 504.01 THRU 504.05 OF THE STANDARD SPECIFICATIONS EXCEPT THAT CONCRETE STRENGTH SHALL BE 27.5 MPa (4,000 psi) AFTER 28 DAYS. THE CONTRACT UNIT PRICE EACH FOR INLET SPECIAL SHALL INCLUDE THE COST OF CONSTRUCTING THE INLET BOX, FURNISHING AND INSTALLING THE FRAME AND GRATE, THE CAST IRON STEPS (IF USED), THE PRECAST FLOOR SLABS, SAND CUSHION (WHEN USED) AND REINFORCEMENT BARS.

NOTES SEE STANDARD 602701 FOR DETAILS OF STEPS. EXCEPT AS NOTED HEREON INLET SPECIAL SHALL BE CONSTRUCTED IN ACCORDANCE WITH SECTION 602 OF THE STANDARD SPECIFICATIONS. THE SIDE WALLS MAY BE BUILT AS PRECAST SEGMENTED SECTIONS. ALL VOIDS AROUND PIPE ENTRANCE, BOTH INSIDE AND OUTSIDE, SHALL BE SEALED WITH MORTAR. WEIGHT OF CAST IRON FRAME & GRATE = 240 kg (530 lbs.) ±. STEPS SHALL BE OMITTED WHEN DEPTH OF "H" IS LESS THAN 1.5 m (5 ft).



* THIS GRATE TO BE USED WITHOUT CURB BOX WHEN INLET IS IN DRIVEWAY.

ALL DIMENSIONS ARE IN MILLIMETERS (INCHES) UNLESS OTHERWISE NOTED.

REVISED - 11-10-94	REGION 2 / DISTRICT 2 STANDARD	F.A. RTE.	SECTION	COUNTY	TOTAL SHEETS	SHEET NO.
REVISED -						
REVISED -						
REVISED -						
SCALE: 1:8000		SHEET NO.	OF SHEETS	STA. TO STA.	CONTRACT NO.	
PLOT DATE = August 23 2007		FED. ROAD DIST. NO.		ILLINOIS	FED. AID PROJECT	