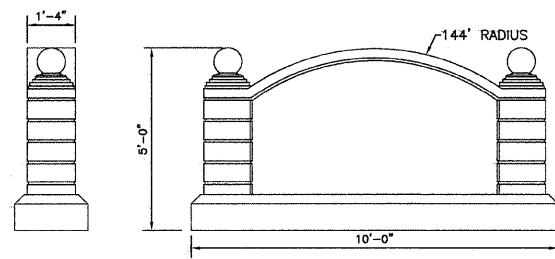


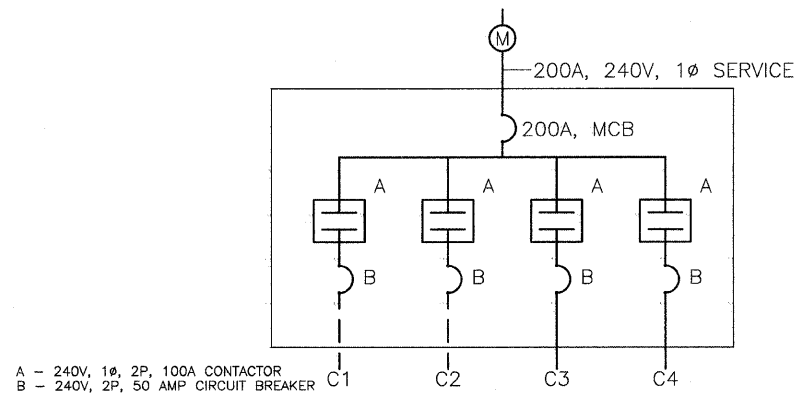
**GENERAL NOTES**

- 1 THE CONTRACTOR SHALL VERIFY THE EXACT LOCATION OF ALL UNDERGROUND UTILITIES PRIOR TO BEGINNING CONSTRUCTION (J.U.L.I.E. 800/892-0123).
- 2 ALL CONDUIT IN TRENCH SHALL BE P.V.C. CONDUIT ATTACHED TO STRUCTURES SHALL BE GALVANIZED STEEL.
- 3 A 1/4" DIAMETER CONTINUOUS NYLON ROPE SHALL BE FURNISHED AND LEFT IN PLACE IN ALL CONDUITS BETWEEN HANDHOLES AND FOUNDATIONS AS INCIDENTAL TO THE RESPECTIVE CONDUIT PAY ITEM.
- 4 NO ADDITIONAL COMPENSATION WILL BE ALLOWED FOR PLACING CONDUIT AT GREATER THAN 2 FEET MINIMUM DEPTH TO AVOID OBSTACLES SUCH AS UNDERGROUND UTILITIES.
- 5 THE CONTRACTOR IS RESPONSIBLE FOR THE COST OF UNCOVERING OR HAND DIGGING AROUND UTILITIES, AS NECESSARY, INCIDENTAL TO THE CONDUIT PAY ITEM.
- 6 ALL PUSHED CONDUIT SHALL HAVE A MINIMUM COVER OF 2'-6".
- 7 EXISTING LIGHTING UNITS SHALL REMAIN FULLY OPERATIONAL DURING AND AFTER CONSTRUCTION. ANY DAMAGE SUSTAINED TO THE EXISTING LIGHTING SYSTEM, INCLUDING LIGHT POLES, LUMINAIRES, CONTROLLERS, CONDUIT, AND ELECTRICAL CABLE, SHALL BE REPAIRED IN KIND AT THE SOLE EXPENSE OF THE CONTRACTOR.

QUANTITIES		CONST. CODE Y030-1E	UNIT
67100100	MOBILIZATION	1	L.SUM
81012600	CONDUIT IN TRENCH, 2" DIA., PVC	16	FOOT
81020500	CONDUIT PUSHED, 2" DIA., INTERMEDIATE METAL	56	FOOT
81306200	DRILL EXISTING JUNCTION BOX	1	EACH
81702120	ELECTRIC CABLE IN CONDUIT, 600V (XLP-TYPE USE) 1/C NO. 8	72	FOOT
81702140	ELECTRIC CABLE IN CONDUIT, 600V (XLP-TYPE USE) 1/C NO. 4	144	FOOT
81900200	TRENCH AND BACKFILL FOR ELECTRICAL WORK	16	FOOT
83600120	LIGHT POLE FOUNDATION (SPECIAL)	10	FOOT
X8950130	MODIFY EXISTING LIGHTING CONTROLLER	4	EACH
XX001164	LUMINAIRE, HIGH PRESSURE SODIUM, SPECIAL	20	EACH
XX004622	REMOVAL OF LUMINAIRE, SALVAGE	20	EACH
XX005642	GATEWAY MONUMENT SIGN, COMPLETE	1	EACH
XX007393	DECORATIVE LIGHT TYPE A	11	EACH
XX007394	DECORATIVE LIGHT TYPE B	46	EACH
XX007396	DECORATIVE LIGHT TYPE C	1	EACH



**GATEWAY MONUMENT SIGN**



A - 240V, 1 $\phi$ , 2P, 100A CONTACTOR  
 B - 240V, 2P, 50 AMP CIRCUIT BREAKER

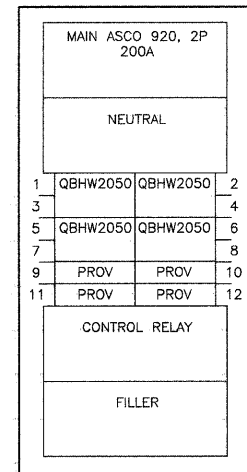
LIGHTING CONTROL PANEL NO. 1  
 CIRCUIT NO. 1 : LIGHTS 1-5  
 CIRCUIT NO. 2 : LIGHTS 6-11  
 CIRCUIT NO. 3 : LIGHTS 39-42  
 CIRCUIT NO. 4 : LIGHTS 43-48

LIGHTING CONTROL PANEL NO. 2  
 CIRCUIT NO. 1 : LIGHTS 12-16  
 CIRCUIT NO. 2 : LIGHTS 17-21  
 CIRCUIT NO. 3 : LIGHTS 49-53  
 CIRCUIT NO. 4 : LIGHTS 54-58

LIGHTING CONTROL PANEL NO. 3  
 CIRCUIT NO. 1 : LIGHTS 22-26  
 CIRCUIT NO. 2 : LIGHTS 27-33  
 CIRCUIT NO. 3 : LIGHTS 59-64  
 CIRCUIT NO. 4 : LIGHTS 65-70

LIGHTING CONTROL PANEL NO. 4  
 CIRCUIT NO. 1 : LIGHTS 34-38  
 CIRCUIT NO. 2 : LIGHTS 71-76

**CONTROL PANEL SCHEMATIC**



**EXISTING LIGHTING CONTROL PANEL**

**EXISTING LIGHTING APPURTENANCES ELECTRICAL NOTES**

Service Voltage: 120/240V 1Ph 3W Enclosure: NEMA 4  
 Bus Rating & Type: 250A Copper  
 Ground Bar: Std. Bolted Copper, Cu cable only  
 S.C. Rating: 22k A.I.C. Fully Rated

Main Device Type: Main ASCO, Top Cable Entry - UL Rated  
 Main Terminals: Mechanical - (1) #6-350 kcmil (Cu/Al)  
 Neutral Terminals: Mechanical - (1) #6-350 kcmil (Cu/Al)  
 Box Catalog No.: N42472  
 Trim: Complete Enclosure (Included) Surface Mounted

Box Dimensions: 72" H x 24" W x 6" D  
 Min. Gutter Size: Top = 5.5" Bottom = 5.5"  
 Left = 4" Right = 4"

Panel ID Nameplate: (1) s-2  
 Type: Plastic, adhesive-backed (2)  
 Color: Black with White Letters (3)

Additional Panel Features and Modifications:

Copper Neutral  
 Trim Lock: Padlockable Hasps  
 Circuit Directory: Plastic Sleeve with Card  
 ASCO Control Relay: 2-Wire Control Relay  
 ASCO Control Relay Control Power: Internal 120Vac

Meter Base: 200 AMP - 4 Terminal - Meter Main Pedestal - 1Ph  
 Milbank Cat. No.: U8980-0-KK-LP, Horn Type Bypass  
 4/0 AWG Line Conn. (CU/AL), Low Profile W/ 2 Pole Plug in  
 Circuit Breakers - Cat. No. WB/ 2200

Electronic Time Switches: Intermatic Model No. ET70115CR

Electrical Conductors: 2 - #4 AWG - THWN  
 2 - #8 AWG - THWN

Breakaway In-Line Fuse Kits: Dual In-Line Phased Fuse Breakaway D65  
 Dual In-Line Phased Neutral Fused Breakaway D65 PN

Street Lighting Kit: Innovative Power Products SLK Series Cat. No. SLK02

Electrical Conduit: PVC - Schedule 40 - 1"

Electrical Junction Boxes:

W/Light Standard Concrete Bases - Hoffman A-12R126 NEMA 3R Enclosure  
 W/O Light Standard Bases - Hoffman Box - PC1212BA12, Cover - PC12120A17

DRAWN BY: RGP/JMT	6978-00 CAD/.DWG: DETAILS	REVISIONS	CHAMLIN ASSOCIATES	PERU MORRIS ILLINOIS	VILLAGE OF DIAMOND DIVISION STREET LIGHTING IMPROVEMENTS - 2010	SUMMARY OF QUANTITIES AND DETAILS	SCALE: AS NOTED	SHEET 2
CHECKED BY: MWP/DJD	DATE: 09-24-09	DATE BY					FILE NO.: 6978-00	OF 12