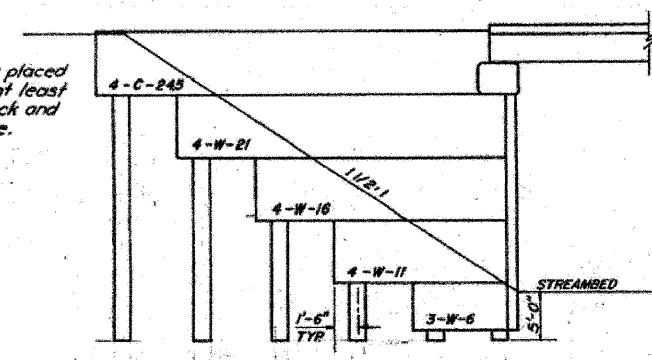
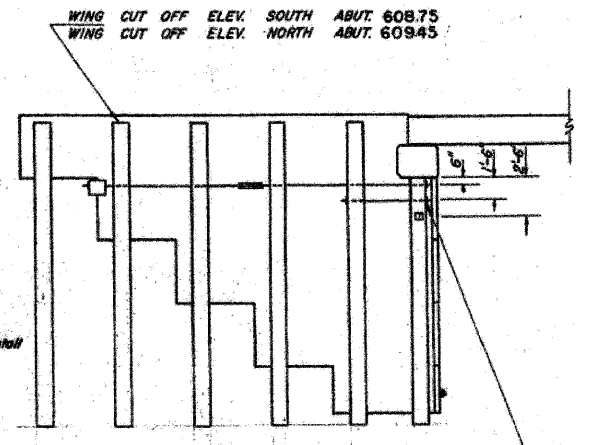


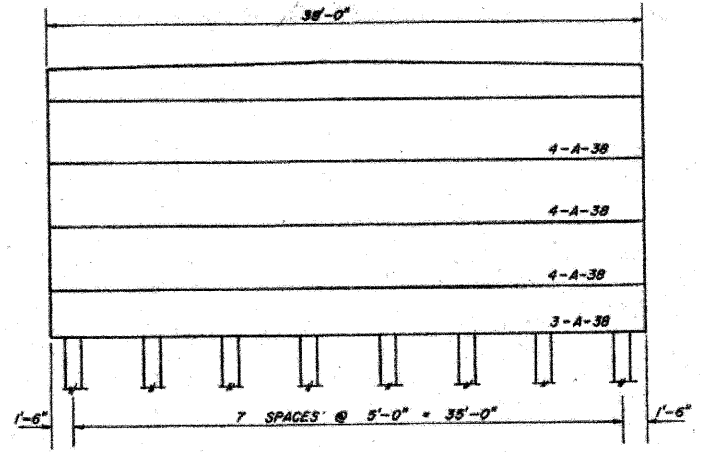
NOTE: All steel piles to be placed in precored holes at least 5'-0" into sound rock and filled with concrete.



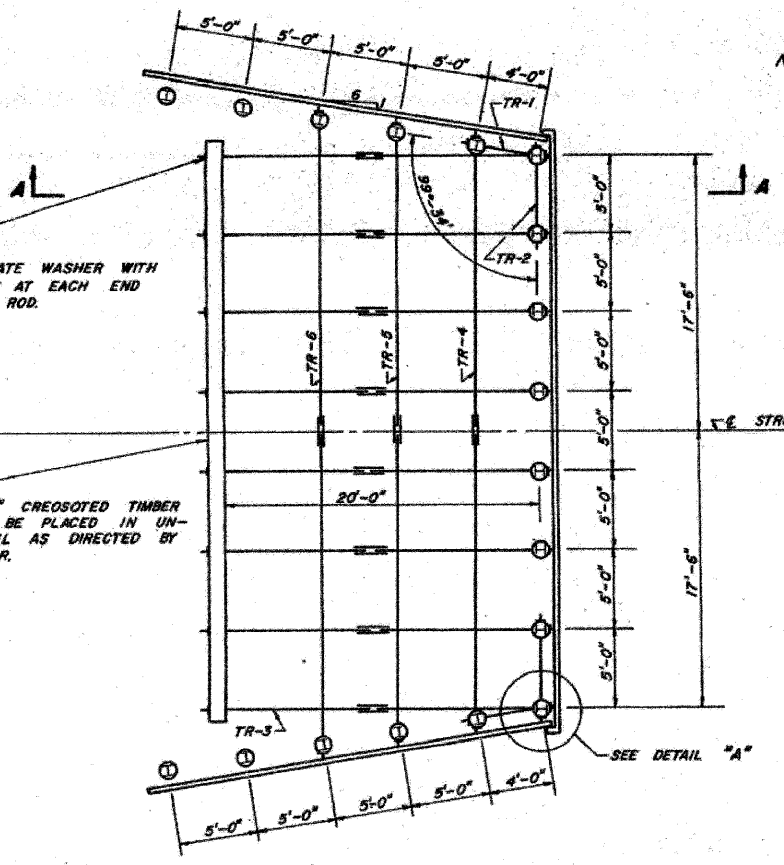
**WING ELEVATION**



**SECTION A-A**



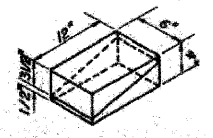
**ABUTMENT ELEVATION**



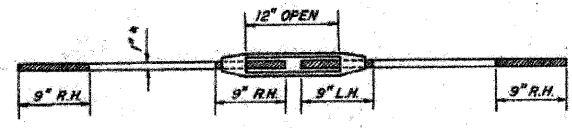
**PLAN**

NOTE: SEE SHEET NO. 41 FOR PLANK HANGING DETAIL.

Note: Planks 4-W-11 & 3-W-6 may be omitted if sound rock is encountered in the field.



**TIMBER WEDGES**

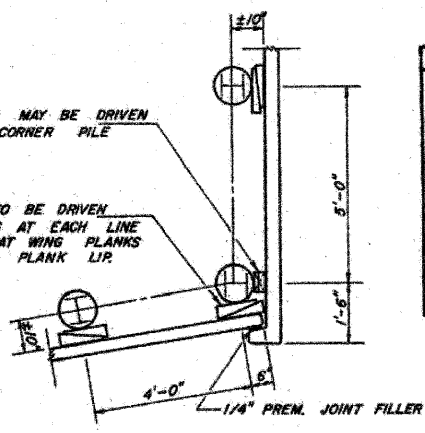


TR-1	6'-0"
TR-2	7'-0"
TR-3	11'-3"
TR-4	19'-3"
TR-5	20'-3"
TR-6	21'-3"

**TIE RODS**

TIMBER WEDGES MAY BE DRIVEN VERTICAL ON CORNER PILE

TIMBER WEDGES TO BE DRIVEN HORIZ. AND SNUG AT EACH LINE OF CONN. SO THAT WING PLANKS BEAR FIRMLY ON PLANK L/R.



**DETAIL "A"**

**HARDWARE**

NO.	ITEM	LENGTH
4	TIE RODS 1" TR-1	6'-0"
4	TIE RODS 1" TR-2	7'-0"
16	TIE RODS 1" TR-3	22'-6"
2	TIE RODS 1" TR-4	38'-6"
2	TIE RODS 1" TR-5	40'-6"
2	TIE RODS 1" TR-6	42'-6"
22	TURNBUCKLES 1"	
60	6"X6"X1/4" PLATE WASHERS	
60	HEAVY HEX NUTS	
<b>TOTAL POUNDS</b>		<b>2068</b>

INCLUDES 3/2% FOR GALVANIZING

**TREATED TIMBER**

NO.	ITEM	SIZE	LENGTH
2	DEADMEN	12"X12"	3'-0"
248	WEDGES (PAIR)	4"X6"	1'-0"
<b>TOTAL F.B.M.</b>			<b>1408</b>

**ABUTMENT DETAIL  
EGG BAG CREEK  
SECTION 138-G  
LASALLE COUNTY  
STATION 44+70.00**

**EXISTING STRUCTURE PLANS**

SHEET NO. 2 5 SHEETS	ROUTE NO. CH 29	SECTION 10-00649-00-BR	COUNTY LASALLE	TOTAL SHEETS 43	SHEET NO. 30
	S.N. 050-3593		CONTRACT NO. 87430		
FED. ROAD DIST. NO. 7 ILLINOIS			FED. AID PROJECT BRS-0099(043)		