

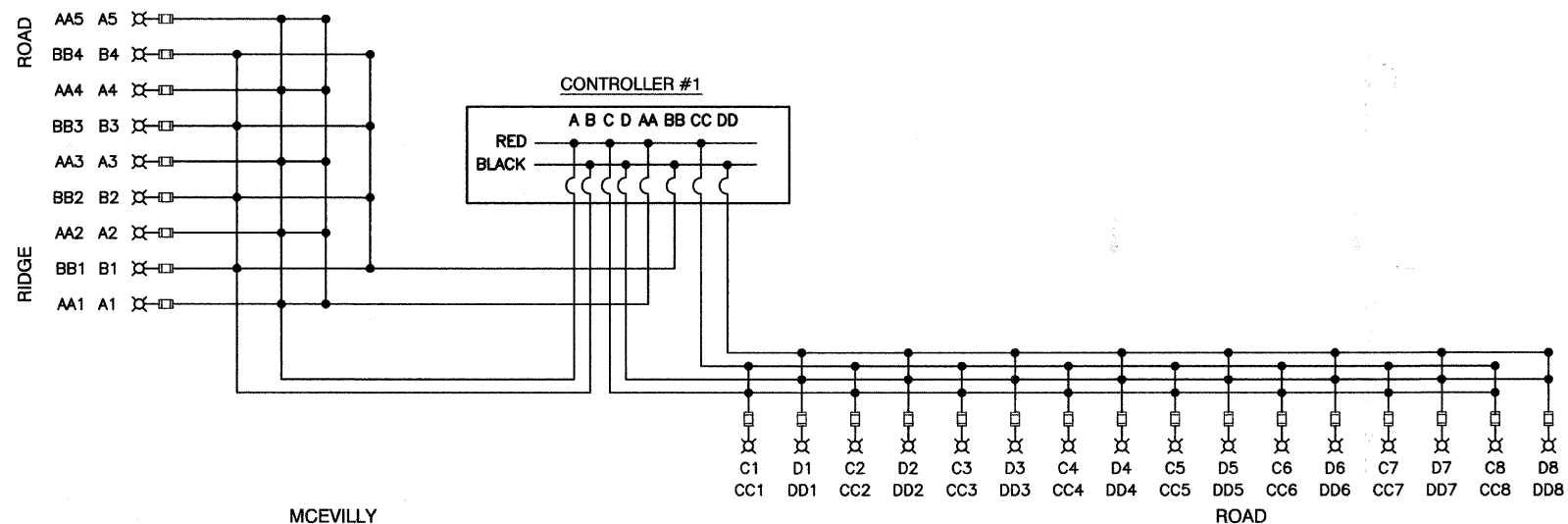


PLAN	DESIGNED	DATE
	BY	
NOTE BOOK NO.	CHECKED	
	PLOTTED	
NO.	GRADES CHECKED	
	FILE NAME	

PROFILE	DESIGNED	DATE
	BY	
NOTE BOOK NO.	CHECKED	
	PLOTTED	
FILE NAME	GRADES CHECKED	
	FILE NAME	

PROPOSED CONTROLLER #1
240/480V, 1Ø, 1 PHASE, 3 WIRE,
60HZ, 16.81 KVA LOAD

CIRCUIT	WATTS	AMPS @ 240V	
		RED PHASE	BLACK PHASE
A	1,525	6.50	
B	1,220		5.20
C	2,440	10.40	
D	2,440		10.40
AA	1,500	6.25	
BB	1,200		5.00
CC	2,400	10	
DD	2,400		10.00
SUBTOTAL	7,625	33.15	30.60
TOTAL AMPS @ 240 V		63.75	



LEGEND

- ⊗ LUMINAIRE, 250W HPS, 240V
- FUSE, 3.5 AMP FOR LUMINAIRE
FUSE, 6.0 AMP FOR FESTOON
- A1 LUMINAIRE CIRCUIT, 240V
- AA1 FESTOON CIRCUIT, 120V
- { CIRCUIT BREAKER
- CONNECTION



FILE NAME = 08330-07LS-01 - P01	USER NAME =	DESIGNED -- DWS	REVISIONS	STATE OF ILLINOIS DEPARTMENT OF TRANSPORTATION	RIDGE ROAD & MCEVILLY ROAD STREET LIGHTING SINGLE LINE WIRING DIAGRAM		F.A.U. RTE. 0393	SECTION 09-00054-00-LT	COUNTY GRUNDY	TOTAL SHEETS 11	SHEET NO. 6	
	PLOT SCALE = N/A	CHECKED -- PAP	REVISIONS		SCALE: N/A	SHEET NO. 6 OF 11 SHEETS	STA. N/A TO STA. N/A	CONTRACT NO. 87438				
	PLOT DATE = 10-21-09	DRAWN -- MJD	REVISIONS		FED. ROAD DIST. NO. 3 ILLINOIS FED. AID PROJECT ARA-003 (341)							
		CHECKED -- PAP	REVISIONS									