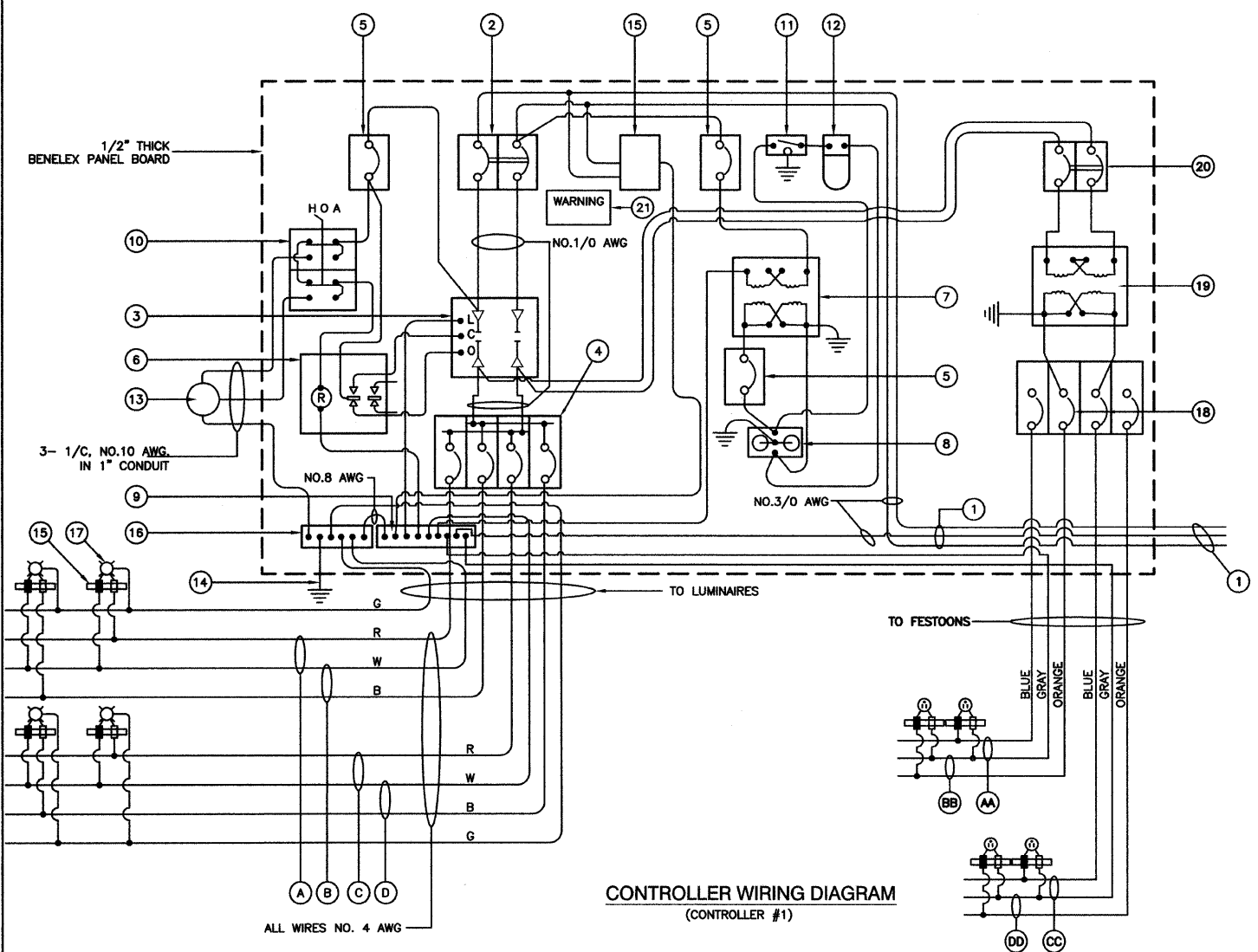
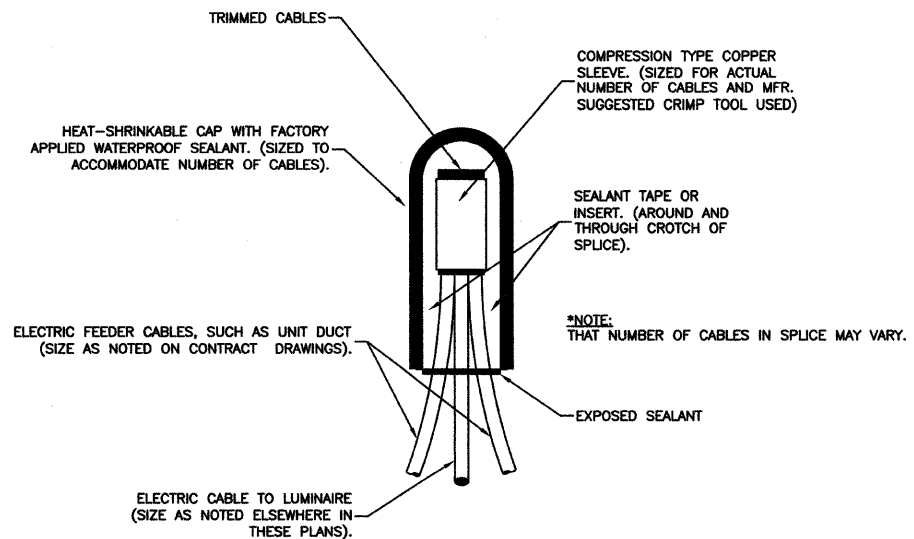


| | |
|-----------|--|
| DATE | |
| BY | |
| REVISIONS | |
| PLANNED | |
| ALIGNED | |
| CHECKED | |
| NO. _____ | |
| FILE NAME | |
| PLAN | |
| NOTE BOOK | |

| | |
|-----------|--|
| DATE | |
| BY | |
| REVISIONS | |
| PLANNED | |
| ALIGNED | |
| CHECKED | |
| NO. _____ | |
| FILE NAME | |
| PROFILE | |
| NOTE BOOK | |



CONTROLLER WIRING DIAGRAM
(CONTROLLER #1)



SPlicing ELECTRIC Cables
BASIC MATERIALS AND METHODS

CONTROLLER BILL OF MATERIALS

- ① 3-1/2" DIA. GALVANIZED STEEL CONDUIT FOR 240/480 VOLT, 1Ø, 3 WIRE, 60HZ. SERVICE.
- ② (1) 100 AMP MAIN CIRCUIT BREAKER, 2 POLE, 600 VOLT, 100 AMP BASE, NON-INTERCHANGEABLE TRIP INTERRUPTING RATING NEMA - 14000 AMP AT 480 V.
- ③ (1) 100 AMP REMOTE CONTROL CONTACTOR SWITCH, ELECTRICALLY OPERATED, MECHANICALLY HELD, 2 POLE, SINGLE THROW, MINIMUM 60 AMP, 600 VOLT
- ④ (4) 30 AMP CIRCUIT BREAKER, 1 POLE, 240 VOLT, 100 AMP BASE, NON-INTERCHANGEABLE TRIP INTERRUPTING RATING NEMA - 14000 AMP AT 240 VOLTS.
- ⑤ (3) 20 AMP CONTROL CIRCUIT-CIRCUIT BREAKER, 1 POLE, 240 VOLT, 100 AMP BASE, NON-INTERCHANGEABLE TRIP INTERRUPTING RATING NEMA 14000 AMP AT 240 V.
- ⑥ (1) 20 AMP, 1 POLE DOUBLE THROW, 240 VOLT RELAY
- ⑦ (1) 1.5 KVA, SINGLE PHASE, ENCAPSULATED TRANSFORMER 240x480/120x240 VOLT, 60 HZ.
- ⑧ (1) 20 AMP, 120 VOLT DUPLEX GFCI RECEPTACLE.
- ⑨ NEUTRAL BUS BAR, 1/4"x1"x12" LONG MOUNTED ON PANEL WITH TAPS.
- ⑩ 3 POSITION SELECTOR SWITCH
- ⑪ SWITCH FOR LIGHTING FIXTURE MOUNTED IN BOX.
- ⑫ WEATHER-PROOF INCANDESCENT LIGHTING FIXTURE WITH 60 WATT, 120 V LAMP.
- ⑬ PHOTOCCELL MOUNTED TO CABINET, 240 V.
- ⑭ NO.2 AWG INSULATED GROUND WIRE.
- ⑮ IN-LINE FUSEHOLDER WITH FUSE AS NOTED IN FUSE TABLE.
- ⑯ GROUND BUS BAR 1/4"x1"x12" MINIMUM LENGTH MOUNTED ON PANEL WITH TAPS.
- ⑰ LUMINAIRE
- ⑱ (4) 30 AMP CIRCUIT BREAKER, 1 POLE, 600 VOLT, 100 AMP BASE, NON-INTERCHANGEABLE TRIP INTERRUPTING RATING NEMA - 14000 AMP AT 240 VOLTS.
- ⑳ 5.0 KVA, SINGLE PHASE, ENCAPSULATED TRANSFORMER 240x480/120x240 V, 60HZ
- ㉑ (4) 30 AMP CIRCUIT BREAKER, 2 POLE, 600 VOLT, 250 AMP BASE, NONE-INTERCHANGEABLE TRIP INTERRUPTING RATING NEMA - 14000 AMP AT 480 VOLTS.
- ㉒ WARNING PLATE TO READ: WARNING, MAINTENANCE CIRCUIT IS LIVE WHEN MAIN BREAKER IS SWITCHED OFF.

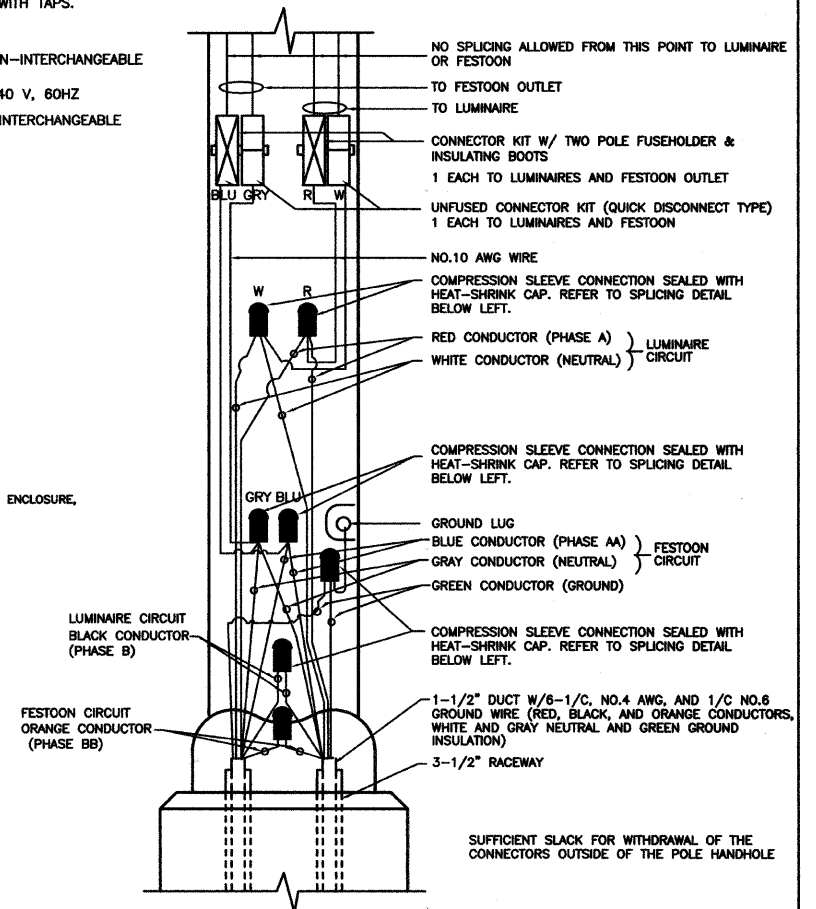
- Ⓐ LUMINAIRE CIRCUIT, 240V
- Ⓑ LUMINAIRE CIRCUIT, 240V
- Ⓒ LUMINAIRE CIRCUIT, 240V
- Ⓓ LUMINAIRE CIRCUIT, 240V
- ⒶⒶ FESTOON CIRCUIT, 120V
- ⒷⒷ FESTOON CIRCUIT, 120V
- ⒸⒸ FESTOON CIRCUIT, 120V
- ⒹⒹ FESTOON CIRCUIT, 120V

GENERAL NOTES FOR CONTROL CABINET

1. ENTIRE CONTROL CABINET SHALL BE GROUNDED.
2. ALL WIRING SHALL BE TAGGED WITH SELF-STICKING WIRE MARKERS.
3. GROUND BUS TO BE COLOR CODED GREEN, NEUTRAL BUS WHITE, AND BONDED TO CABINET ENCLOSURE, BY LISTED PRESSURE CONNECTORS OR LISTED CLAMPS.
4. ALL INTERNAL CONTROLLER WIRING TO BE NO.12 AWG UNLESS OTHERWISE SPECIFIED.
5. CABINET WIRING INSULATION TO BE TYPE XHHW OR APPROVED EQUAL.
6. CABINET SHALL BE SUITABLE FOR USE AS SERVICE ENTRANCE RATED.

| NOMINAL WATTAGE | FUSE SIZE |
|-----------------|-----------|
| LUMINAIRE 250W | 3.5 AMP |
| FESTOON | 6.0 AMP |

FUSE SIZE TABLE



POLE HANDHOLE WIRING DIAGRAM
TYPICAL FOR LUMINAIRE INSTALLATION WITH FESTOON
(A & AA PHASE SHOWN)



| | | | | | | | | | | | |
|---------------------------------|---------------|----------------|-----------|---|--|--|---------------|--------|--------------|-----------|--|
| FILE NAME = 09330-DTLS-01 - P04 | USER NAME = | DESIGNED - DWS | REVISED - | STATE OF ILLINOIS DEPARTMENT OF TRANSPORTATION | RIDGE ROAD & McEVILLY ROAD STREET LIGHTING DETAILS | F.A.U. R/E | SECTION | COUNTY | TOTAL SHEETS | SHEET NO. | |
| | CHECKED - PAP | REVISIONS | | | | 0384 | 09-0054-00-LT | GRUNDY | 11 | 9 | |
| PLOT SCALE = N/A | DRAWN - MJD | REVISIONS | | | | CONTRACT NO. 87438 | | | | | |
| PLOT DATE = 10-21-09 | CHECKED - PAP | REVISIONS | | | | SCALE: N/A SHEET NO. 9 OF 11 SHEETS STA. N/A TO STA. N/A FED. ROAD DIST. NO. 3 ILLINOIS FED. AID PROJECT ARA-003 (341) | | | | | |