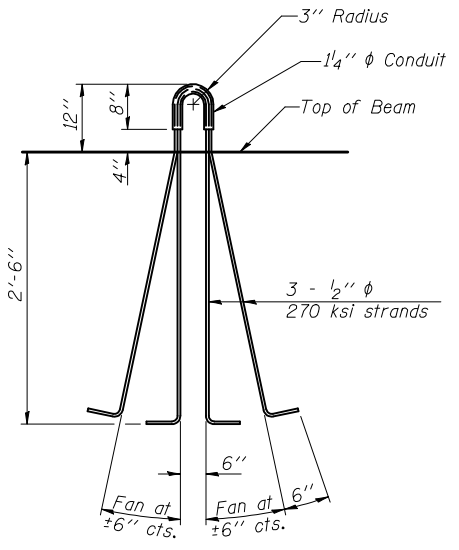


F.A.P. RTE.	SECTION	COUNTY	TOTAL SHEETS	SHEET NO.
717	110BR	DEWITT	40	16
STA. 736+00		TO STA. 741+00		
FED. ROAD DIST. NO. 5		ILLINOIS	FED. AID PROJECT	
SHEET 9 OF 14 SHEETS				

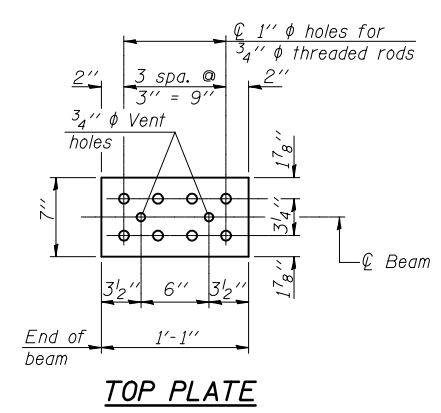
CONTRACT NO. 90932



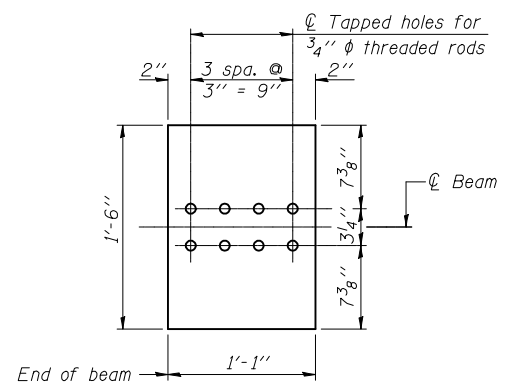
LIFTING LOOP DETAIL

NOTES

Inserts for 3/4" ϕ threaded dowel rods, when specified, are to be two strut, ferrule type for interior beams and single ferrule, flared loop type for exterior beams. Prestressing steel shall be uncoated high strength, low relaxation 7-wire strand, Grade 270. The nominal diameter shall be 1/2" and the nominal cross-sectional area shall be 0.153 sq. in. Reinforcement bars shall conform to ASTM A 706, Grade 60. (See Special Provisions). A minimum 2 1/2" ϕ lifting pin shall be used to engage the lifting loops during handling. Tilt G₆ bars when necessary to maintain 1 1/2" clearance. The top and bottom plates shall be AASHTO M270 Grade 50. The bottom plates and studs shall be galvanized according to AASHTO M111. Threaded rods shall be ASTM F 1554 Grade 55.

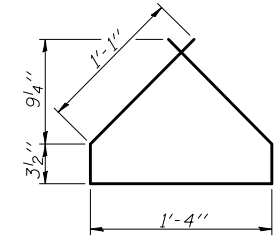


TOP PLATE

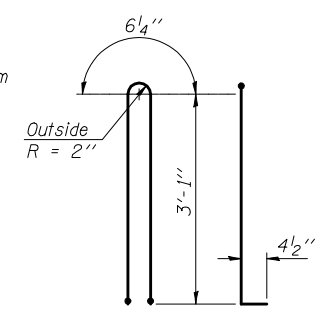


BOTTOM PLATE

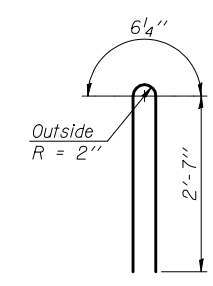
See bearing details for pintle hole locations when required.



BAR G4



BAR G1



BAR G2

BILL OF MATERIAL

Item	Unit	Total
Furnishing and Erecting Precast Prestressed Concrete I-Beams, 36"	Foot	312

REVISIONS	
NAME	DATE

ILLINOIS DEPARTMENT OF TRANSPORTATION
36" PPC I-BEAM DETAILS
 IL. ROUTE 10 OVER UN-NAMED CREEK
 FAP RTE. 717 SECTION 110BR
 STA. 738+60
 DEWITT COUNTY STR. No. 020-0061
 SCALE: N.T.S. DRAWN BY
 DATE MAY 2009 CHECKED BY MJS

TUG PROJ. # PRJ010
 PLOT DATE = 10/15/2009 8:15 AM
 FILE NAME = #FILE#