

75 70 65 60 55 50 45 40 35 30 25 20 15 10 5 0 5 10 15 20 25 30 35 40 45 50 55 60 65 70 75

F.A.P. RTE.	SECTION	COUNTY	TOTAL SHEETS	SHEET NO.
717	110BR	DEWITT	40	36
STA. 738+32.53		TO STA. 738+32.53		
FED. ROAD DIST. NO. 5		ILLINOIS FED. AID PROJECT		

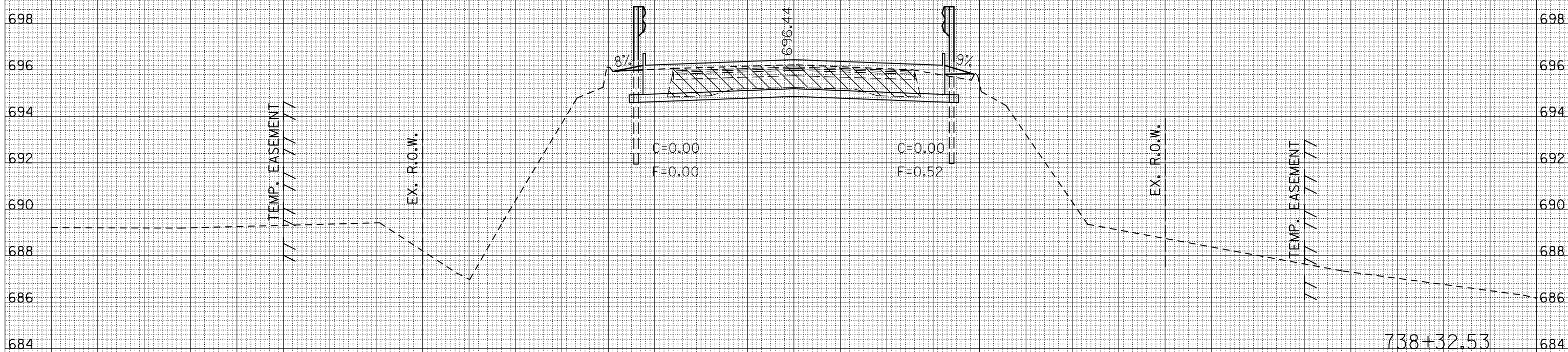
CONTRACT NO. 90932

FINAL SURVEY	SURVEYED	BY	DATE
NOTE BOOK NO.	PLOTTED		
	TEMPLATE		
	AREAS CHECKED		

ORIGINAL SURVEY	SURVEYED	BY	DATE
NOTE BOOK NO.	PLOTTED		
	TEMPLATE		
	AREAS CHECKED		

TLS PROJ. # APPROX. #
 PLOT DATE = 10/15/2009 *TIME*
 FILE NAME = #FILE*

BRIDGE OMISSION STA. 738+33.5 TO STA. 738+86.5



75 70 65 60 55 50 45 40 35 30 25 20 15 10 5 0 5 10 15 20 25 30 35 40 45 50 55 60 65 70 75