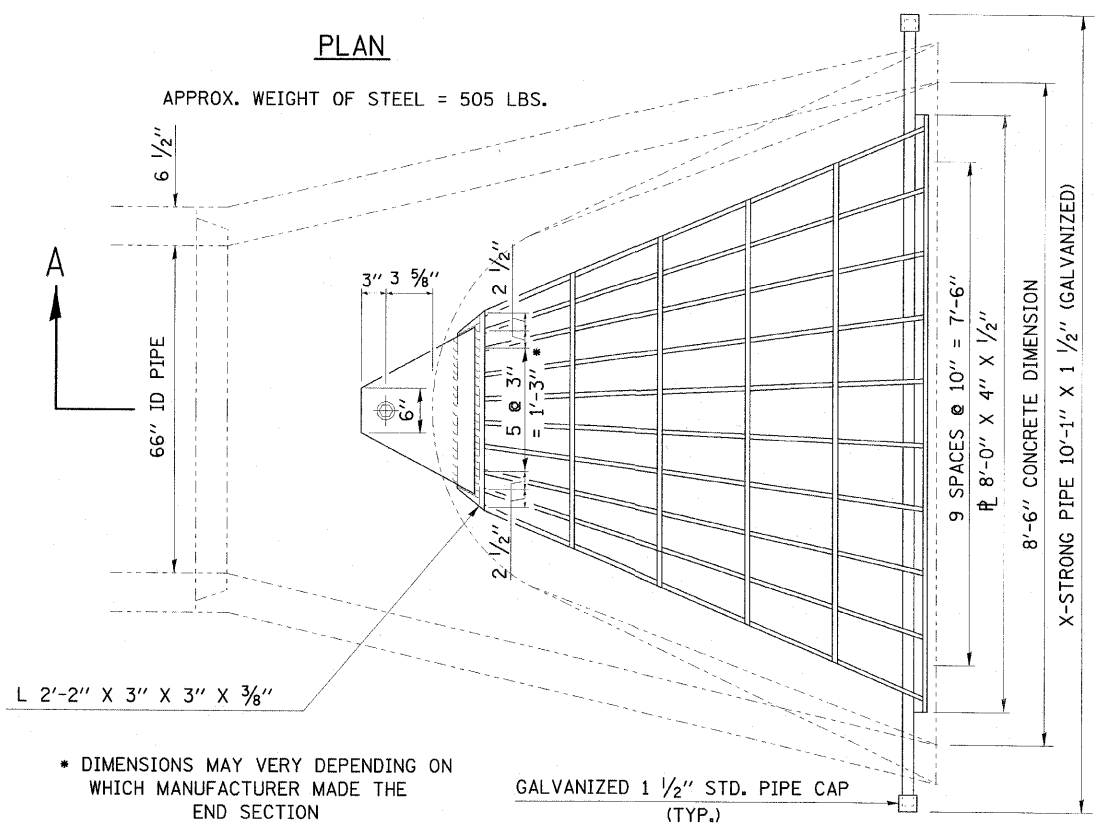
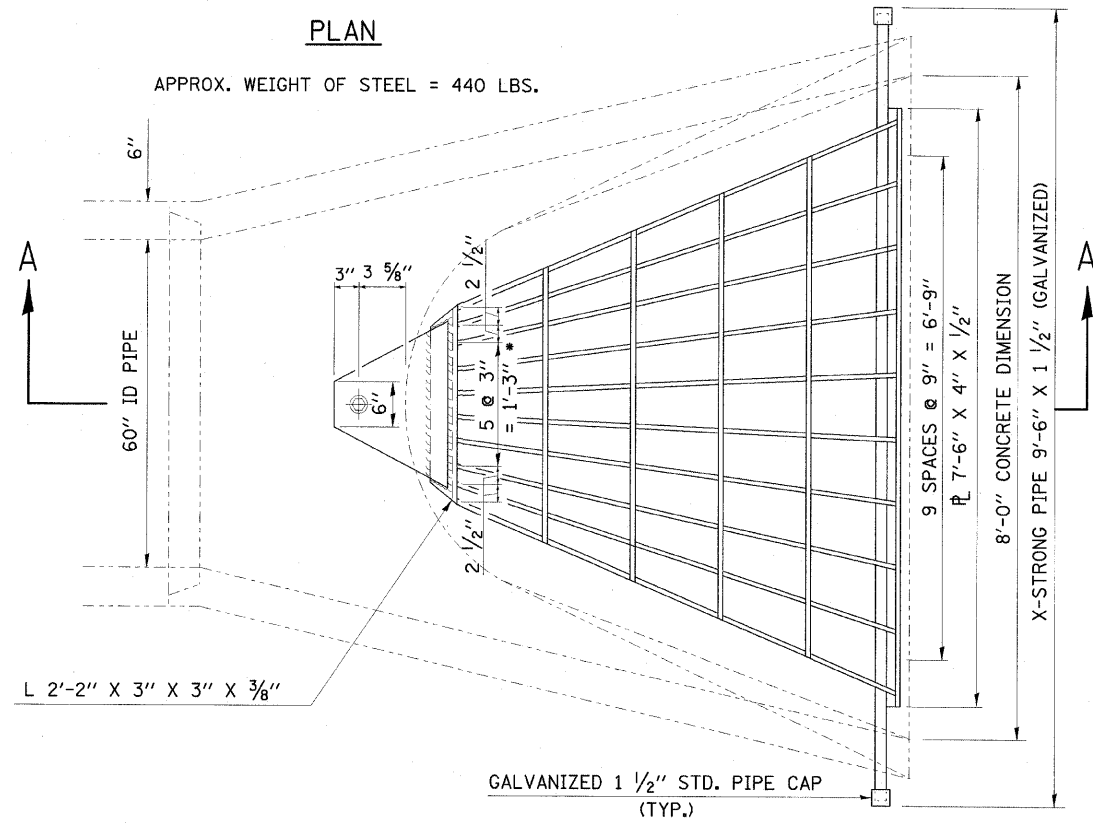


# GRATING FOR CONCRETE FLARED END SECTION (FOR 60", 66", & 72" PIPE)



**GENERAL NOTES**

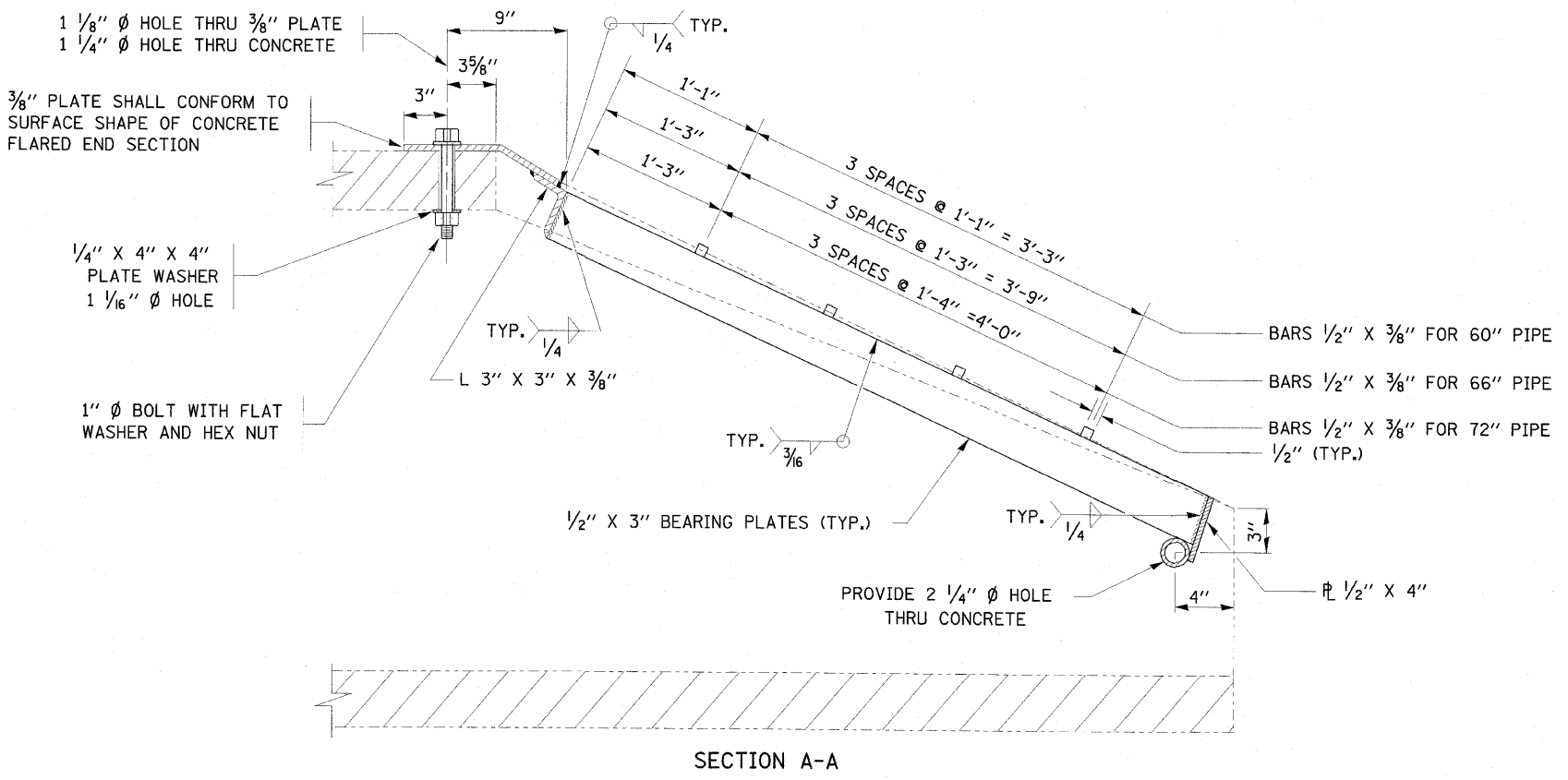
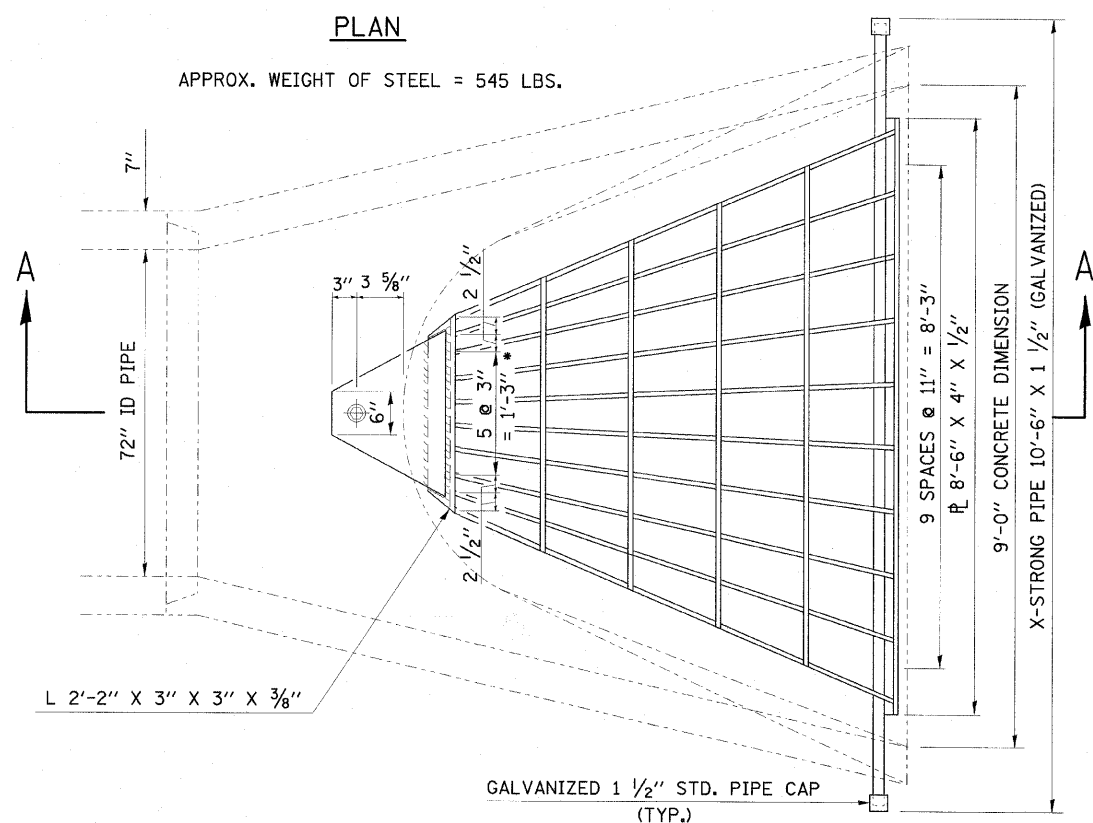
GRATING DETAILS SHOWN ARE INTENDED FOR USE WITH PARTICULAR SIZES OF PRECAST REINFORCED CONCRETE FLARED END SECTIONS AS SHOWN ON STANDARD 542301.

THE GRATING SHALL BE DONE IN ACCORDANCE WITH ARTICLE 542.07(b)(2) OF THE STANDARD SPECIFICATIONS FOR ROAD AND BRIDGE CONSTRUCTION.

THE CORED HOLES IN THE PRECAST CONCRETE FLARED END SECTIONS SHALL BE TO THE DIAMETERS NOTED. IF CONE-OUT ON THE OTHER END OF THE HOLE OCCURS, THE HOLE SHALL BE FILLED WITH GROUT TO CORRECT DIAMETER OF THE HOLE.

APPROXIMATE WEIGHT OF STEEL SHOWN INCLUDES TOTAL WEIGHT OF GRATING, BOLTS, WASHERS, NUTS AND STEEL PIPE.

THE CONTRACT UNIT PRICE " EACH " FOR GRATING FOR CONCRETE FLARED END SECTIONS OF THE SIZE INDICATED SHALL INCLUDE FABRICATION AND INSTALLATION OF THE GRATING AS DETAILED HEREON, INCLUDING FABRICATION OF THE NECESSARY MOUNTING HOLES IN THE FLARED END SECTION. THIS PRICE DOES NOT INCLUDE THE COST OF THE PRECAST CONCRETE FLARED END SECTION.



## GRATING FOR CONCRETE FLARED END SECTION (FOR 60", 66", & 72" PIPE)

USER: hms\_2009  
TIME: 14:22:09  
FILE: 71934\_516.dwg  
SCALE: 0.0004 / IN

**ESCA**  
CONSULTANTS, INC.

DESIGNED BY:	ELH	07/02/09	SCALE:	NO SCALE	NO.	DATE	REVISION	APVD
DRAWN BY:	HAS	07/02/09	DATE:	07/23/2009				
CHECKED BY:	ELH	07/02/09	JOB NO.	719.34				
APPROVED BY:	RDP	07/02/09						

BUCHANAN STREET STRUCTURE  
CITY OF MONTICELLO

GRATING FOR CONCRETE  
FLARED END SECTION

DRAWING NUMBER  
10  
10 OF 10