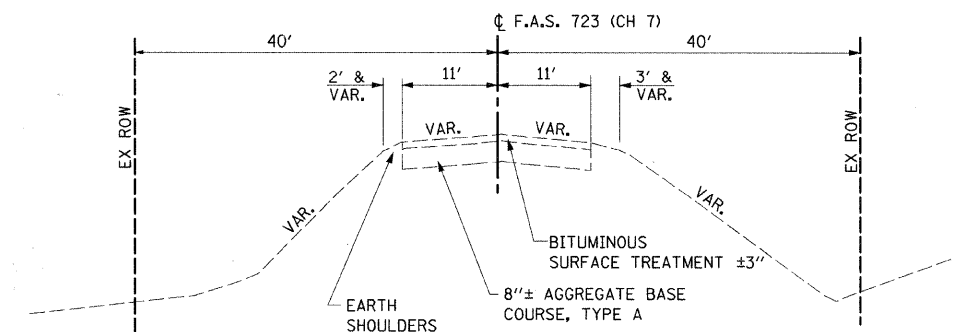


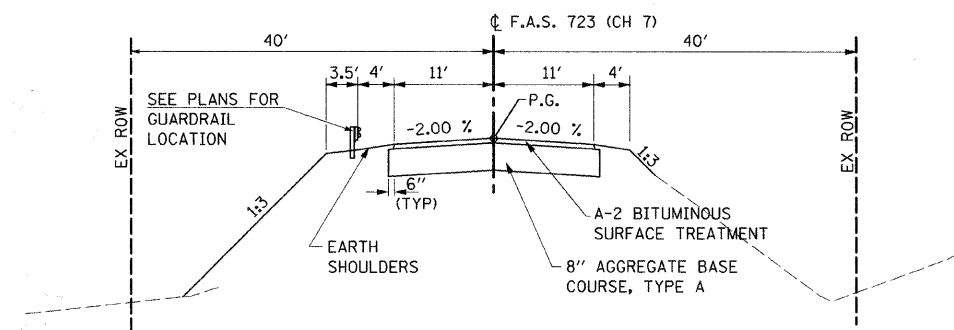
SUMMARY OF QUANTITIES				CONSTRUCTION TYPE CODE	
CODE NO.	ITEM	UNIT	TOTAL	F000	X081-2A
20200100	EARTH EXCAVATION	CU YD	365	365	0
20300100	CHANNEL EXCAVATION	CU YD	59	0	59
20400800	FURNISHED EXCAVATION	CU YD	309	309	0
25000200	SEEDING, CLASS 2	ACRE	0.5	0.5	0
25000400	NITROGEN FERTILIZER NUTRIENT	POUND	45	45	0
25000500	PHOSPHORUS FERTILIZER NUTRIENT	POUND	45	45	0
25000600	POTASSIUM FERTILIZER NUTRIENT	POUND	45	45	0
25100115	MULCH, METHOD 2	ACRE	0.5	0.5	0
25100630	EROSION CONTROL BLANKET	SQ YD	2420	2420	0
28000250	TEMPORARY EROSION CONTROL SEEDING	POUND	200	200	0
28000400	PERIMETER EROSION BARRIER	FOOT	800	800	0
28100707	STONE DUMPED RIPRAP, CLASS A4	SQ YD	340	0	340
28200200	FILTER FABRIC	SQ YD	340	0	340
35100700	AGGREGATE BASE COURSE, TYPE A 8"	SQ YD	1031	1031	0
40300100	BITUMINOUS MATERIALS (PRIME COAT)	GALLON	538	538	0
40300300	BITUMINOUS MATERIALS (COVER AND SEAL COATS)	GALLON	1076	1076	0.0
40300500	COVER COAT AGGREGATE	TON	13	13	0
40300600	SEAL COAT AGGREGATE	TON	13	13	0
50100100	REMOVAL OF EXISTING STRUCTURES	EACH	1	0	1
50200100	STRUCTURE EXCAVATION	CU YD	82	0	82
50300225	CONCRETE STRUCTURES	CU YD	27.2	0	27.2
50300280	CONCRETE ENCASEMENT	CU YD	4.2	0	4.2
50400605	PRECAST PRESTRESSED CONCRETE DECK BEAMS (33" DEPTH)	SQ FT	2100	0	2100
50800105	REINFORCEMENT BARS	POUND	3530	0	3530
50901050	* STEEL RAILING, TYPE SM	FOOT	140	0	140
51201400	FURNISHING STEEL PILES HP10x42	FOOT	415	0	415
51202305	DRIVING PILES	FOOT	415	0	415
51203400	TEST PILE STEEL HP10x42	EACH	1	0	1
51500100	NAME PLATES	EACH	1	0	1
58300100	PORTLAND CEMENT MORTAR FAIRING COURSE	FOOT	630	0	630
63000001	* STEEL PLATE BEAM GUARD RAIL, TYPE A, 6 FOOT POSTS	FOOT	150.0	150.0	0
63100045	* TRAFFIC BARRIER TERMINAL, TYPE 2	EACH	2	2	0
63100087	* TRAFFIC BARRIER TERMINAL, TYPE 6A	EACH	4	4	0
63100167	* TRAFFIC BARRIER TERMINAL, TYPE 1 (SPECIAL) TANGENT	EACH	2	2	0
67100100	MOBILIZATION	L SUM	1	1	0
70101700	TRAFFIC CONTROL AND PROTECTION	L SUM	1	0	1
78201000	* TERMINAL MARKER - DIRECT APPLIED	EACH	2	0	2

* INDICATES SPECIALTY ITEM



EXISTING TYPICAL SECTION

STA 439+25.00 TO STA 441+28.17
STA 441+99.83 TO STA 444+00.00



PROPOSED TYPICAL SECTION

STA 439+25.00 TO STA 441+28.17
STA 441+99.83 TO STA 444+00.00

GENERAL NOTES

- THIS SECTION SHALL BE CONSTRUCTED IN ACCORDANCE WITH THE PLANS, "STANDARD SPECIFICATIONS FOR ROAD AND BRIDGE CONSTRUCTION", ADOPTED JANUARY 1, 2007, AND THE SPECIAL PROVISIONS.
- ALL STATIONING REFERS TO THE CENTERLINE OF NEW CONSTRUCTION
- THE EXISTING ROAD SHALL REMAIN CLOSED TO THROUGH TRAFFIC DURING CONSTRUCTION; SEE SPECIAL PROVISIONS.
- THE HIGHWAY STANDARD NUMBERS LISTED SHALL NOT BE SUPERCEDED BY LATER REVISIONS OF THE STANDARDS LISTED IN THE PLANS.
- THE LOCATIONS AND/OR DEPTHS OF UNDERGROUND UTILITIES SHOWN HAVE BEEN TAKEN FROM AVAILABLE RECORD INFORMATION FURNISHED BY THE UTILITY OWNERS AND MUST BE CONSIDERED APPROXIMATE. FIELD MARKING OF FACILITIES IN CRITICAL AREAS MAY BE OBTAINED BY PROVIDING A MINIMUM OF 48 HOURS ADVANCE NOTICE TO J.U.L.I.E. ☎ (800) 892-0123.
- THE FOLLOWING CONSTANTS WERE USED IN THE CALCULATIONS OF QUANTITIES FOR THIS PROJECT.

BITUMINOUS MATERIALS (PRIME COAT) - 0.50 GAL. / SQ. YD.
BITUMINOUS COVER COAT MATERIAL - 0.50 GAL. / SQ. YD.
COVER COAT AGGREGATE - 25 LBS. / SQ. YD.
BITUMINOUS SEAL COAT MATERIAL - 0.50 GAL. / SQ. YD.
SEAL COAT AGGREGATE - 25 LBS. / SQ. YD.

FILE NAME =	USER NAME = HURST-ROSCH	DESIGNED JJC	REVISED -
ts:\132-3928_nokoms_rd_bridge\dgn\gen	notes & typ.dgn	DRAWN UJ	REVISED -
	PLOT SCALE = 1/8" = 1' / IN.	CHECKED MAR	REVISED -
	PLOT DATE = 9/15/2009	DATE 9-14-09	REVISED -

STATE OF ILLINOIS
DEPARTMENT OF TRANSPORTATION

GENERAL NOTES, SUMMARY OF QUANTITIES AND TYPICAL SECTIONS

SCALE: NONE SHEET NO. 1 OF 1 SHEETS STA. TO STA.

F.A.S. RTE. 723	SECTION 08-00129-00-BR	COUNTY MONTGOMERY	TOTAL SHEETS 18	SHEET NO. 2
FED. ROAD DIST. NO. 6 ILLINOIS FED. AID PROJECT			CONTRACT NO. 93498	

9/15/2009 3:44:07 PM