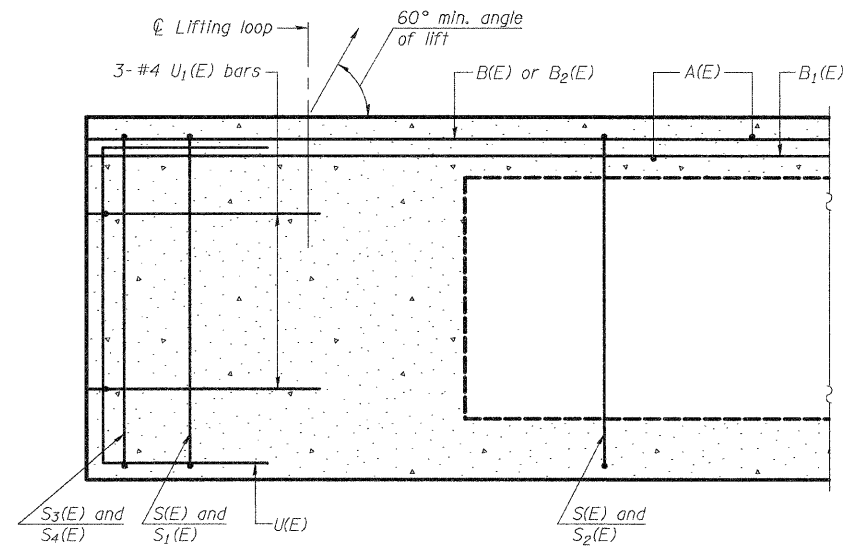


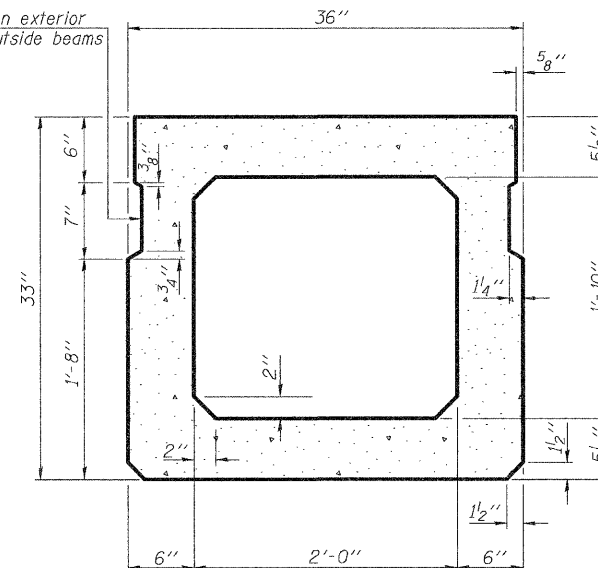
STATE OF ILLINOIS
DEPARTMENT OF TRANSPORTATION



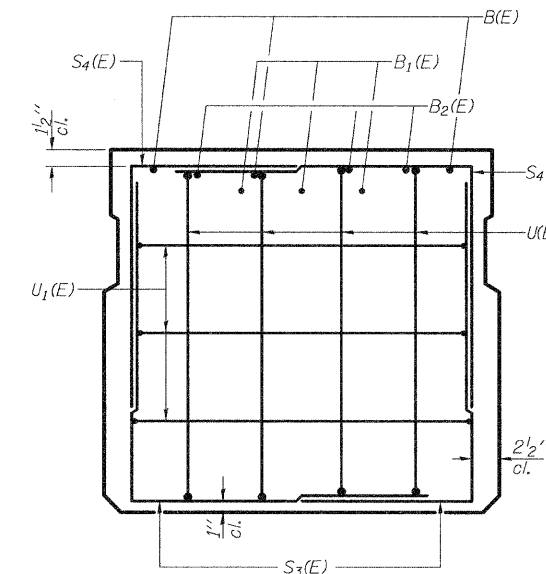
SECTION C-C

* Omit key on exterior face of outside beams

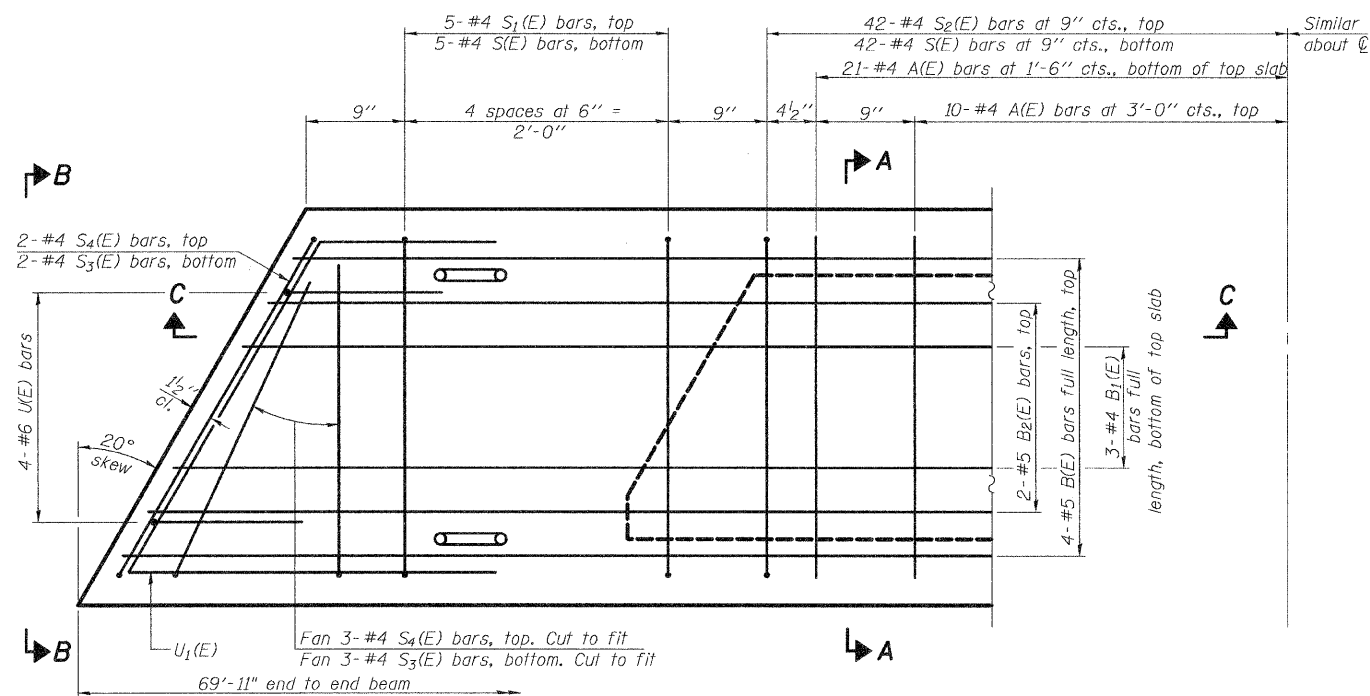
* Rail post anchor devices (Sht 6 of 9) shall be cast into exterior face of outside beams.



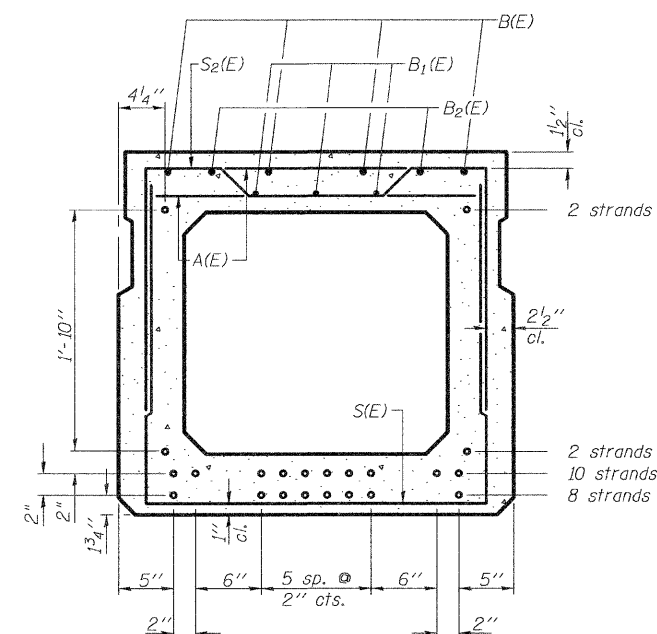
SECTION A-A
(Showing dimensions)



VIEW B-B



PLAN VIEW



SECTION A-A

(Showing reinforcement and permissible strand locations)

Note: Place the number of strands specified in each row symmetrically about the centerline of beam in the permissible strand locations shown.

BAR LIST
ONE BEAM ONLY
(For information only)

Bar	No.	Size	Length	Shape
A(E)	62	#4	2'-7"	—
B(E)	4	#5	69'-7"	—
B1(E)	3	#4	69'-7"	—
B2(E)	4	#5	14'-0"	—
S(E)	94	#4	7'-5"	U
S1(E)	10	#4	6'-3"	U
S2(E)	84	#4	6'-6"	U
S3(E)	5	#4	4'-5"	U
S4(E)	5	#4	3'-10"	U
U(E)	8	#6	5'-0"	C
U1(E)	6	#4	6'-2"	C

Note: See sheet 4 of 9 for additional details and Bill of Material.

Note: Spacing of S(E) and S2(E) bars may be adjusted up to 4 inches in the immediate area of the transverse tie diaphragms to miss the block outs for the transverse ties.

DESIGNED	JLG
CHECKED	JSP
DRAWN	UJ
CHECKED	CJC

HR
HURST-ROSCHÉ
ENGINEERS, INC.
PROFESSIONAL DESIGN NUMBER: 184-00078

33" x 36" PPC DECK BEAM
STRUCTURE NO. 068-3359

SHEET NO. 3 9 SHEETS	F.A.S. RTE.	SECTION	COUNTY	TOTAL SHEETS	SHEET NO.
	723	08-00129-00-BR	MONTGOMERY	18	7
			CONTRACT NO. 93498		
FED. ROAD DIST. NO. 6 ILLINOIS FED. AID PROJECT					

© 2008, 2009, 2010, 2011, 2012, 2013, 2014, 2015, 2016, 2017, 2018, 2019, 2020, 2021, 2022, 2023, 2024, 2025, 2026, 2027, 2028, 2029, 2030, 2031, 2032, 2033, 2034, 2035, 2036, 2037, 2038, 2039, 2040, 2041, 2042, 2043, 2044, 2045, 2046, 2047, 2048, 2049, 2050, 2051, 2052, 2053, 2054, 2055, 2056, 2057, 2058, 2059, 2060, 2061, 2062, 2063, 2064, 2065, 2066, 2067, 2068, 2069, 2070, 2071, 2072, 2073, 2074, 2075, 2076, 2077, 2078, 2079, 2080, 2081, 2082, 2083, 2084, 2085, 2086, 2087, 2088, 2089, 2090, 2091, 2092, 2093, 2094, 2095, 2096, 2097, 2098, 2099, 2100