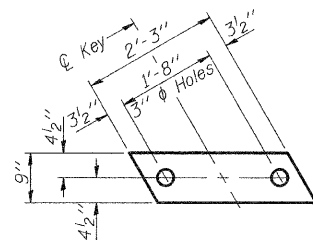
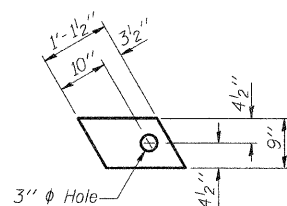


STATE OF ILLINOIS
DEPARTMENT OF TRANSPORTATION



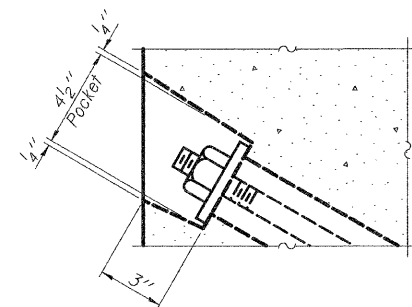
FABRIC BEARING PAD
(Interior)



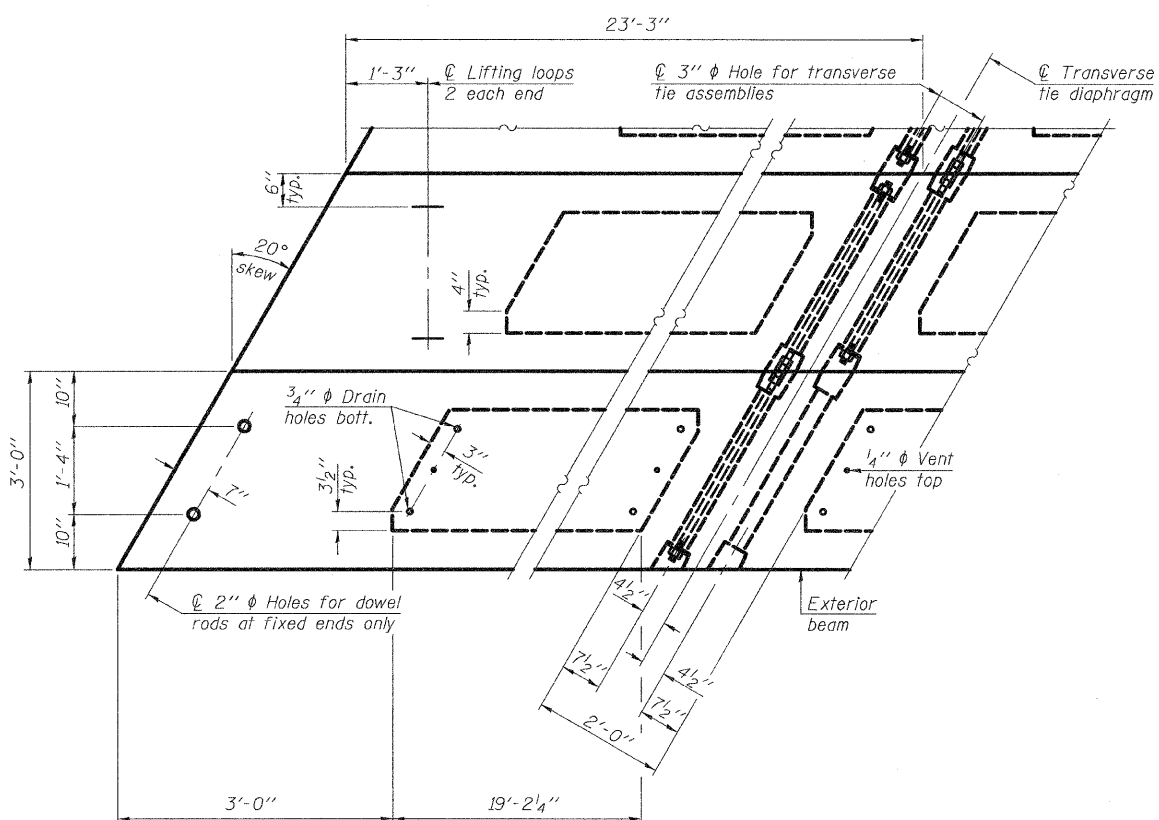
FABRIC BEARING PAD
(Exterior)

FIXED

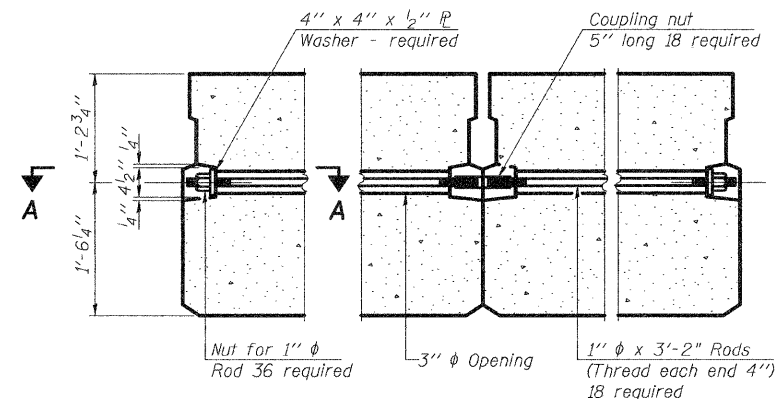
Note: Omit holes when using expansion bearings.



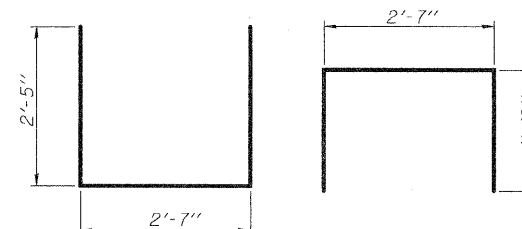
SECTION A-A



PLAN VIEW

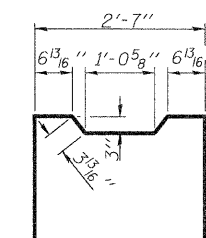


TYPICAL TRANSVERSE TIE ASSEMBLY

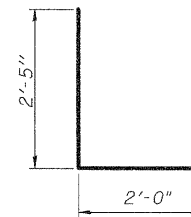


BAR S₁(E)

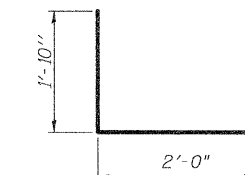
BAR S(E)



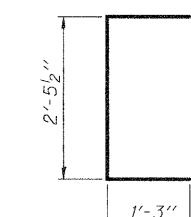
BAR S₂(E)



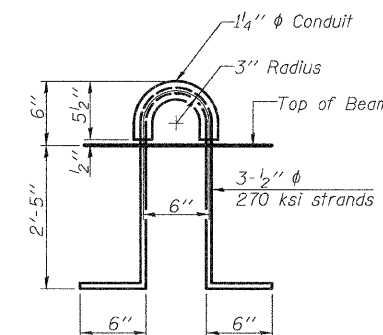
BAR S₃(E)



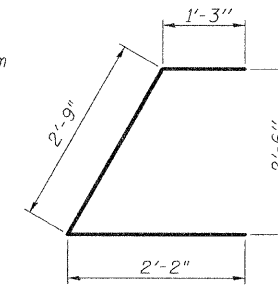
BAR S₄(E)



BAR U(E)



LIFTING LOOP DETAIL



BAR U₁(E)

BILL OF MATERIAL

Precast Prestressed Conc. Deck Bms. (33" depth)	Sq. Ft.	2100
---	---------	------

**33" X 36" PPC DECK BEAM DETAILS
STRUCTURE NO. 068-3359**

Note: Connect beams in pairs with the transverse tie configuration shown.

NOTES

- Prestressing steel shall be uncoated high strength, low relaxation 7-wire strand, Grade 270. The nominal diameter shall be 1/2" and the nominal cross-sectional area shall be 0.153 sq. in.
- The 1" rods in the transverse tie assembly shall be tightened to a snug fit and the threads set. Pockets on exterior faces of bridge shall be filled with grout after transverse tie assembly is in place.
- Reinforcement bars shall conform to ASTM A 706, Grade 60. (See Special Provisions).
- Two 1/8" fabric adjusting shims of the dimensions of the exterior bearing pad shall be provided for each bearing pad location.
- A minimum 2 1/2" lifting pin shall be used to engage the lifting loops during handling.
- Corrosion Inhibitor, per Article 1020.05(b)(12) and 1021.06 of the Standard Specifications, shall be used in the concrete for precast prestressed concrete deck beams.
- Compressive strength of prestressed concrete, f'c, shall be 6000 psi.
- Compressive strength of prestressed concrete at release, f'ci, shall be 5000 psi.

DESIGNED	JLG
CHECKED	JSP
DRAWN	UJ
CHECKED	CJC



SHEET NO. 4 9 SHEETS	F.A.S RTE.	SECTION	COUNTY	TOTAL SHEETS	SHEET NO.
	723	08-00129-00-BR	MONTGOMERY	18	8
			CONTRACT NO. 98498		
FED. ROAD DIST. NO. 6 ILLINOIS FED. AID PROJECT					

3:07:16 PM 3/17/2005 3:07:16 PM