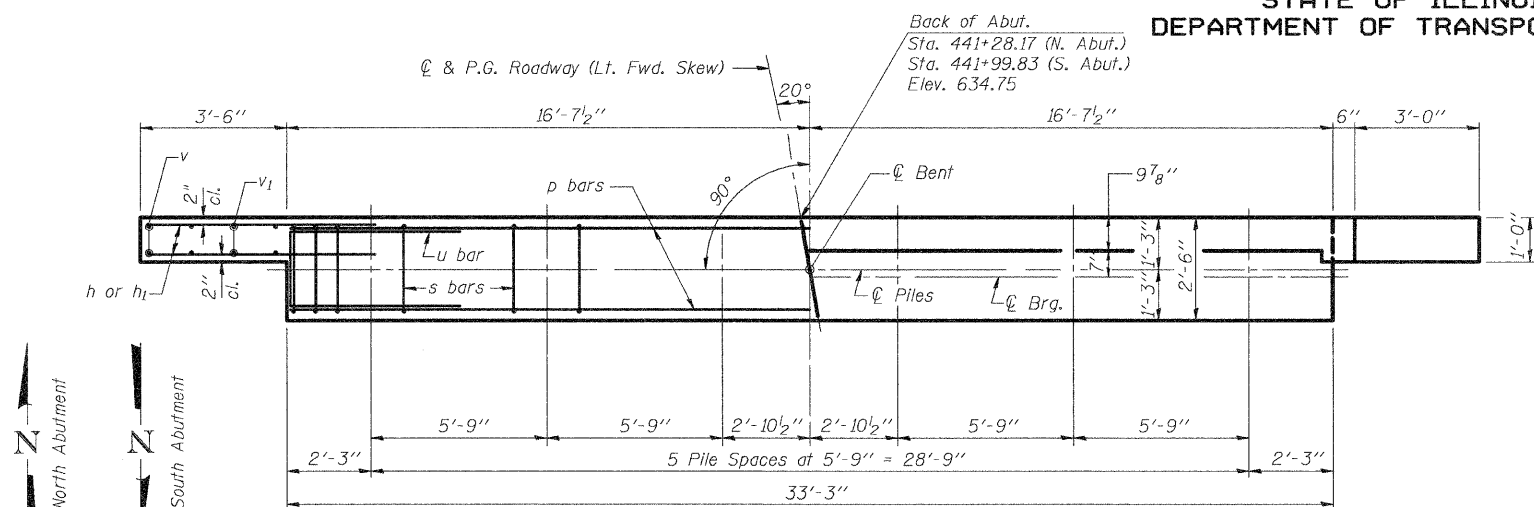


STATE OF ILLINOIS
DEPARTMENT OF TRANSPORTATION

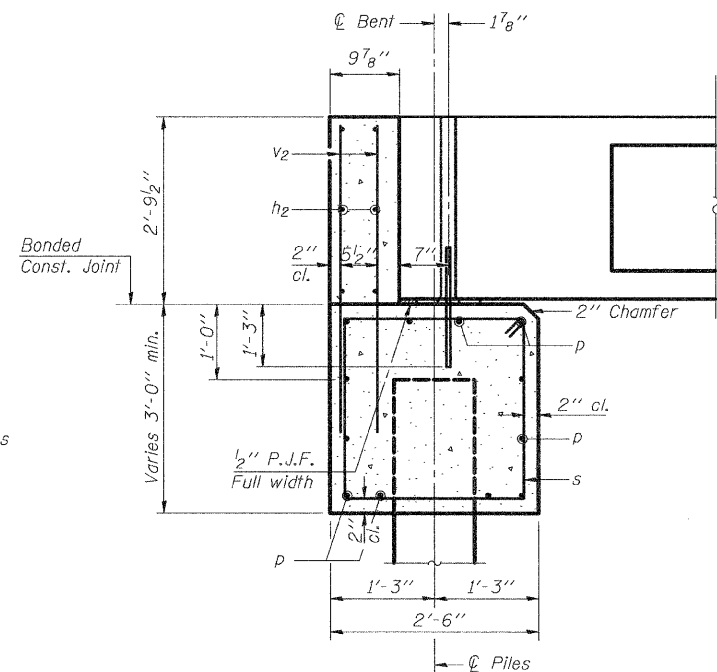


PLAN

(North Abutment shown)
(South Abutment similar, except as noted)

PILE DATA (2-ABUTS.)

Type: HP 10x42
Nominal Required Bearing: 160 Kips
Factored Resistance Available: 80 Kips
Est. Length: 35 Feet (North Abut)
40 Feet (South Abut)
No. Production Piles: 11
No. Test Piles: 1 (North Abut)

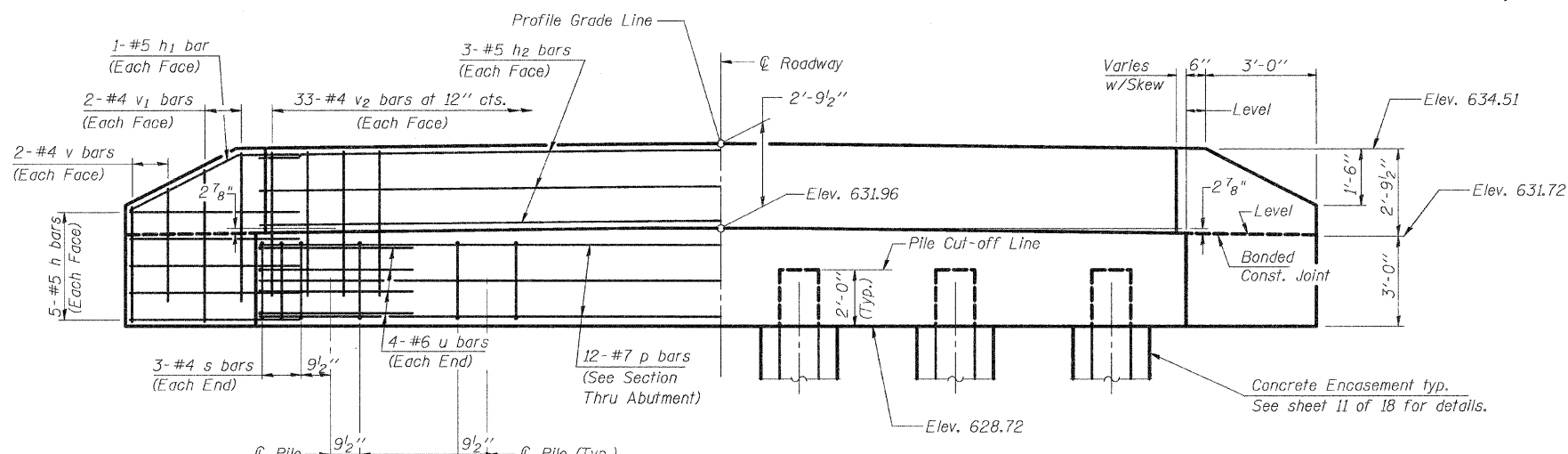


SECTION THRU ABUTMENT

(At Right Angles)

DESIGN STRESSES

$f'_c = 3,500$ psi
 $f_y = 60,000$ psi



ELEVATION AT NORTH ABUTMENT

(Looking North)
(South Abutment similar, except as noted)

BILL OF MATERIAL FOR THE NORTH ABUTMENT

Bar	No.	Size	Length	Shape
h	20	#5	5'-0"	—
h1	4	#5	5'-3"	—
h2	6	#5	32'-11"	—
p	12	#7	32'-11"	—
s	36	#4	10'-5"	□
u	8	#6	11'-1"	□
v	8	#4	3'-8"	—
v1	8	#4	4'-8"	—
v2	66	#4	4'-5"	—
Structure Excavation				Cu. Yd. 41
Concrete Structures				Cu. Yd. 13.6
Reinforcement Bars				Lb. 1765
Furnishing Steel Piles HP 10x42				Ft. 175
Driving Piles				Ft. 175
Test Pile Steel HP 10x42				Each 1
Concrete Encasement				Cu. Yd. 2.1

BILL OF MATERIAL FOR THE SOUTH ABUTMENT

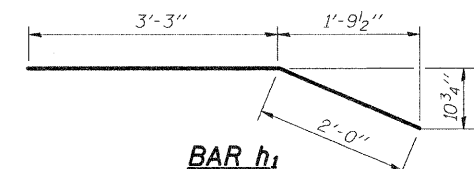
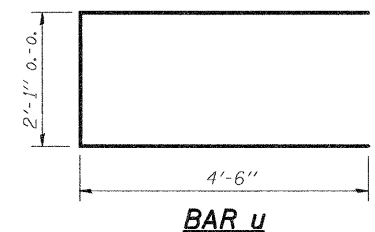
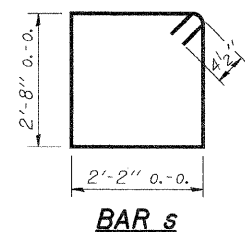
Bar	No.	Size	Length	Shape
h	20	#5	5'-0"	—
h1	4	#5	5'-3"	—
h2	6	#5	32'-11"	—
p	12	#7	32'-11"	—
s	36	#4	10'-5"	□
u	8	#6	11'-1"	□
v	8	#4	3'-8"	—
v1	8	#4	4'-8"	—
v2	66	#4	4'-5"	—
Structure Excavation				Cu. Yd. 41
Concrete Structures				Cu. Yd. 13.6
Reinforcement Bars				Lb. 1765
Furnishing Steel Piles HP 10x42				Ft. 240
Driving Piles				Ft. 240
Concrete Encasement				Cu. Yd. 2.1

NOTES

- The Backwall and the portion of the Wingwalls above the bonded construction joint shall be cast against the in-place beam.
- Reinforcement bars shall conform to the requirements of ASTM A706, Grade 60.
- Space reinforcement in cap to miss anchor bolts.

DESIGNED	JLG
CHECKED	JSP
DRAWN	UJ
CHECKED	CJC

HR
HURST-ROSCHÉ
ENGINEERS, INC.
PROFESSIONAL DESIGN NUMBER: 184-00078



**PPC DECK BEAM PILE BENT ABUTMENT
STRUCTURE NO. 068-3359**

SHEET NO. 5 9 SHEETS	F.A.S. RTE. 723	SECTION 08-00129-00-BR	COUNTY MONTGOMERY	TOTAL SHEETS 18	SHEET NO. 9
	CONTRACT NO. 93498				
FED. ROAD DIST. NO. 6 ILLINOIS FED. AID PROJECT					