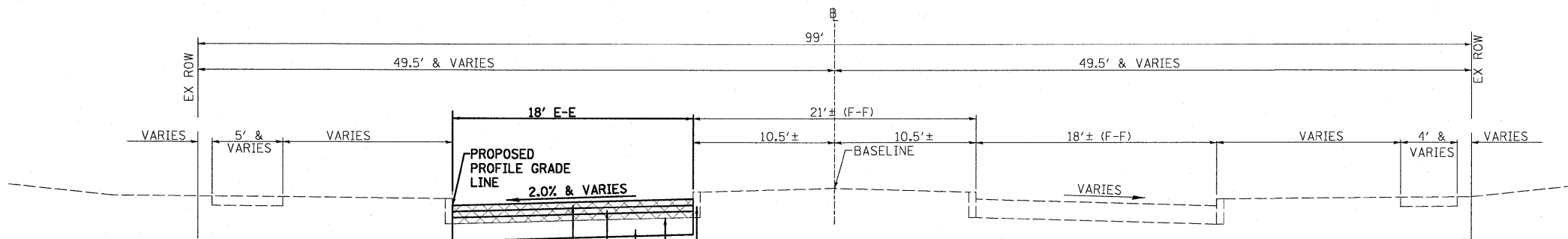


**BROADWAY STREET  
PROPOSED TYPICAL SECTION  
STA 31+26.0 TO STA 36+27.5  
(MAIN STREET TO MARKET STREET)**

- EXISTING CURB TO REMAIN (TYP.) (SEE NOTE 4)
- PROPOSED AGGREGATE BASE COURSE, TYPE A, 4"
- PROPOSED CLASS C PATCH (6.5")
- PROPOSED SAWED LONGITUDINAL JOINT W/ 30"
- \*6 EPOXY COATED TIE BARS @ 30" CENTERS (TYP.)
- PROPOSED CONSTRUCTION JOINT W/24" \*6 EPOXY COATED TIE BARS @ 30" CENTERS (TYP.)



**BROADWAY STREET  
PROPOSED TYPICAL SECTION  
STA 36+27.5 TO STA 55+75.0  
(MARKET STREET TO CLARK STREET)**

- EXISTING CURB TO REMAIN (TYP.) (SEE NOTE 4)
- PROPOSED PAVEMENT REMOVAL
- PROPOSED AGGREGATE BASE COURSE, TYPE A, 8"
- PROPOSED HOT-MIX ASPHALT BINDER COURSE, IL-19.0, N50, 2.25"
- PROPOSED HOT-MIX ASPHALT SURFACE COURSE, MIX "C", N50, 1.5"

**NOTES:**

1. THE SAWED LONGITUDINAL JOINT AND TIE BARS SHALL BE PROVIDED IN ACCORDANCE WITH STANDARD BLR 10-6, TYPE E JOINT EXCEPT IT SHALL ALSO BE SEALED WITH HOT POURED JOINT SEALER IN ACCORDANCE WITH ARTICLE 1050.02.
2. THE SAWED TRANSVERSE CONTRACTION JOINTS SHALL BE PROVIDED IN ACCORDANCE WITH STANDARD BLR 10-6, TYPE C JOINT AT 12.5' SPACING EXCEPT IT SHALL ALSO BE SEALED WITH HOT POURED JOINT SEALER IN ACCORDANCE WITH ARTICLE 1050.02.

3. EXISTING CURB IS NOT TO BE DISTURBED. SHOULD CURB BE DISTURBED DURING CONSTRUCTION OPERATIONS, THE CONTRACTOR SHALL REPLACE WITH CONCRETE CURB TY B AT HIS/HER OWN EXPENSE. PROPOSED BACK OF CURB SHALL MATCH EXISTING BACK OF CURB.

**STRUCTURAL DESIGN DATA:**

ADT (2008) 1,143, (2020) 1,288 DHV=129  
 STRUCTURAL DESIGN TRAFFIC YEAR: 2020  
 PV: 1,229 SU: 42 MU: 17  
 CLASS OF STREET: III  
 TRAFFIC FACTOR: 0.092 AT 20 YEAR DESIGN PERIOD WITH 73,280 LB TRUCKS  
 SUBGRADE SUPPORT RATING: POOR  
 PAVEMENT STRUCTURAL MATERIALS: 3.75" HMA ON 8" AGGREGATE BASE

MIXTURE USE(S):	HOT-MIX ASPHALT SURFACE COURSE	HOT-MIX ASPHALT BINDER COURSE
AC/PG:	PG 64-22 (N50)	PG 64-22 (N50)
RAP % (MAX):	15%	15%
DESIGN AIR VOIDS	4.0% AT Ndes = 50	4.0% AT Ndes = 50
MIXTURE CONDITION: (GRADUATION MIXTURE)	IL-9.5	IL-19.0
FRICTION AGGREGATE	MIX C	N/A

0081364\_TypXsect.dgn 9/28/2009 9:34:57 PM P:\2009\0801\360 Havana Broadway.dgn

FILE NAME = 0081364_TypXsect.dgn	USER NAME =	DESIGNED - PSA	REVISED -	<b>STATE OF ILLINOIS DEPARTMENT OF TRANSPORTATION</b>	<b>CITY OF HAVANA - BROADWAY STREET PROPOSED TYPICAL SECTIONS</b>	F.A. RTE.	SECTION	COUNTY	TOTAL SHEETS	SHEET NO.
		DRAWN - JTC	REVISED -					MASON	60	10
PLOT SCALE =		CHECKED - ERB/RDY	REVISED -			SCALE: N.T.S.	SHEET NO. OF SHEETS	CONTRACT NO. 93502		
PLOT DATE = 9/28/2009 9:34:57 PM		DATE - 09/29/09	REVISED -			STA. 31+11 TO STA. 55+75	FED. ROAD DIST. NO. ILLINOIS FED. AID PROJECT			