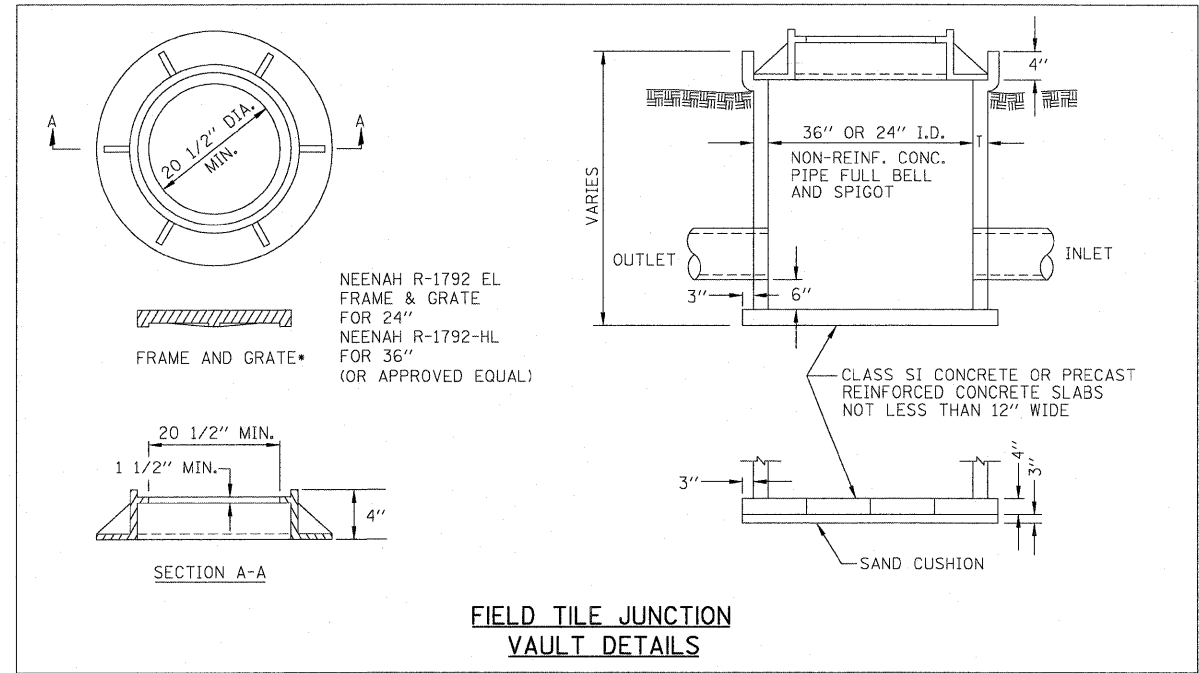


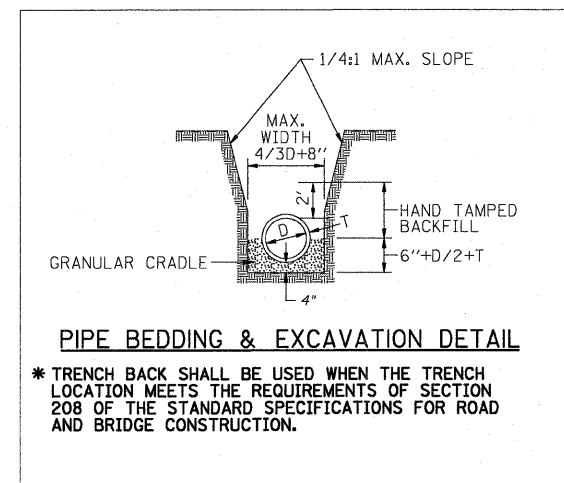
CONCRETE STEP DETAIL

NOTE:  
THE COST OF THE CLASS SI CONCRETE, REINFORCEMENT, AND P.J.F. SHALL NOT BE PAID FOR SEPARATELY, BUT SHALL BE INCLUDED IN THE COST FOR "CONCRETE STEPS".

STATION	NO. OF RISERS	REINFORCEMENT BARS						CL. SI CONC CU. YD.	PAY SQ. FT.
		HORZ. (b)	NO.	VERT. (a)	NO.	SIZE	LBS.		
20+89, RT.	8	5'-7"	13	10'-3"	9	#4	111	4.5	49.5
24+99, RT.	6	5'-7"	10	8'-2"	9	#4	87	3.6	38.5

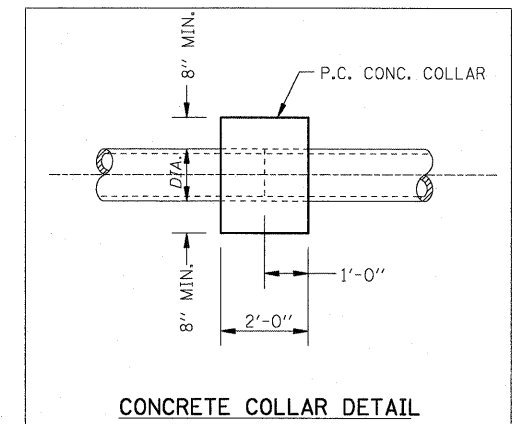


FIELD TILE JUNCTION VAULT DETAILS



PIPE BEDDING & EXCAVATION DETAIL

\* TRENCH BACK SHALL BE USED WHEN THE TRENCH LOCATION MEETS THE REQUIREMENTS OF SECTION 208 OF THE STANDARD SPECIFICATIONS FOR ROAD AND BRIDGE CONSTRUCTION.



CONCRETE COLLAR DETAIL

0081364\_MiscDetail.dgn 10:46:48 AM 9/28/2009 09:00:00 0081364\_MiscDetail.dgn

FILE NAME =	0081364_MiscDetail.dgn	DESIGNED -	PSA	REVISED -	
USER NAME =		DRAWN -	JTC	REVISED -	
PLOT SCALE =		CHECKED -	ERB/RDY	REVISED -	
PLOT DATE =	9/28/2009 10:46:48 AM	DATE -	09/29/09	REVISED -	

STATE OF ILLINOIS  
DEPARTMENT OF TRANSPORTATION

CITY OF HAVANA - BROADWAY STREET  
MISCELLANEOUS ROADWAY DETAILS

SCALE: N.T.S. SHEET NO. OF SHEETS STA. 10+37 TO STA. 55+75

F.A. RTE.	SECTION	COUNTY	TOTAL SHEETS	SHEET NO.
	05-00035-00-SS	MASON	60	32
CONTRACT NO. 93502				
FED. ROAD DIST. NO. [ILLINOIS] FED. AID PROJECT				