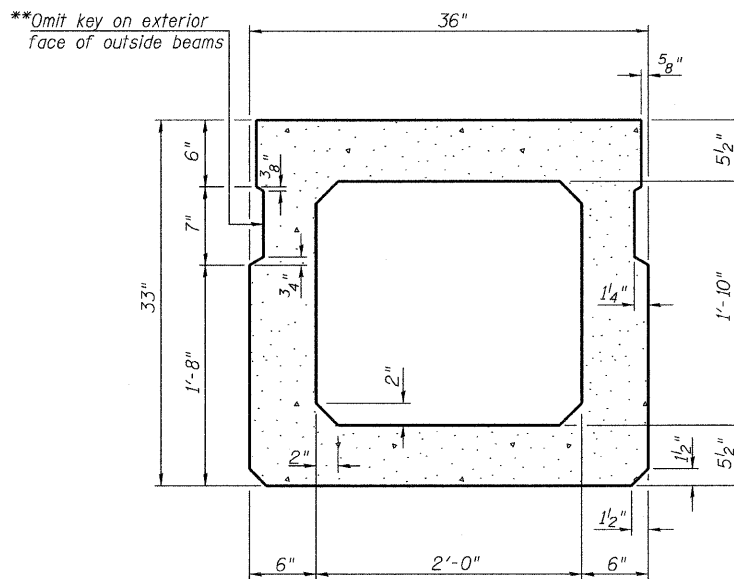
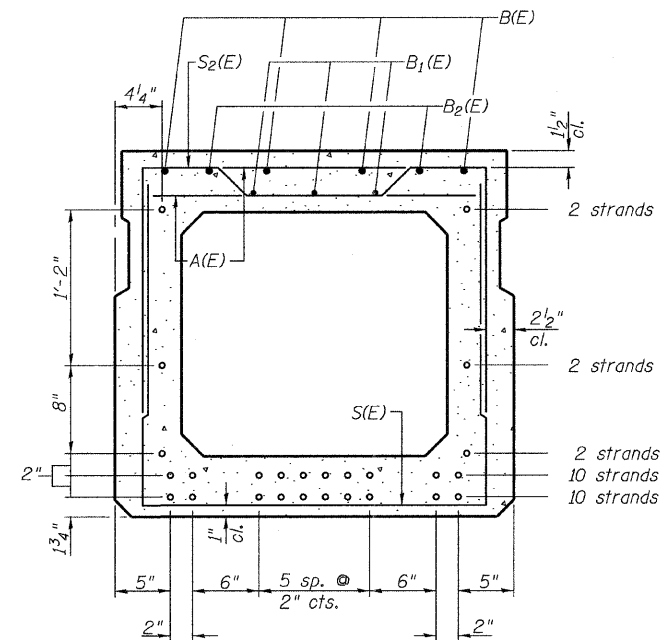


SECTION C-C

**Rail post anchor devices (Sheet 6 of 10) to be cast into exterior face of outside beams.



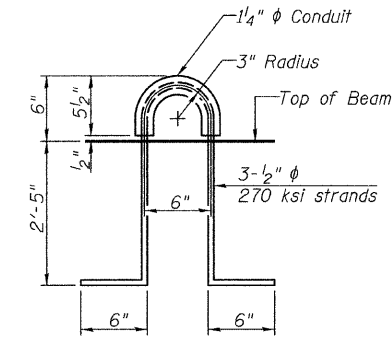
SECTION A-A
(Showing dimensions)



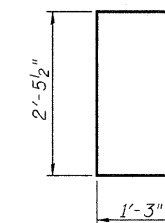
SECTION A-A

26-1/2" Strands Each Strand Stressed to 30,900 Lbs.
10-Strands 1 3/4" up, 10-Strands 3 3/4" up,
2-Strands 5 3/4" up, 2-Strands 1'-1 3/4" up, 2-Strands 2'-3 3/4" up

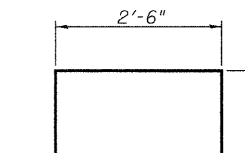
Note: Place the number of strands specified in each row symmetrically about the centerline of beam in the permissible strand locations shown.



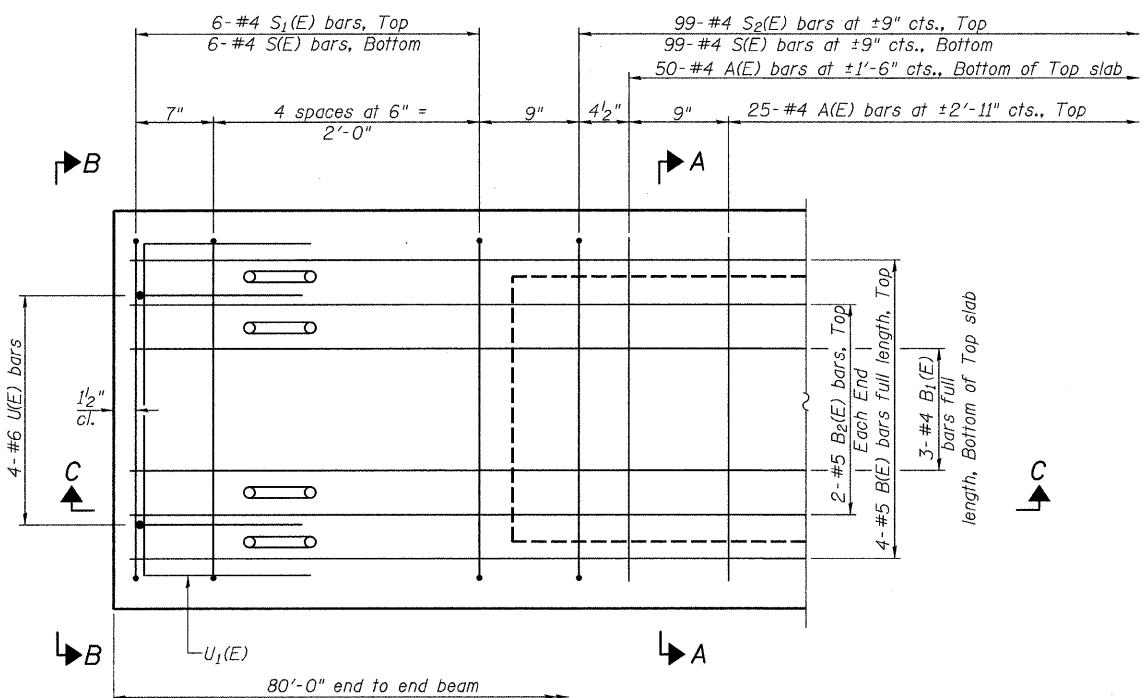
LIFTING LOOP DETAIL



BAR U(E)

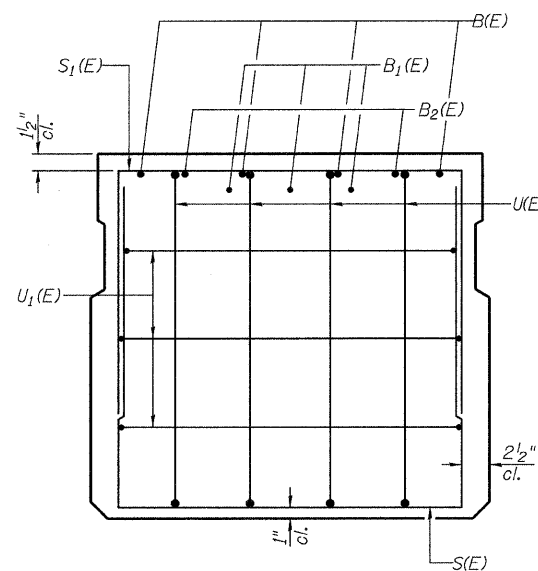


BAR U1(E)

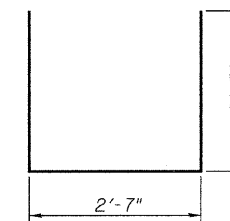


PLAN VIEW

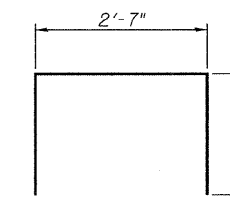
Note: Spacing of S(E) and S2(E) bars may be adjusted up to 4" in the immediate area of the transverse tie diaphragms to miss the block outs for the transverse ties.



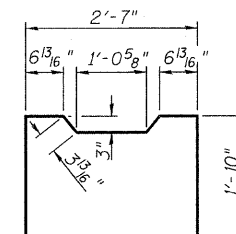
VIEW B-B



BAR S(E)



BAR S1(E)



BAR S2(E)

BAR LIST - ONE BEAM ONLY

(For information only)

Bar	No.	Size	Length	Shape
A(E)	75	#4	2'-7"	—
B(E)	4	#5	*79'-9"	—
B1(E)	3	#4	*79'-9"	—
B2(E)	4	#5	16'-3"	—
S(E)	111	#4	7'-5"	—
S1(E)	12	#4	6'-3"	—
S2(E)	99	#4	6'-6"	—
U(E)	8	#6	5'-0"	—
U1(E)	6	#4	5'-0"	—

* Total Length, Lap as necessary

Note: See sheet 4 of 10 for additional details and Bill of Material.

SUPERSTRUCTURE DETAILS - SPAN 2

MASON COUNTY

SECTION 07-00032-01-BR

C.H. 3 OVER QUIVER CREEK

SHEET NO. 5 10 SHEETS	ROUTE NO.	SECTION	COUNTY	TOTAL SHEETS	SHEET NO.
	CH 3	07-00032-01-BR	MASON	21	11
S.N. 063-3011			CONTRACT NO. 93505		
FED. ROAD DIST. NO. 7 ILLINOIS			FED. AID PROJECT BRS-0568(102)		