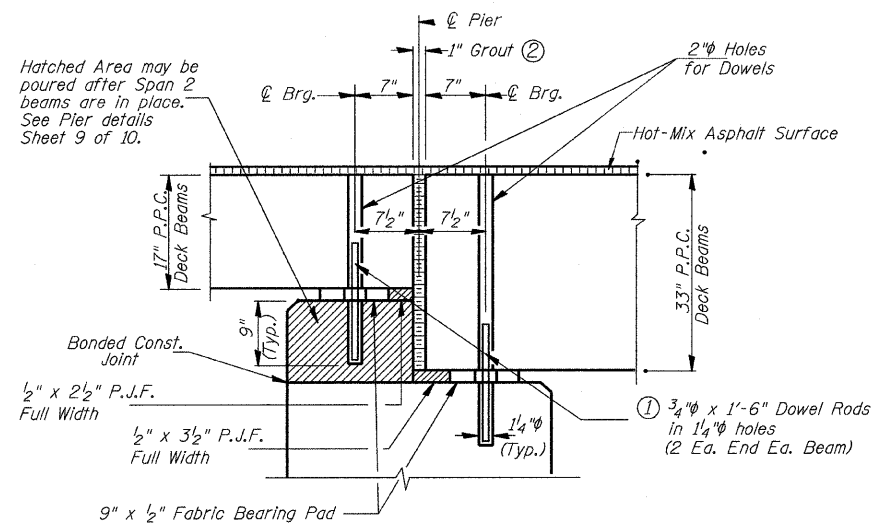
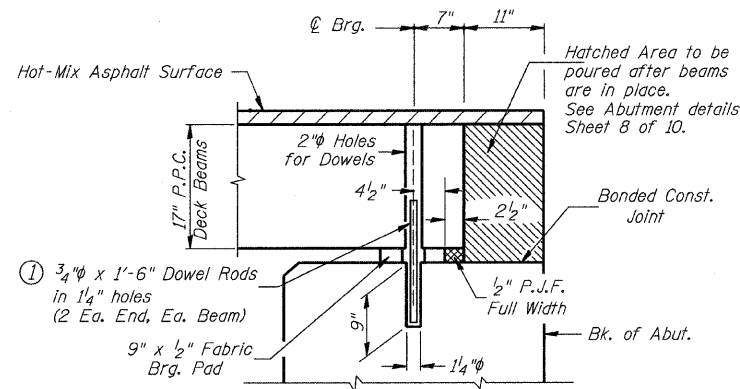


RAIL POST SPACING

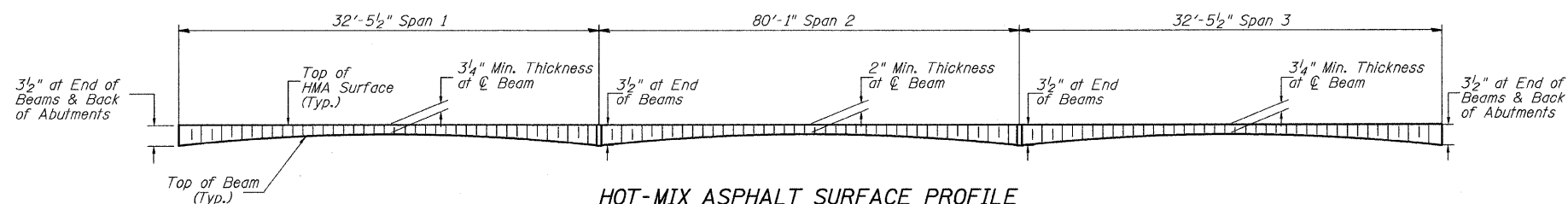


SECTION THRU PIERS



SECTION THRU ABUTMENTS

- ① Dowel Rods to be grouted after beams are in place and allowed to cure (Min. 24 hr.) prior to grouting the shear keys.
- ② 1" Joint shall be packed with a very dry mix of 2:1 sand and P.C. mortar. 1" Dimension may vary plus or minus to accommodate tolerance in beam lengths.



HOT-MIX ASPHALT SURFACE PROFILE
Includes Waterproofing Membrane System

**RAIL POST SPACING AND
SUPERSTRUCTURE DETAILS
MASON COUNTY
SECTION 07-00032-01-BR
C.H. 3 OVER QUIVER CREEK**

SHEET NO. 7 10 SHEETS	ROUTE NO.	SECTION	COUNTY	TOTAL SHEETS	SHEET NO.
	CH 3	07-00032-01-BR	MASON	21	13
	S.N. 063-3011		CONTRACT NO. 93505		
FED. ROAD DIST. NO. 7 ILLINOIS			FED. AID PROJECT BRS-0568(102)		