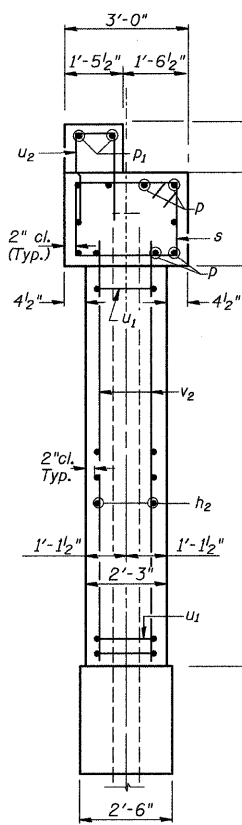
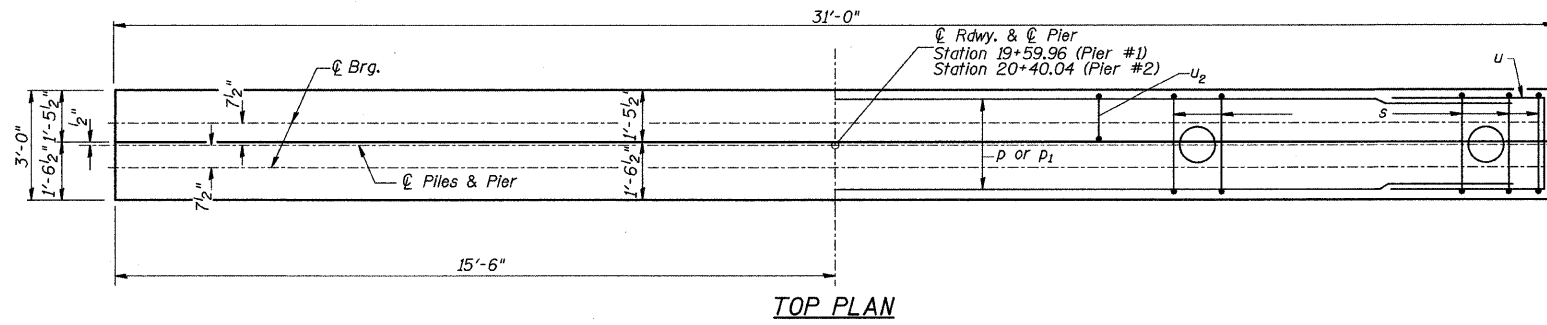
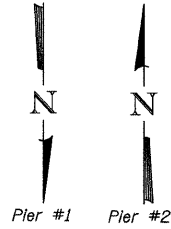
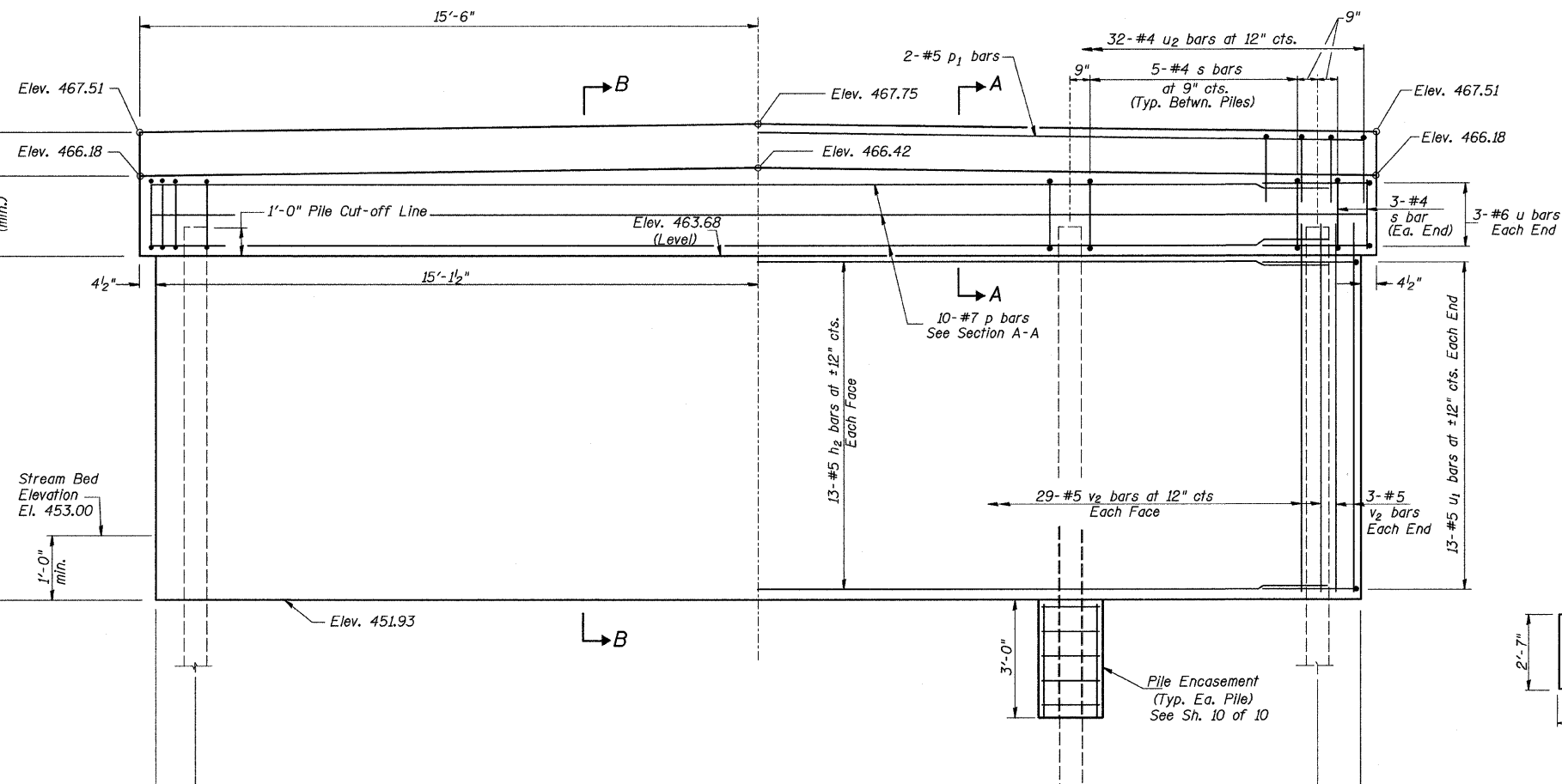


NOTES:
All edges shall have standard
3/4" chamfer.

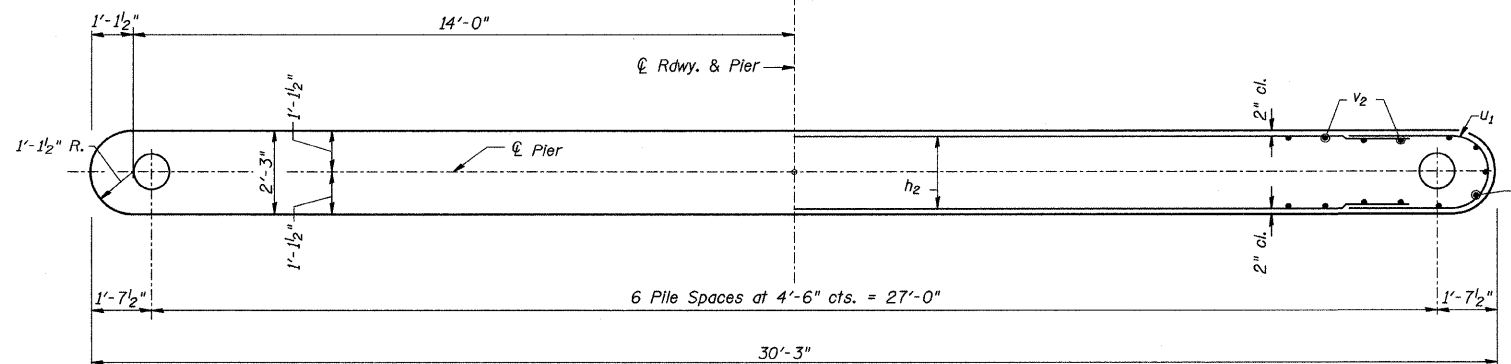


SECTION B-B



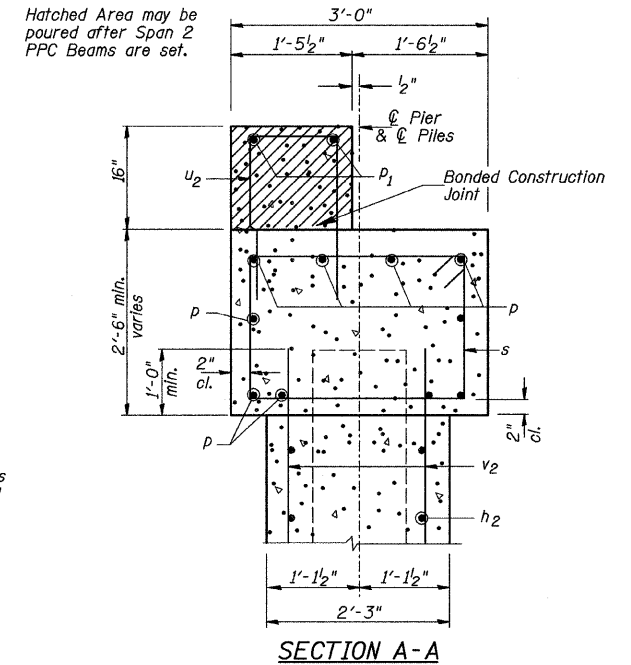
ELEVATION

(Looking South-Pier #1)
(Looking North-Pier #2)



PILE DATA

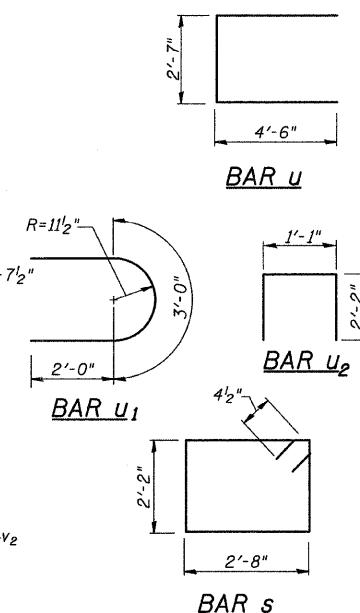
Type & Size: Metal Shells-14"x0.312" walls
w/ pile shoes
Nominal Required Bearing: 460 kips
Factored Resistance Available: 230 kips
Est. Length: 31' Pier #1
38' Pier #2
No. Req'd.: 14 (Includes 1 Test
Pile at Each Pier)



SECTION A-A

**TWO PIERS
BILL OF MATERIAL**

BAR	NO.	SIZE	LENGTH	SHAPE
h ₂	52	#5	27'-8"	—
p	20	#7	30'-9"	—
p ₁	4	#5	30'-9"	—
s	72	#4	10'-5"	□
u	12	#6	11'-7"	□
u ₁	52	#5	7'-0"	□
u ₂	64	#4	5'-5"	□
v ₂	128	#5	12'-7"	—
Concrete Structures			CU YD	73.7
Reinforcement Bars			POUND	5,890
Structure Excavation			CU YD	15
Furnishing Metal Shell Piles 14"x0.132"			FOOT	414
① Driving Piles			FOOT	414
① Test Pile Metal Shells			EACH	2
Pile Shoes			EACH	14
Concrete Encasement			CU YD	6.0
① Underwater Structure Excavation Protection, Location 1			EACH	1
① Underwater Structure Excavation Protection, Location 2			EACH	1
① See Special Provisions				



SHEET NO. 9 10 SHEETS	ROUTE NO.	SECTION	COUNTY	TOTAL SHEETS	SHEET NO.
	CH 3	07-00032-01-BR	MASON	21	15
	S.N. 063-3011		CONTRACT NO. 93505		
FED. ROAD DIST. NO. 7 ILLINOIS			FED. AID PROJECT BRS-0568(102)		

**PIERS
MASON COUNTY
SECTION 07-00032-01-BR
C.H. 3 OVER QUIVER CREEK**