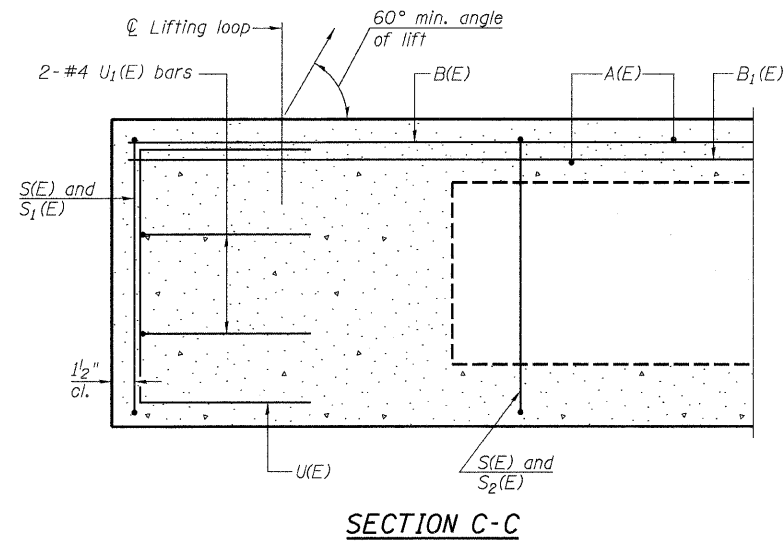
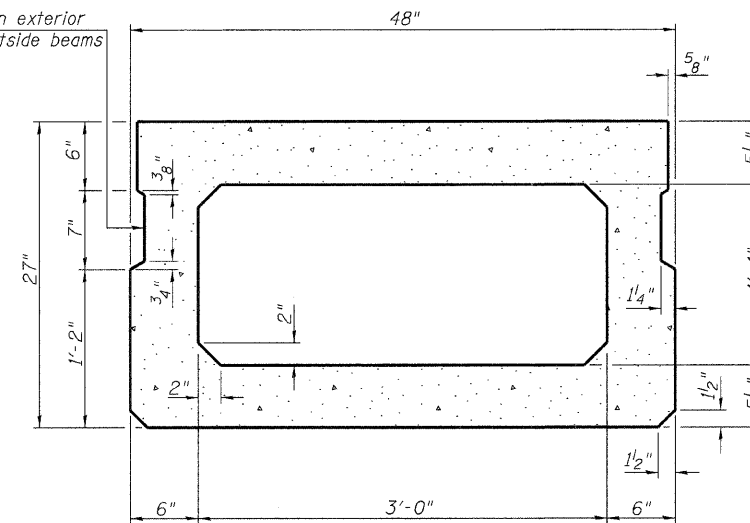


STATE OF ILLINOIS
DEPARTMENT OF TRANSPORTATION

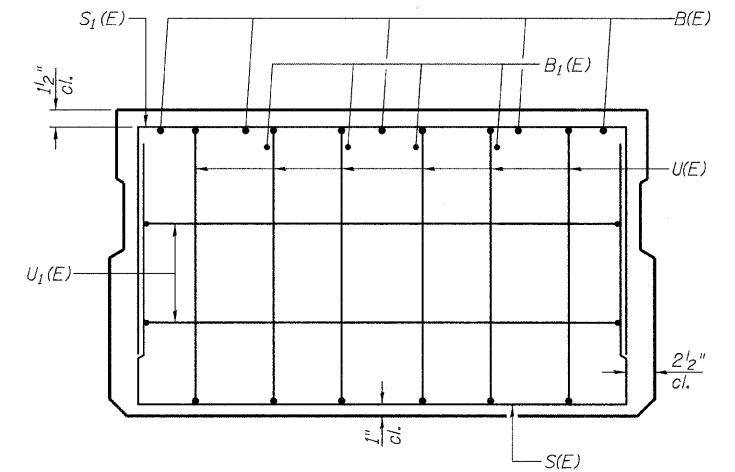


SECTION C-C

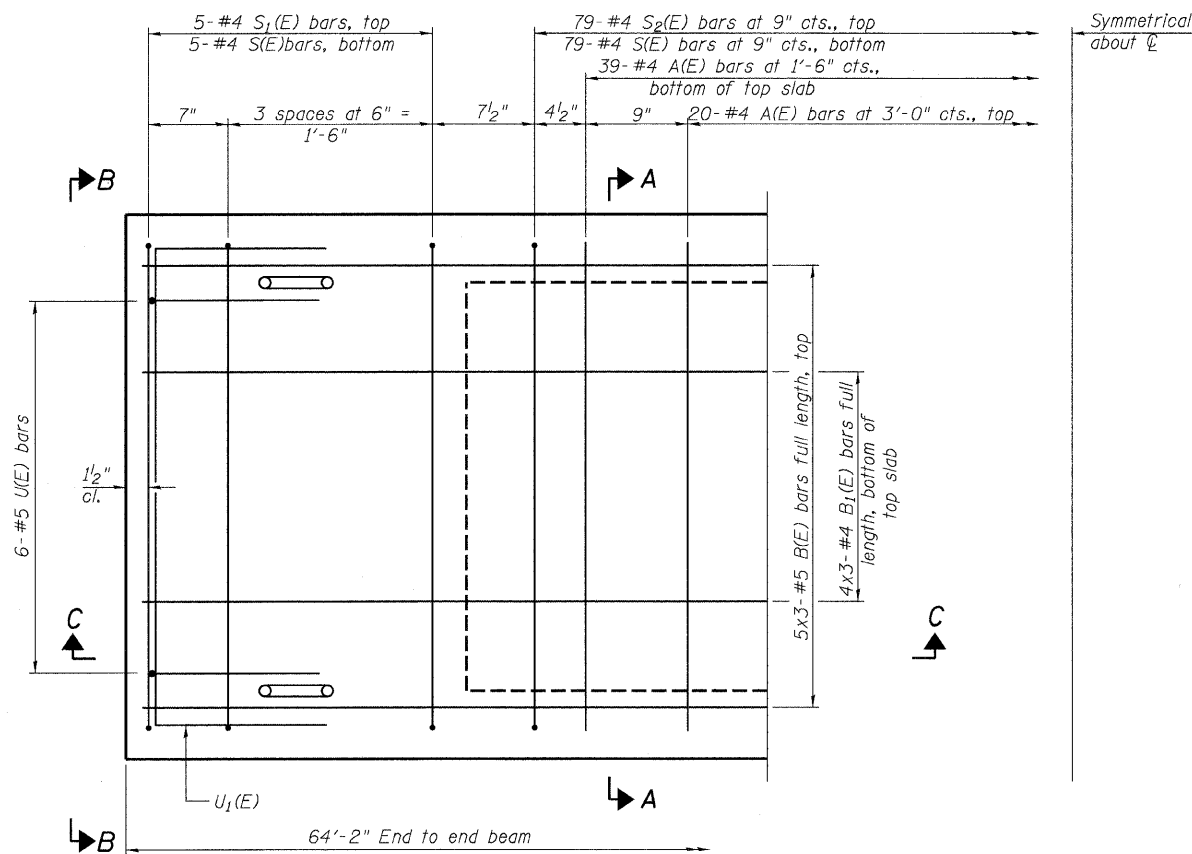
Omit key on exterior face of outside beams



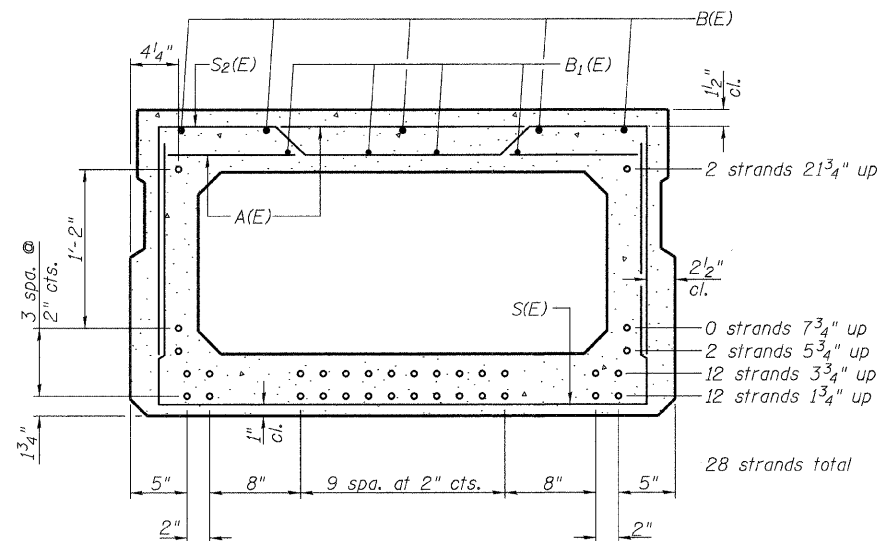
SECTION A-A
(Showing dimensions)



VIEW B-B



PLAN VIEW



SECTION A-A

(Showing reinforcement and permissible strand locations)

Note: Place the number of strands specified in each row symmetrically about the centerline of beam in the permissible strand locations shown.

BAR LIST
ONE BEAM ONLY

(For information only)

Bar	No.	Size	Length	Shape
A(E)	59	#4	3'-7"	—
B(E)	15	#5	23'-6"	—
B1(E)	12	#4	22'-6"	—
S(E)	89	#4	7'-5"	⌋
S1(E)	10	#4	6'-11"	⌋
S2(E)	79	#4	7'-2"	⌋
U(E)	12	#5	4'-6"	⌋
U1(E)	4	#4	6'-0"	⌋

Notes: See sheet 3 of 6 for additional details and Bill of Material.

Bars designated (E) shall be epoxy coated.

Note: Spacing of S(E) and S2(E) bars may be adjusted up to 4" in the immediate area of the transverse tie diaphragms to miss the block outs for the transverse ties.
Bars indicated thus 4x3-#5 etc. indicates 4 lines of bars with 3 lengths per line.

DESIGNED	-
CHECKED	-
DRAWN	-
CHECKED	-

PD-2748-0

10-1-08

27" X 48" PPC DECK BEAM DETAILS
STRUCTURE NO. 017-3059

SHEET NO. 2 6 SHEETS	F.A.S. RTE.	SECTION	COUNTY	TOTAL SHEETS	SHEET NO.
	696	08-00092-00-BR	CRAWFORD	10	6
CONTRACT NO. 95598					
FED. ROAD DIST. NO. 7 ILLINOIS FED. AID PROJECT					

10/21/2009 RAAI #51009