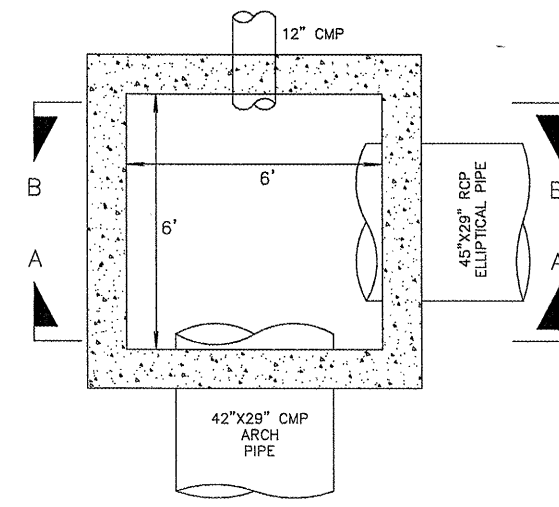
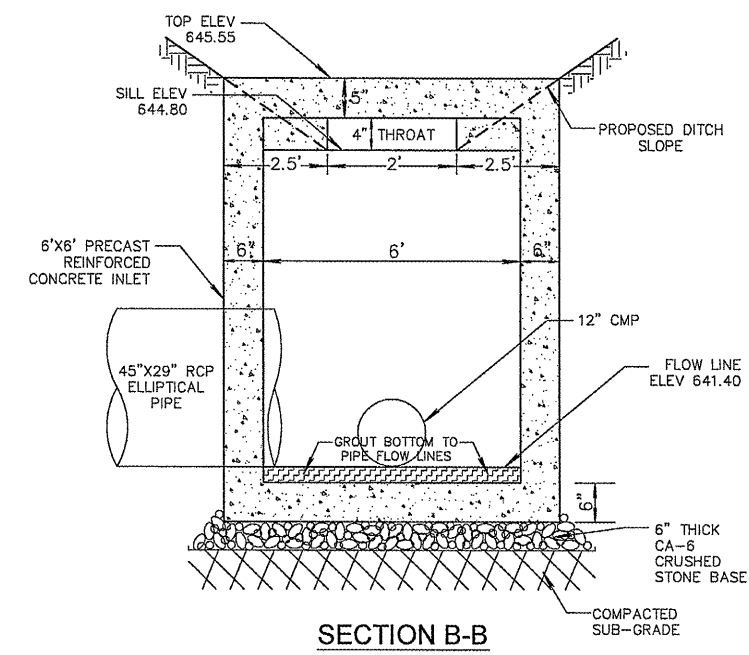


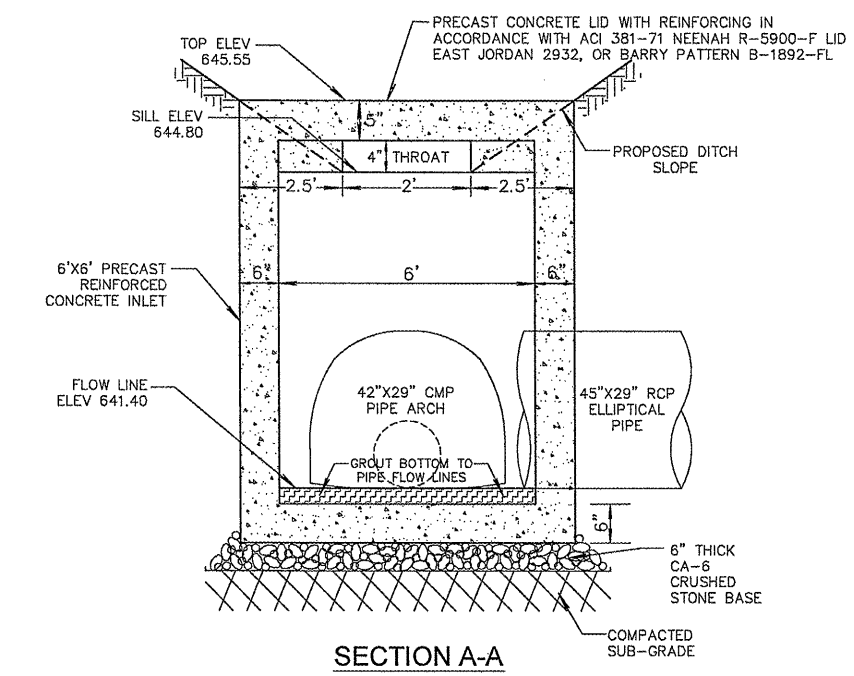
FAS RTE.	SECTION	COUNTY	TOTAL SHEETS	SHEET NO.
748	06-00053-00 RS	JERSEY	110	42
STA. NA		TO STA. NA		
CONTRACT # 97375		PROJECT NO. RS-0748(109)		



PLAN VIEW



SECTION B-B



SECTION A-A

INLET SPECIAL DETAIL
(6'X6' INSIDE DIMENSION)

REVISIONS	DATE

ILLINOIS DEPARTMENT OF TRANSPORTATION

DETAILS

DELHI ROAD
F.A.S. ROUTE 748
SECTION 06-00053-00-RS
JERSEY COUNTY