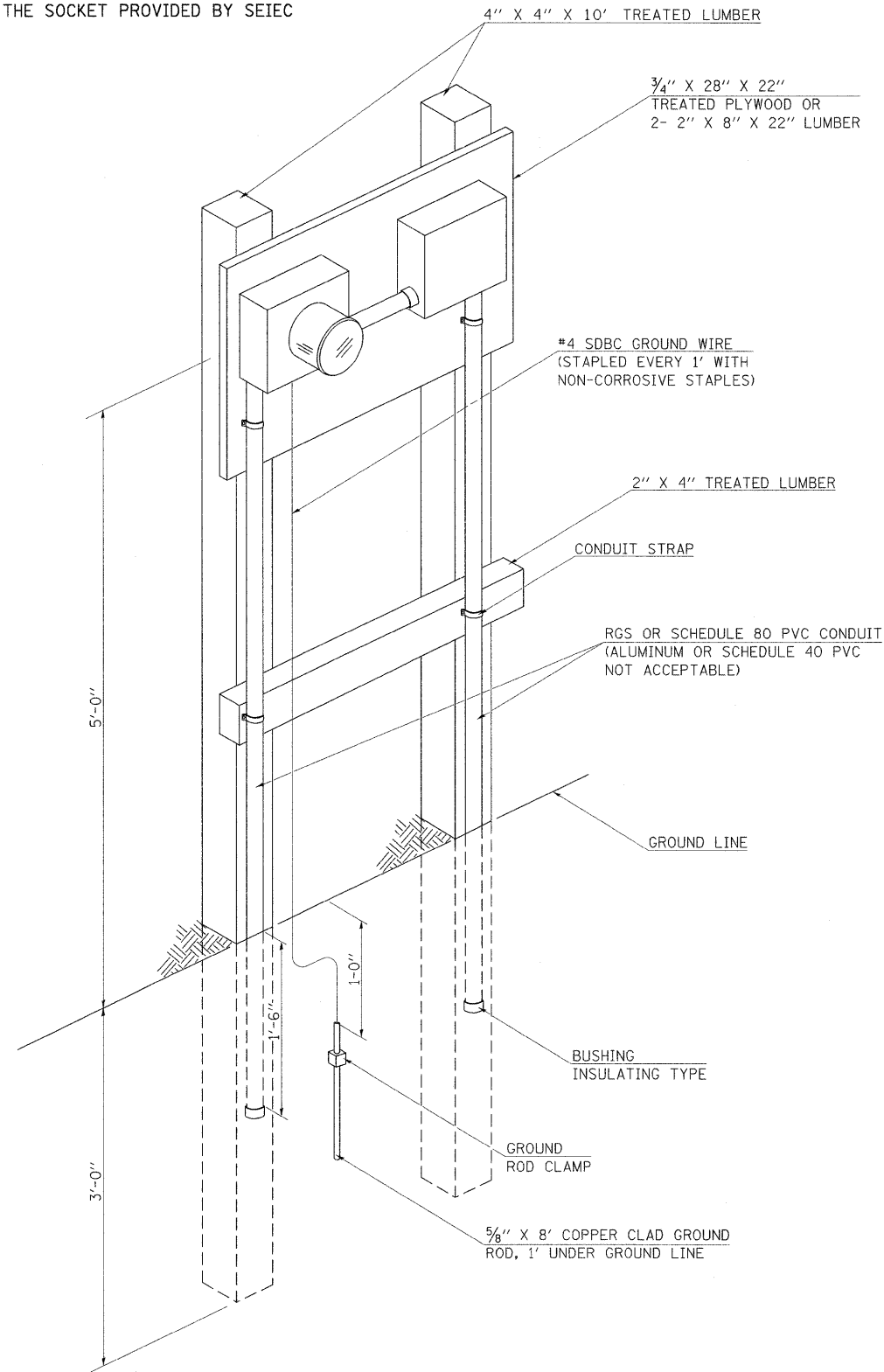
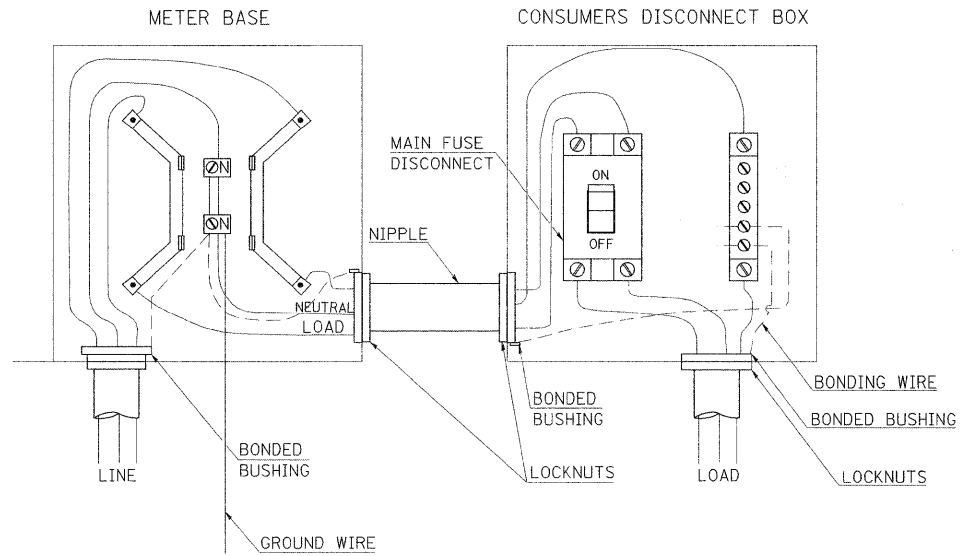


SEIEC WILL NOT CONNECT ANY SOCKET OTHER THAN THE SOCKET PROVIDED BY SEIEC

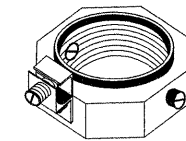


WATER PIPE AND WATER PIPE FITTINGS ARE NOT ACCEPTABLE



CAPACITY AMPS	WIRE SIZE THHN		CONDUIT SIZE	NO. OF WIRES	BONDING CONDUCTOR	
	COPPER	ALUMINUM			CU THHN	AL THHN
100	2/0	1/0	2"	3+GRD	6	2
200	3/0	4/0	2 1/2"	3+GRD	6	2
325	350 MCM	N.A.*	3"	3+GRD	4	N.A.*

ALL 3 WIRES TO BE INSULATED TYPE THIN OR EQUIVALENT  
 \* ALL 325 AMP SERVICES SHALL BE COPPER CONDUCTORS ONLY



INSULATED BONDING AND GROUNDING BUSHING

**NOTES:**

- METER BASES ARE FURNISHED WITHOUT CHARGE TO MEMBERS WHO ARE RESPONSIBLE FOR THE PROPER INSTALLATION AND MAINTENANCE OF THE DEVICE. THE MEMBER IS TO FURNISH ALL MATERIAL EXCEPT THE METER BASE.
- TIE GROUND AND NEUTRL LEADS TO A COMMON POINT IN A METER BOX.
- SEIEC WILL NOT MAKE ANY CONNECTIONS UNTIL COMPLETE SERVICE IS INSTALLED INCLUDING LOAD WIRES AND MAIN BREAKER PANEL.

**INSTALLATION CHECKLIST**

METER PEDESTAL FRAME IS CONSTRUCTED	
GROUND ROD AND GROUND WIRE INSTALLED	
ALL BONDING BUSHINGS AND JUMPERS ARE INSTALLED	
LOAD WIRES AND MAIN BREAKER PANEL ARE INSTALLED	
CONTACT SEIEC TO INFORM THAT SERVICE IS INSTALLED	