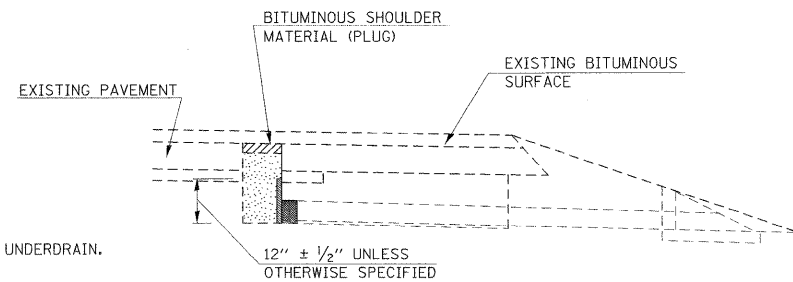
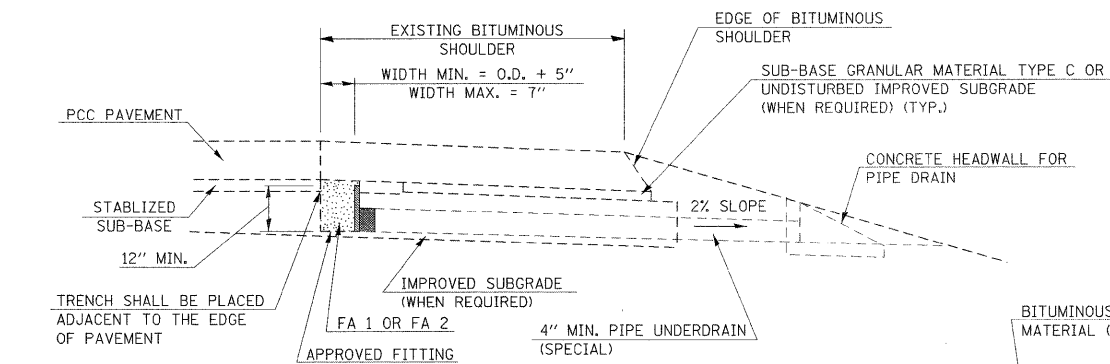
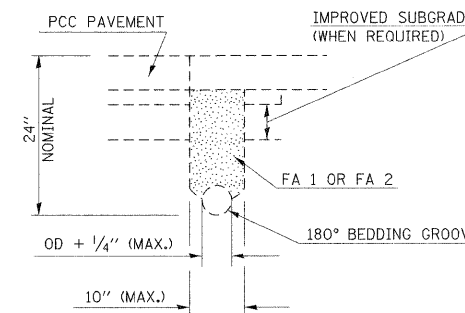
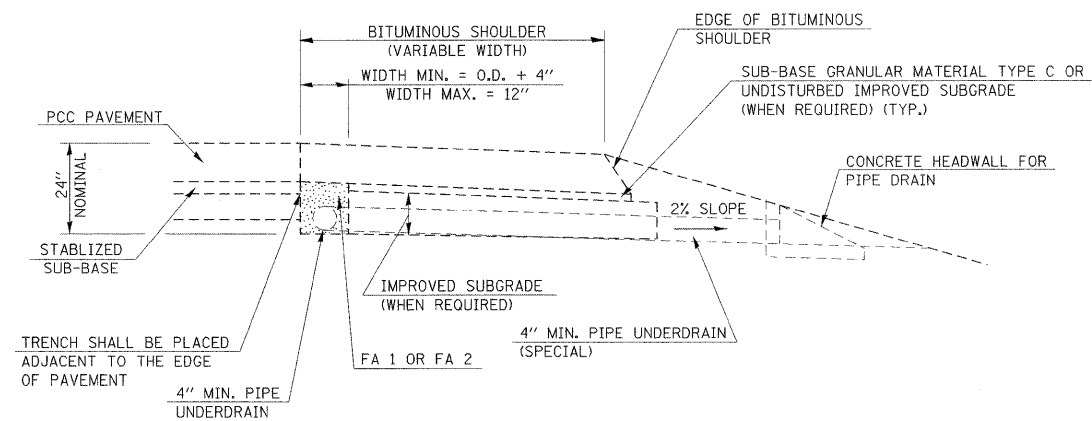
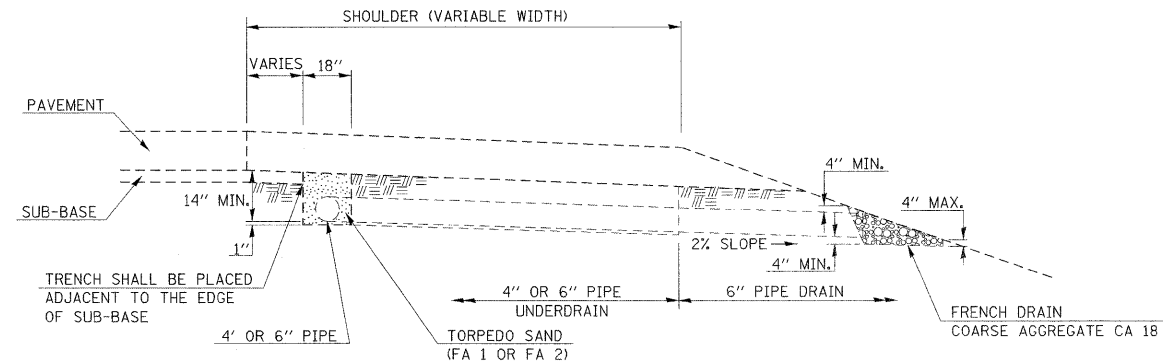


PIPE UNDERDRAIN REMOVAL (SPECIAL) & CONCRETE HEADWALL FOR PIPE UNDERDRAIN REMOVAL

EXISTING UNDERDRAIN TYPES



NOTES:

1. EXISTING UNDERDRAINS MAY CONSIST OF 4" CIRCULAR, 6" CIRCULAR, OR DRAINAGE MAT UNDERDRAIN. LOCATIONS ARE APPROXIMATE.
2. ALL EXISTING UNDERDRAINS, OUTLETS, AND CONCRETE HEADWALLS SHALL BE REMOVED. CONCRETE HEADWALLS SHALL BECOME THE PROPERTY OF THE CONTRACTOR.
3. THE TRENCH REMAINING FROM THE PIPE UNDERDRAIN REMOVAL SHALL BE BACKFILLED WITH SUB-BASE GRANULAR MATERIAL, TYPE A IN AREAS WHICH ARE BENEATH PROPOSED PAVEMENT AND PROPOSED SHOULDER. THE SUB-BASE GRANULAR MATERIAL SHALL NOT BE PAID FOR SEPARATELY BUT SHALL BE INCLUDED IN THE COST OF THE PIPE UNDERDRAIN REMOVAL.

FILE NAME =	USER NAME = sheperdgd	DESIGNED -	REVISED -	STATE OF ILLINOIS DEPARTMENT OF TRANSPORTATION	PROJECT DETAILS	F.A.P. RTE.	SECTION	COUNTY	TOTAL SHEETS	SHEET NO.
ct:\pw_work\PWIDOT\SHEPARCGD\dms47330\F	datum13-shr-standards.dgn	DRAWN -	REVISED -			331	(1-2)N-2,R;(1X-1)N-3,R-2	WILLIAMSON	202	116
	PLOT SCALE = 50,0000' / IN.	CHECKED -	REVISED -							
	PLOT DATE = 10/14/2009	DATE -	REVISED -							
						SCALE: _____ SHEET NO. _____ OF _____ SHEETS		STA. _____ TO STA. _____		ILLINOIS FED. AID PROJECT
						CONTRACT NO. 98857				