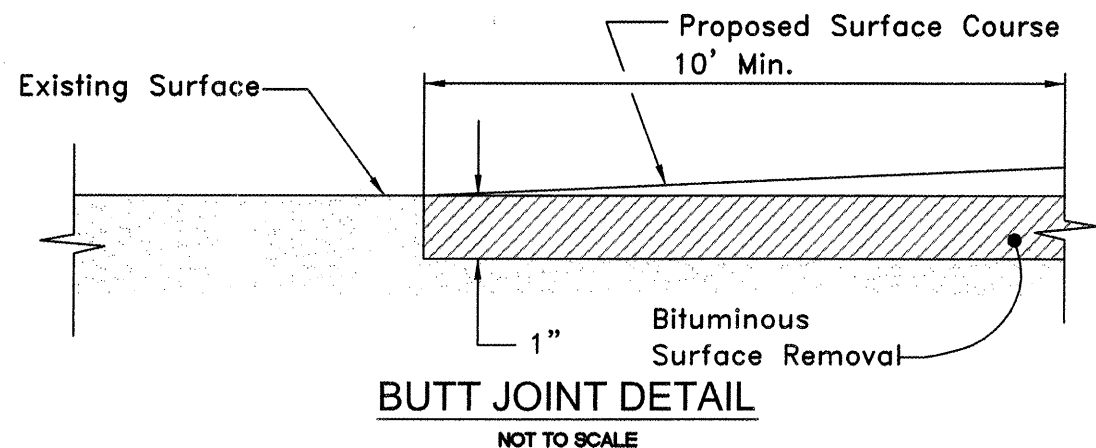
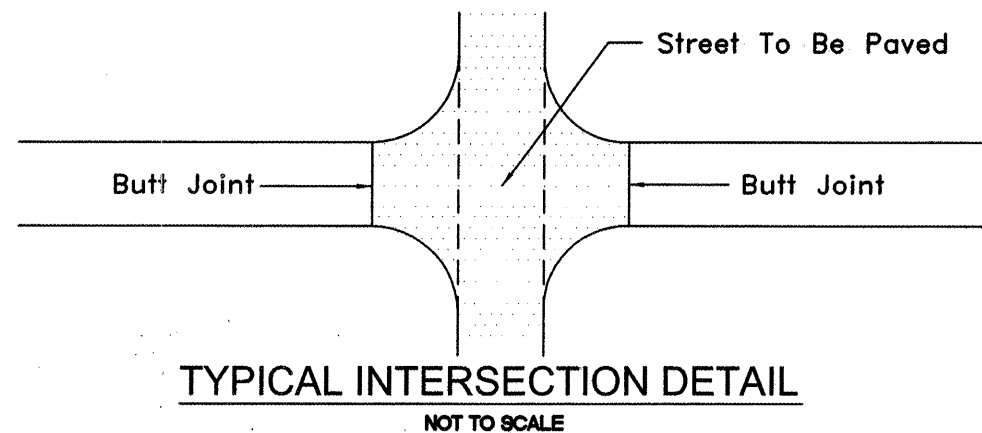
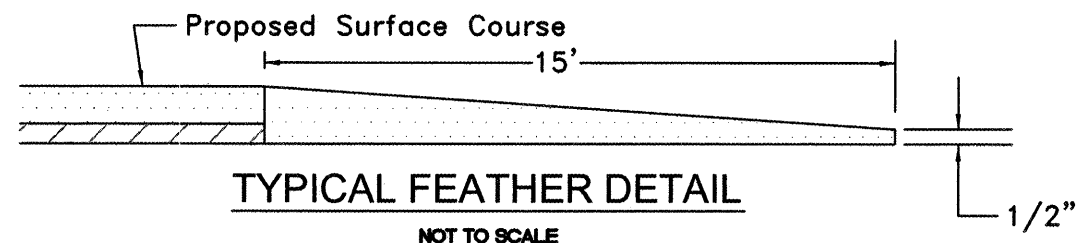


SUMMARY OF QUANTITIES

CODE NO.	ITEM	UNIT	NON - ARRA PARTICIPATING	ARRA PARTICIPATING	TOTAL QUANTITY
*28100807	STONE DUMPED RIPRAP, CLASS A4	TON	0	20	20
40600100	BITUMINOUS MATERIALS (PRIME COAT)	GALLON	100	800	900
40600300	AGGREGATE (PRIME COAT)	TON	5	15	20
40600635	LEVELING BINDER (MACHINE METHOD), N70	TON	0	60	60
40600982	HOT-MIX ASPHALT SURFACE REMOVAL - BUTT JOINT	SQ YD	0	150	150
40603315	HOT-MIX ASPHALT SURFACE COURSE, MIX "C", N70	TON	90	900	990
42400800	DETECTABLE WARNINGS	SQ FT	0	6	6
*44000198	HOT-MIX ASPHALT SURFACE REMOVAL, VARIABLE DEPTH	SQ YD	0	4550	4550
*44200934	CLASS B PATCHES, TYPE II, 8 INCH	SQ YD	120	845	965
44300100	AREA REFLECTIVE CRACK CONTROL TREATMENT	SQ YD	975	7025	8000
54200451	PIPE CULVERTS, TYPE 1 RCCP 36"	FOOT	0	8	8
54213681	PRECAST REINFORCED CONCRETE FLARED END SECTIONS 36"	EACH	0	1	1
*550A0050	STORM SEWERS, CLASS A, TYPE 1 12"	FOOT	0	30	30
*60240200	INLETS, TYPE A, SPECIAL	EACH	0	3	3
60255500	MANHOLES TO BE ADJUSTED	EACH	0	1	1
*60262510	INLETS TO BE ADJUSTED WITH NEW FRAME AND GRATE (SPECIAL)	EACH	0	2	2
60265700	VALVE VAULTS TO BE ADJUSTED	EACH	0	5	5
67100100	MOBILIZATION	L SUM	0	1	1

NON-ARRA LIMITS, SLOAN STREET FROM 0+40 to 4+11



Route	Section	County	Total Sheets	Sheet No.
9550/9556	09-00086-00-RS	SALINE	12	2
City of Harrisburg		Sloan Street		

CONTRACT NO. 99401

