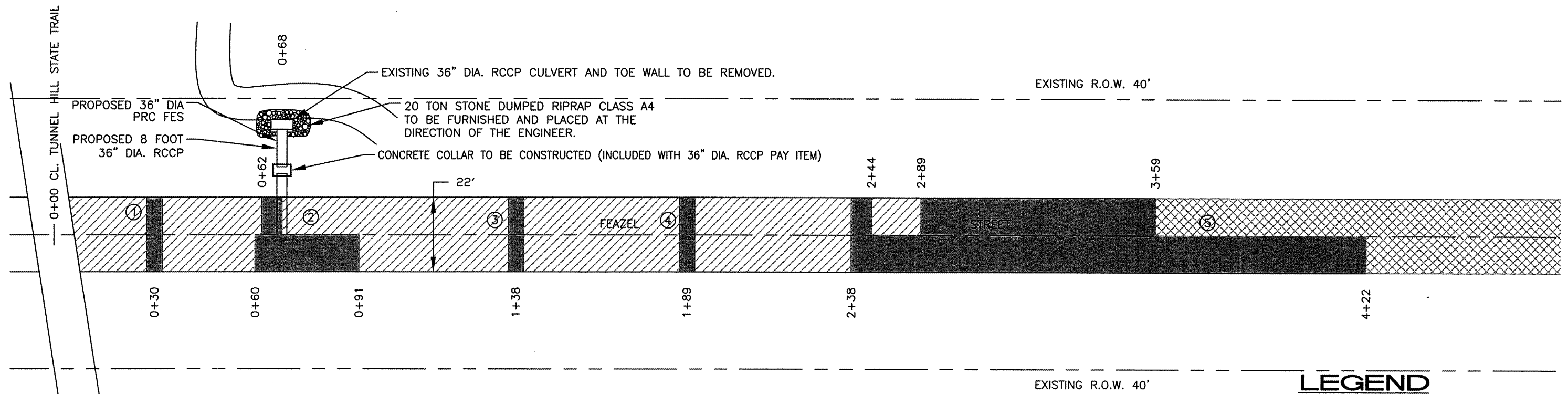
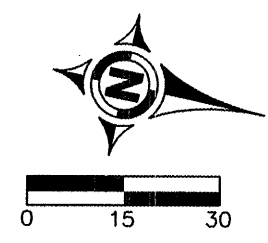
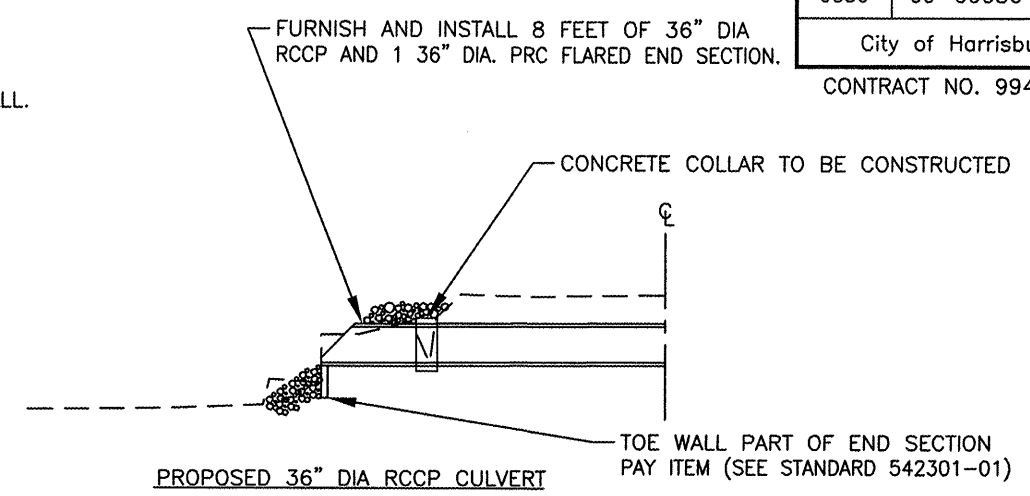
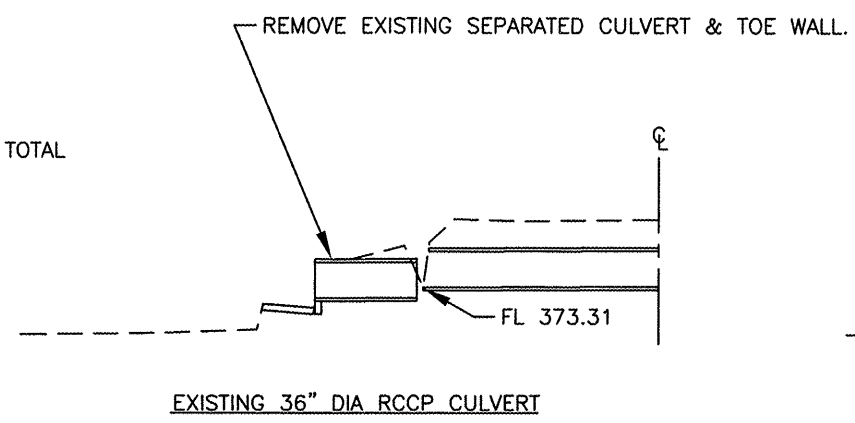


Route	Section	County	Total Sheets	Sheet No.
9556	09-00086-00-RS	SALINE	12	10
City of Harrisburg		Feazel Street		

CONTRACT NO. 99401

CLASS B PATCHES, TYPE II, 8 INCH		
AREA #	LOCATION	AMOUNT TO BE REMOVED
①	0+30	11.0 SQ. YD.
②	0+60 TO 0+91	45.2 SQ. YD.
③	1+38	11.0 SQ. YD.
④	1+89	11.0 SQ. YD.
⑤	2+38 TO 4+22	281.1 SQ. YD.

359.3 SQ. YD. TOTAL



LEGEND

- CLASS B PATCHES, TYPE II, 8 INCH
- AREA OF HMA OVERLAY
- AREA OF HMA SURFACE REMOVAL AND HMA OVERLAY
- MANHOLE TO BE ADJUSTED
- MANHOLE ADJUSTMENT, SPECIAL
- WATER VALVE TO BE ADJUSTED
- BUTT JOINT TO BE CONSTRUCTED

FEAZEL STREET - TUNNEL HILL STATE TRAIL TO STA. 4+22
STATION 0+00 TO 4+50